

MOUNTING KIT 1

FLANGE B

COMPATIBLE WITH: L370, L372, L379



MK1 | FLANGE B

Mounting kit designed to assist concrete installation on vertical and downward-facing surfaces.

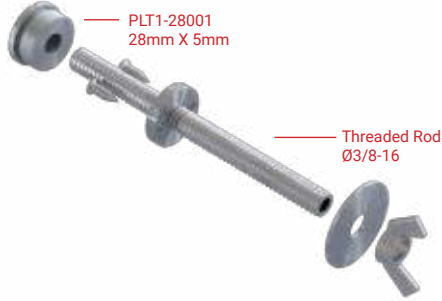
pg. 3 MK1-B (compatible with L370, L372, L379)

MK1-B

Insert Diameter: 1-1/4" (29mm)

In-grade | For ceilings, walls, and stairs

Mounting Kit Exploding Views *(Back box not included)*



MK1-B



MK1-B shown with EBX-OCT1-BSMA



MK1-B shown with EBX-OCT1-BSMA and Plywood Form

Wall-Mount Installation with EBX-OCT1-BSMA using MK1-B



Compatible Fixtures



L370 L372 L379



Back Box Options | Flange B

Designed to set up and hold luminaires in place to prepare for concrete pour and paving stone installation, the back boxes can be cast into earth, gravel, or concrete.

pg. 5 EBX-OCT1-BSMA (compatible with L370, L372)

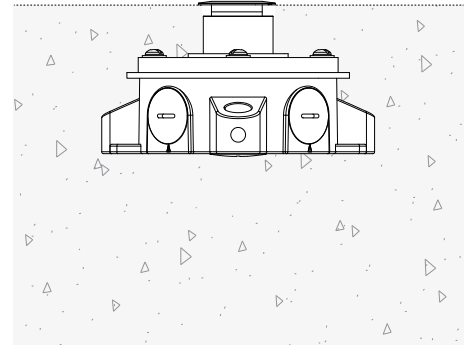
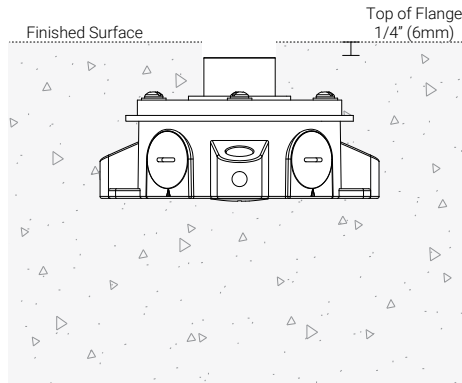
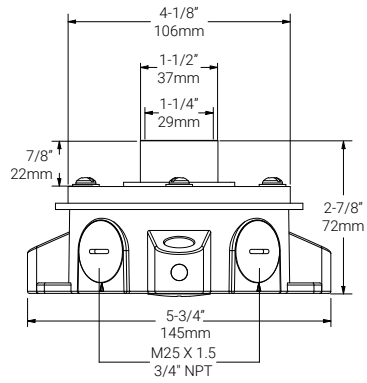
pg. 6 EBX-SGB1-BSMA (compatible with L370, L372)

EBX-OCT1-BSMA (or BSS6)

Insert Diameter: 1-1/4" (29mm) | Finish Options: MA – matte clear anodized or S6 – stainless steel 316

In-grade | For concrete pour and paving stone installation

Concrete Pour Installation Drawing



Concrete Pour Installation with EBX-OCT1-BSMA using MK1-B (sold separately)



Compatible Fixtures



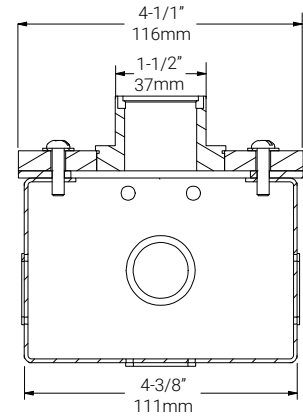
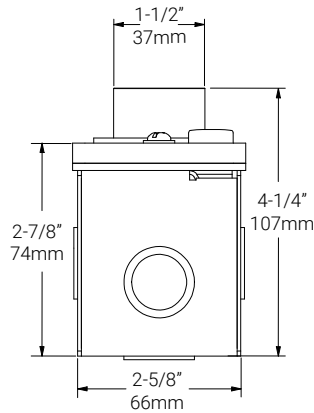
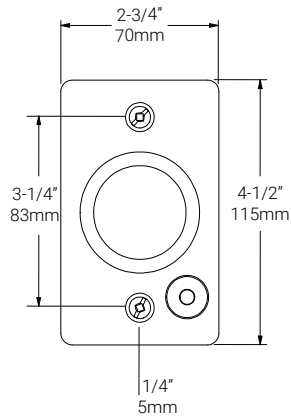
L370 L372 L379

EBX-SGB1-BSMA

Insert Diameter: 1-1/4" (29mm) | MA – matte clear anodized

In-grade | For concrete pour and paving stone installation

Concrete Pour Installation Drawing



Concrete Pour Installation with EBX-SGB1-BSMA using MK1-B (sold separately)



Compatible Fixtures



L370 L372 L379