

MOUNTING KIT 3

FLANGE B

COMPATIBLE WITH: L370, L372



MK3 | FLANGE B

Mounting kit designed to set up and hold luminaires in place to prepare for concrete pour or paving stone installation.

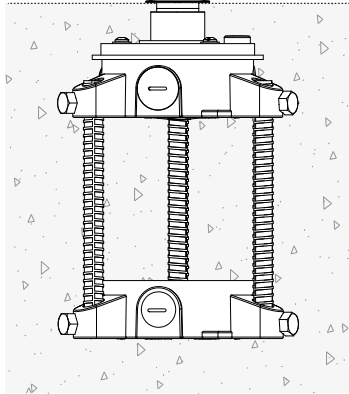
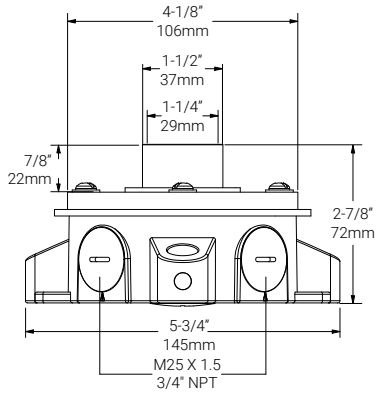
pg. 5 MK3 (compatible with L370, L372)

MK3

Insert Diameter: 1-1/4" (29mm)

In-grade | For driveways and walkways

Mounting Kit 3 *(Back Box and Rebar not included. Recommended rebar size: Ø1/2")*



MK3 shown with EBX-OCT1-BSS6

Concrete Pour Installation with Tile using EBX-OCT1-BSS6 and MK3



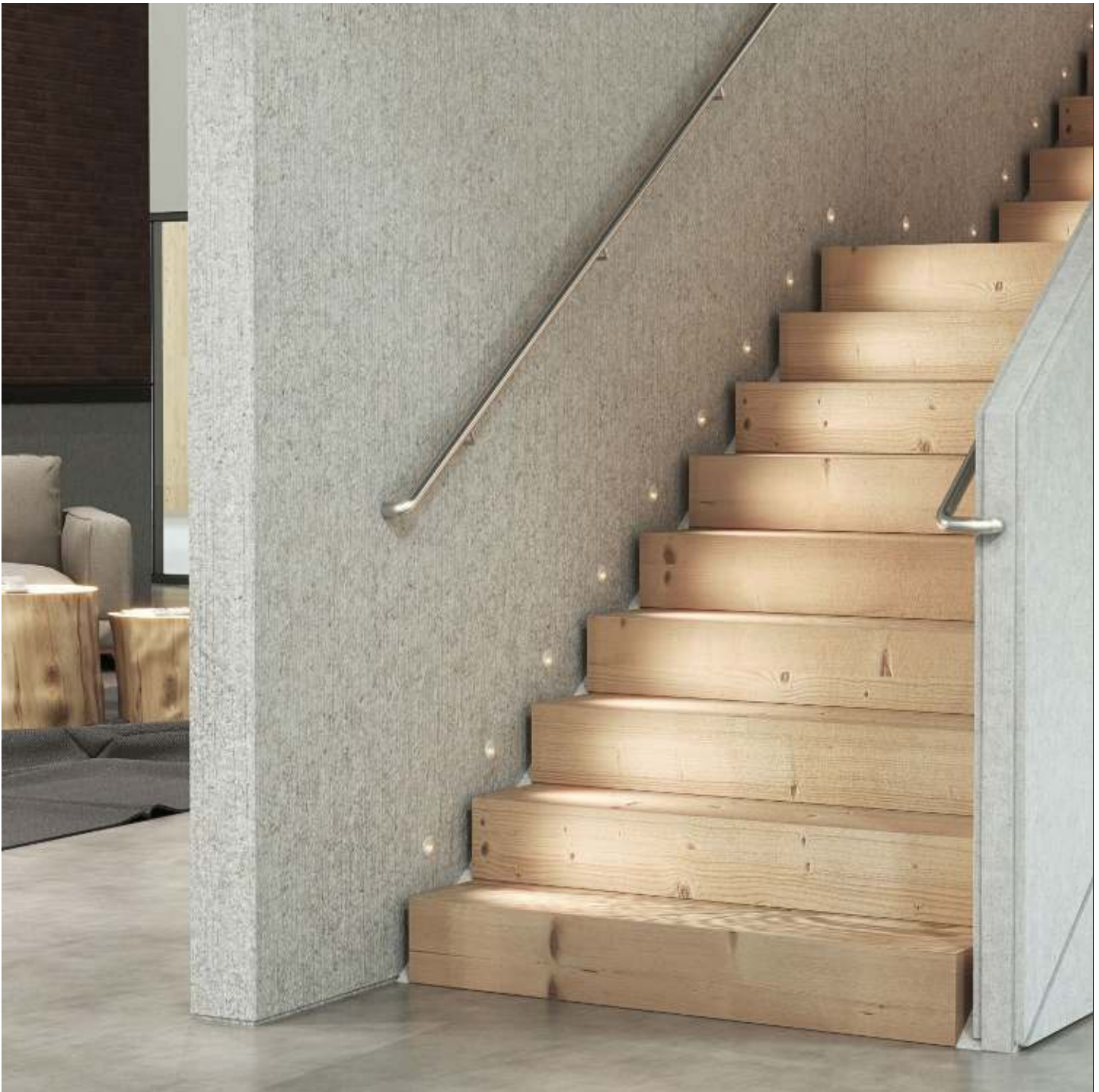
Concrete Pour Installation using EBX-OCT1-BSS6 with MK3



Compatible Fixtures



L370 L372



Back Box Options | Flange B

Designed to set up and hold luminaires in place to prepare for concrete pour and paving stone installation, the back boxes can be cast into earth, gravel, or concrete.

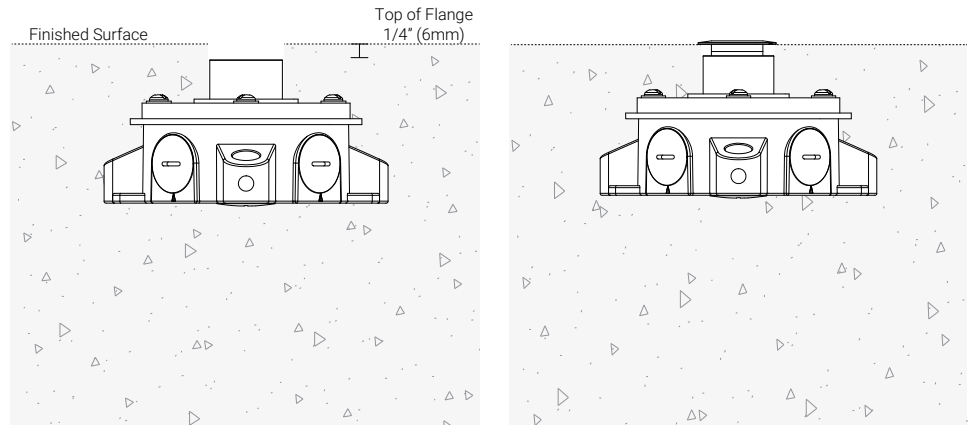
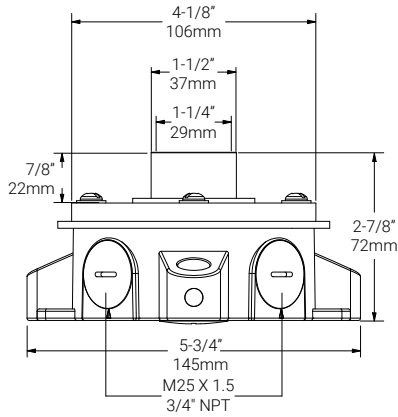
- pg. 5 EBX-OCT1-BSMA (compatible with L370, L372)
- pg. 6 EBX-SGB1-BSMA (compatible with L370, L372)

EBX-OCT1-BSMA (or BSS6)

Insert Diameter: 1-1/4" (29mm) | Finish Options: MA – matte clear anodized or S6 – stainless steel 316

In-grade | For concrete pour and paving stone installation

Concrete Pour Installation Drawing



Concrete Pour Installation with EBX-OCT1-BSMA using MK3 (sold separately)



Compatible Fixtures



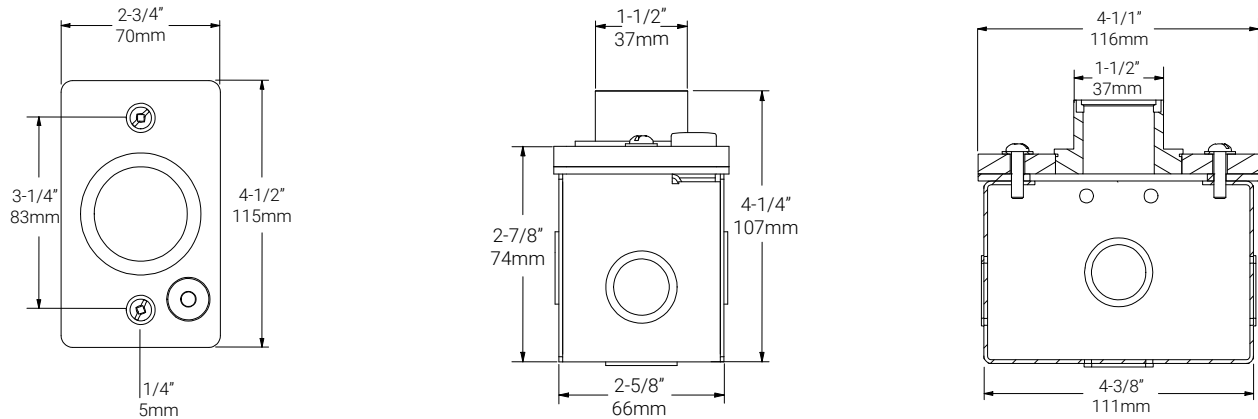
L370 L372

EBX-SGB1-BSMA

Insert Diameter: 1-1/4" (29mm) | MA – matte clear anodized

In-grade | For concrete pour and paving stone installation

Concrete Pour Installation Drawing



Concrete Pour Installation with EBX-SGB1-BSMA



Compatible Fixtures



L370 L372