

# L01

## EXTERIOR

In-grade | For wildlife lighting

- Wet, Damp, and Dry location



### Ordering Information

Clear Form

Date : \_\_\_\_\_

Quantity : \_\_\_\_\_

Project : \_\_\_\_\_

Note : \_\_\_\_\_

Type : \_\_\_\_\_

### Specifications

Luminaire | Example Code: L01-1-AMB-W-F-[ ]-0-MK3-S-S6

Product	Wattage	CCT & CRI	Beam Angle	Lens	Accessories <sup>1</sup> (optional)	Internal Angle Bracket <sup>2</sup>	Mounting Kit <sup>3</sup> (optional)	Flange & Back Box <sup>4</sup>	Trim Finish <sup>6</sup>
<b>L01</b>	<b>1</b>	<b>AMB</b>	<b>W</b>	<b>F</b>					
	1 1W	AMB amber light	W wide flood 120°	F frosted	<b>LM</b> louver, matte anodized <b>LB</b> louver, black anodized <b>HM</b> hex louver, matte anodized <b>HB</b> hex louver, black anodized <b>AB</b> angled louver, black anodized <b>SB</b> straight louver, black anodized <b>QB</b> square louver, black anodized <b>RB</b> ring louver, black anodized	<b>0</b> no angle <b>20</b> 20° angle	<b>MK1</b> vertical surface <b>MK3</b> in-ground	<b>Octagonal Aluminum Back Box with:</b> <b>S</b> standard flange depth: 3-1/2" (89mm) <b>P</b> paving stone flange depth: 5-1/2" (138mm) <sup>5</sup>  <b>Pipe:</b> <b>PIPE</b> 1-1/2" PVC pipe length: 11-13/16" (300mm)  <b>NB</b> no back box or flange	<b>Stainless Steel Finishes:</b> <b>S6</b> stainless steel 316

### System Components (Ordered Separately)

Remote Driver : \_\_\_\_\_

Control System : \_\_\_\_\_

**On/Off | Dimming** ELV or 0-10 dimming.  
**Other options (consult factory)** TRIAC/MLV, DMX, DALI, Casambi, PoE.

### Important Notes

#### Specification

- Louvers will be below the glass cover. Only available when there is no Internal Angle Bracket.
- Internal angle bracket is factory set, and cannot be field adjusted. 5° increments to maximum of 20° without accessories.
- Mounting kit is ordered separately. Please consult factory.
- For components included, refer to Luminaire Construction section. See pg.3 for back box and flange options.
- Paving stone flange is also recommended for a better cement/concrete flow.
- Different finish options are only applicable to trim ring and not for LED module housing. Refer to Appendix or MP Lighting website for complete look of luminaire with different trim finish options.

#### Warranty Notes & Disclaimer

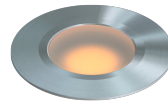
Malfunction and damage to product due to incompatible dimming system or misuse will not be covered under warranty. Consult MP Lighting for recommended drivers. If the fixture has an option to be installed with a dimming control system, consult a dimming system manufacturer with minimum load before installing. MP Lighting reserves the right, at its sole discretion, at any time and without notice, to make design changes to any of our products. Consult MP Lighting website for most updated documentation.

# L01

## EXTERIOR

In-grade | For wildlife lighting

- Wet, Damp, and Dry location



### Performance

Wattage	Forward Current	Power Consumption Budget per fixture (including driver)	LED output (Source)	Fixture Output (Delivered)
1W	350mA	1.3W	110 lm	47 lm

### Application

Environment	Wet / Damp / Dry Location approved. IP 68.
Drive Over Rating	9,700 lbs (4,400 kg)
Mounting	<p><b>Recessed:</b> Designed to be cast into earth, gravel, or concrete or inserted into paving stones or pavers. Included backbox, flange and level for direct burial or casting applications.</p> <p><b>MK1 mounting kit (optional):</b> Recommended for easy installation on vertical surfaces (e.g. stair risers, walls), and downward-facing surfaces (e.g. ceilings, soffits). See "Mounting Options &amp; Dimensions," or visit <a href="#">MK1</a></p> <p><b>MK3 mounting kit (optional):</b> Recommended for thicker concrete slab and paving stone in-ground installation. Custom rectangular electrical box option is available for stair riser &amp; wall installation. See "Mounting Options &amp; Dimensions," or visit <a href="#">MK3</a></p>

### Electrical

Power Supplies	Remote LED drivers (120-277V AC input, <b>constant current output</b> ): Fixtures to be wired in series.
Control	<p><b>On/off control   Dimming:</b> ELV or 0-10V dimming with appropriate drivers.</p> <p><b>Other options (consult factory):</b> TRIAC/MLV, DMX, DALI, Casambi, Power over Ethernet.</p>

### Luminaire Construction

LED Light Source	<b>Amber LED Light</b>
Weight	1.8 lbs (0.816 kg). Typical Aluminum Insert & Back Box only.
Material	<b>Fixture:</b> machined stainless steel (316) with tempered glass.
Supplied with	<p><b>Standard installation housing:</b> Comes with an octagonal back box, a flange/pipe, an integral leveling device, a plastic cap, gel filled wire nuts, and silicone grease.</p> <p><b>Cable:</b> 6" (152mm) factory-installed wire lead.</p>
Warranty & LED Life	5 years limited warranty. Estimated useful life of LED is 50,000 hours.

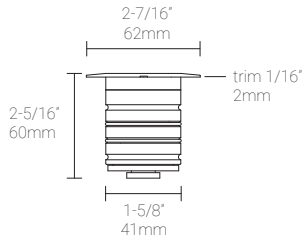
### Ordered Separately

System Components	<p><b>Power supplies:</b> remote driver Please consult factory or visit <a href="#">Recommended Drivers</a> for available driver options.</p> <p><b>Mounting kits:</b> MK1 or MK3 (custom length rebar in MK3 supplied by contractors)</p> <p><b>Single Gang Boxes:</b> see Pg.3-5 Mounting Options &amp; Dimensions.</p>
-------------------	---

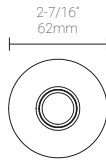
Mounting Options & Dimensions

LED Insert Dimensions

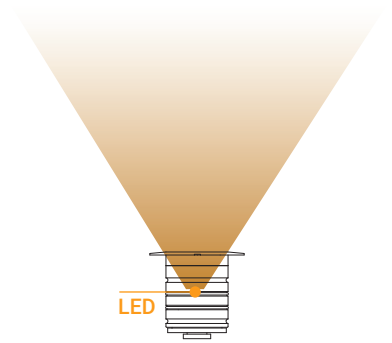
Fixture



Top View

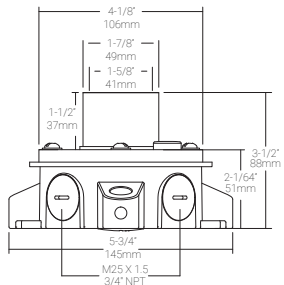


3D View

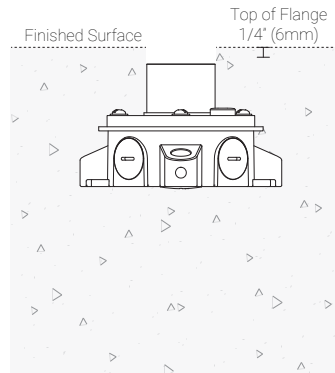


In-ground Installation | Shown with MP Lighting Back Box & Standard Flange (Order Code: **EBX-OCT1-CSMA**)

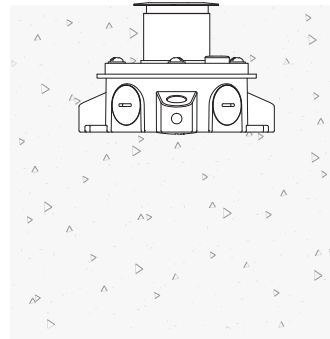
Box with Standard Flange



Box with Standard Flange:  
During Concrete Installation

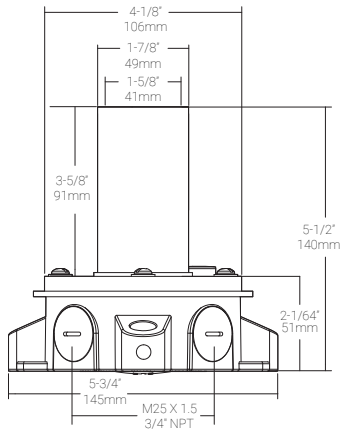


Box with Standard Flange:  
Complete Concrete Installation

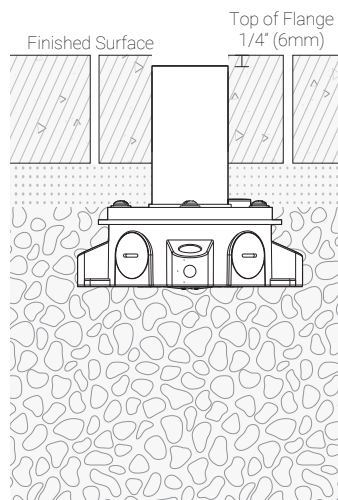


In-ground Installation | Shown with MP Lighting Back Box & Paving Stone Flange (Order Code: **EBX-OCT1-CPMA**)

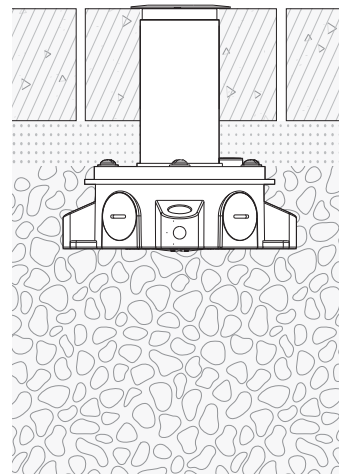
Box with Paving Stone Flange:



Box with Paving Stone Flange:  
During Paving Stone Installation



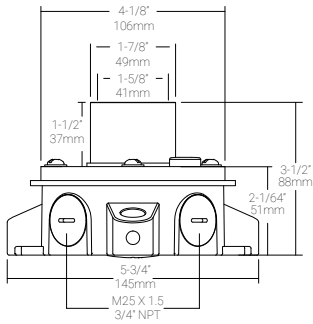
Box with Paving Stone Flange:  
Complete Paving Stone Installation



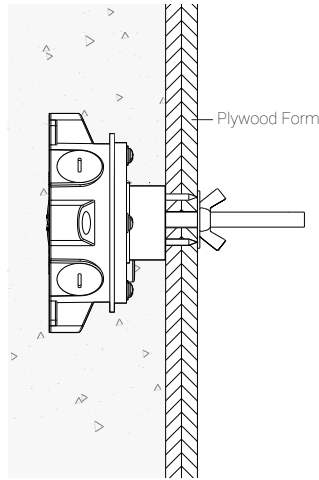
Mounting Kits

**MK1(MK1-OCT1-C) : Ceiling, Wall, and Stair Riser Installation | Shown with MP Lighting Back Box (Order Code: EBX-OCT1-CSMA)**

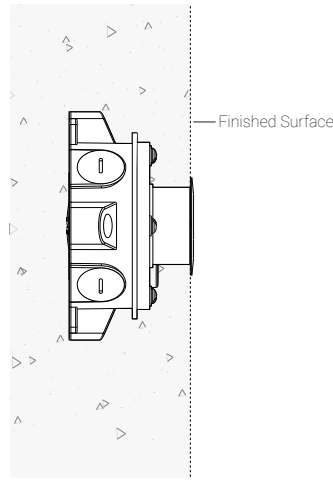
Box with Standard Flange



Box with Standard Flange & MK1: During Installation



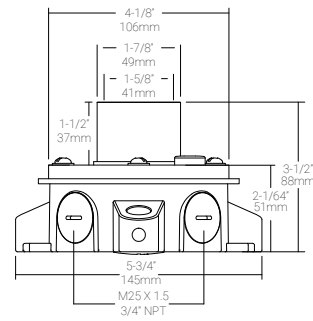
Box with Standard Flange: Complete Installation



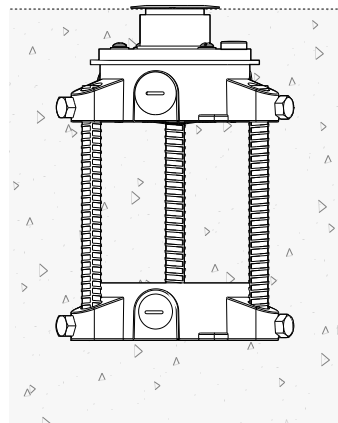
6" (152mm) threaded rod is supplied. Thread size: 3/8"-16

**MK3 (MK3-OCT1-C): In-ground Installation | Shown with MP Lighting Back Box (Order Code: EBX-OCT1-CSMA or EBX-OCT1-CPMA)**

Back Box (EBX-OCT1-CSMA)

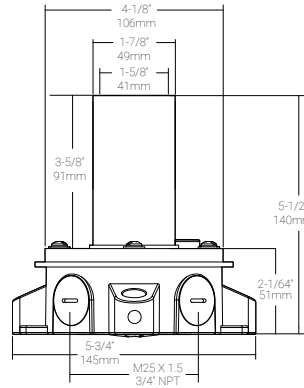


MK3 with Standard Flange and Back Box

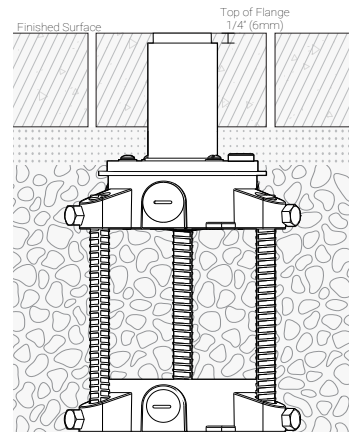


Rebar supplied by others. Recommended size: Ø1/2"

Back Box (EBX-OCT1-CPMA)



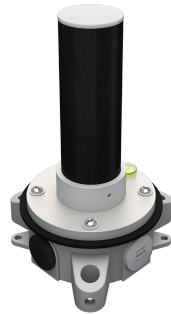
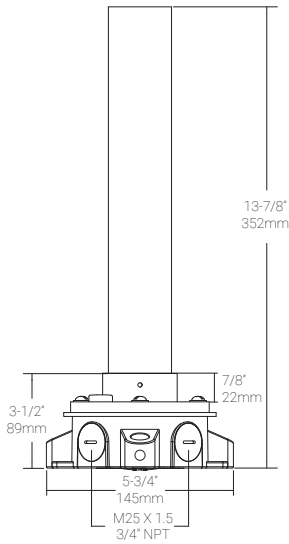
MK3 with Paving Stone Flange and Back Box



Rebar supplied by others. Recommended size: Ø1/2"

EBX-OCT1-CPIPE

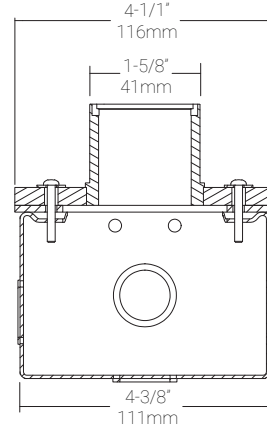
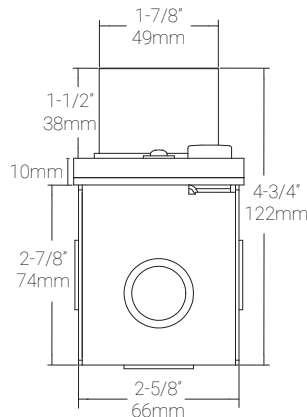
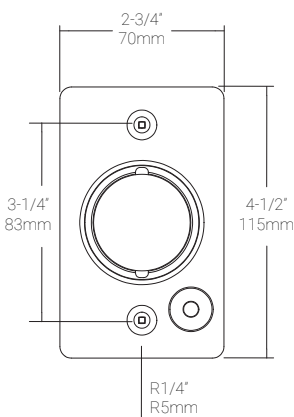
PIPE (PIPE-C) : In-ground/Landscape Installation | Shown with MP Lighting Back Box (Order Code: EBX-OCT1-CPIPE)



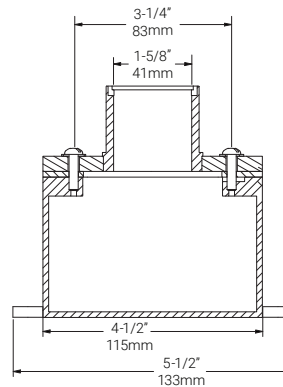
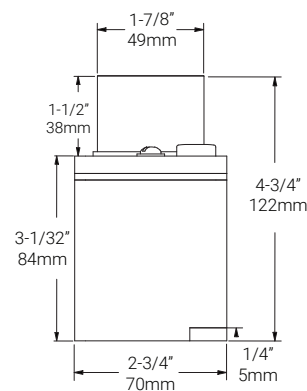
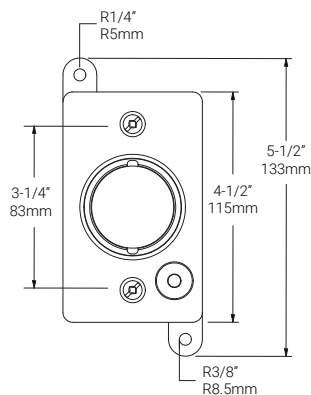
Rectangular Back Box for Wall Installation | shown with standard flange

1. For wall installation, custom rectangular electrical boxes are available as alternative options.

MP Lighting Single Gang Back Box | Order Code: EBX-SGB1-CSMA

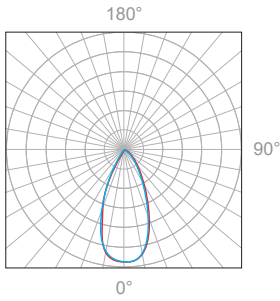


Scepter FD Back box | Order Code: EBX-SFD-CSMA

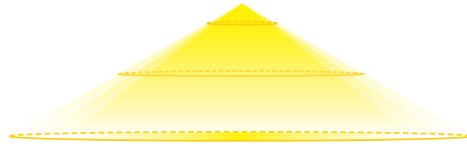


1W, 3000K, 90+ CRI

Polar Candela Distribution



Beam Width: 120°

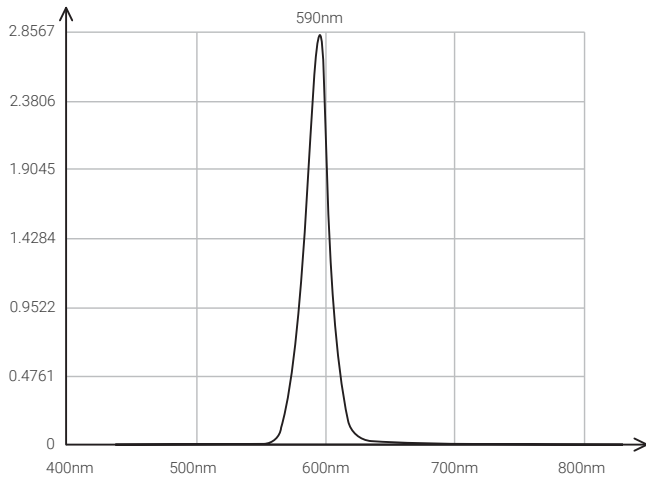


Illuminance at a Distance

Distance		Center Beam fc	Beam Width			
1.5ft	0.46m	15fc	4.8ft	1.46m	4.9ft	1.49m
3.0ft	0.91m	4.4fc	9.6ft	2.93m	9.8ft	2.99m
4.5ft	1.37m	2.1fc	14.4ft	4.39m	14.7ft	4.48m
6.0ft	1.83m	1.2fc	19.3ft	5.88m	19.6ft	5.97m
7.5ft	2.29m	0.8fc	24.1ft	7.35m	24.5ft	7.47m
9.0ft	2.74m	0.6fc	28.9ft	8.81m	29.4ft	8.96m

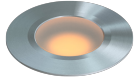
Delivered Lumen: 47 lm  
 ■ Vertical Beam Spread : 116.1°  
 ■ Horizontal Beam Spread : 117.1°

Amber Light Chart Analysis



Appendix

Stainless Steel Finishes



S6 stainless steel 316

Accessories



LM louver, matte clear anodized



LB louver, black anodized



HM hex louver, matte clear anodized



HB hex louver, black anodized



AB angled louver, black anodized



SB straight louver, black anodized



QB square louver, black anodized



RB ring louver, black anodized

Lens Options



F frosted