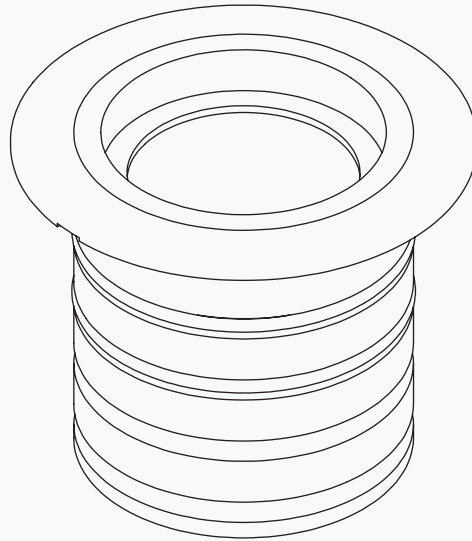
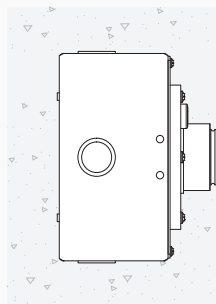


# L03

LED In-grade 1W/2.5W



Standard Flange



# L03

LED In-grade 1W / 2.5W

## Parts

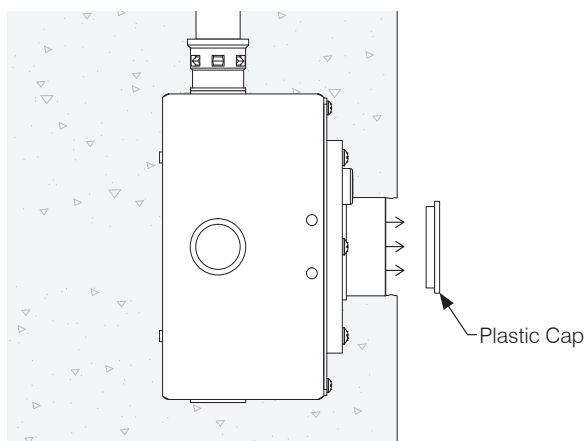
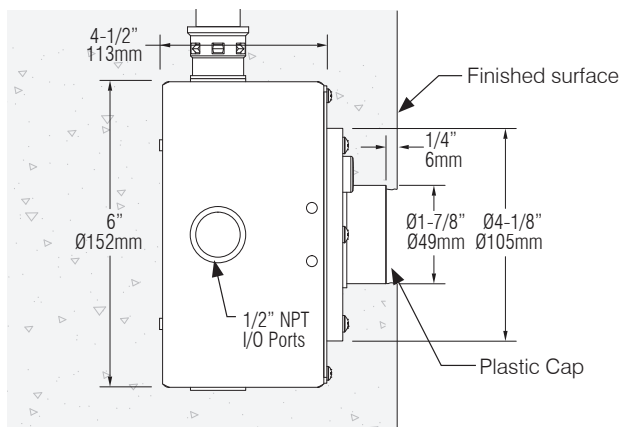
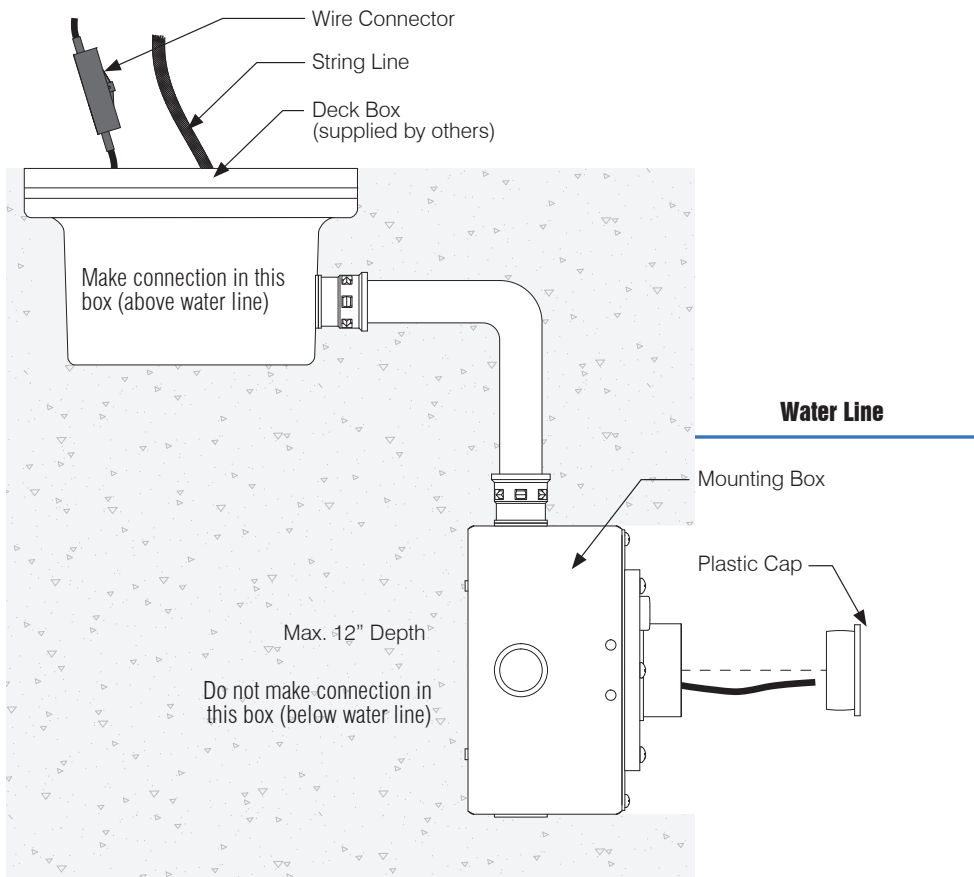
- L03 Back Box
- LED trim x 1
- 6' (1.8m) Waterproof leads
- Lubrication grease — Included

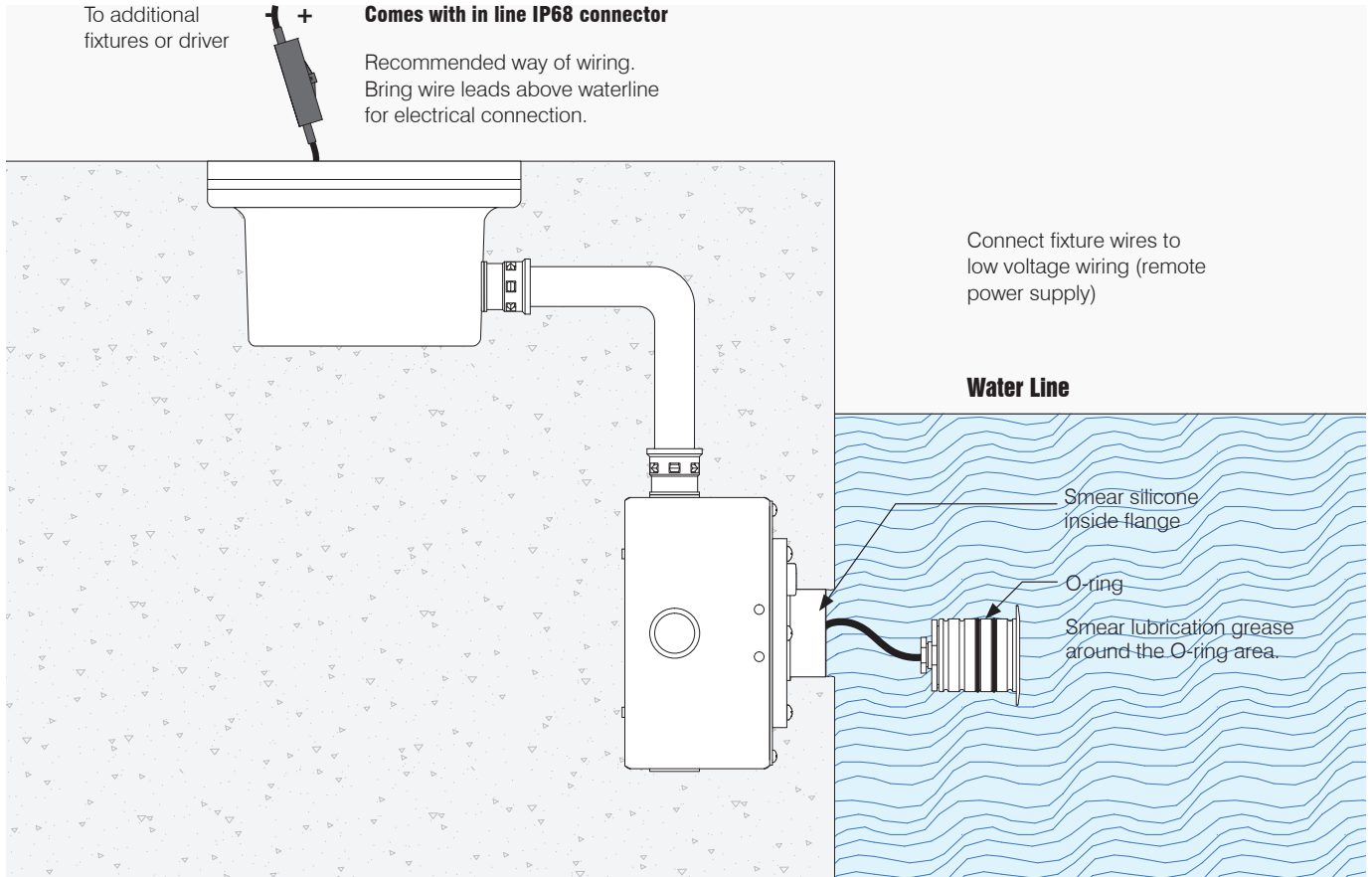
- 1) Install wiring and conduit in fixture box.
- 2) Install conduit with string line in position between fixture box (below water line) and deck box (above water line). **ELECTRICAL CONNECTION IS MADE ABOVE WATER LINE.** Failure to do this will cause fixture to fill with water and void warranty. Refer to applicable wiring diagram.

- 2) Ensure all gaskets are in place and knockouts are plugged. Take appropriate steps to support box from collapsing and prevent concrete from entering box during concrete pour.

**DO NOT LET CONCRETE ENTER BOX.**

- 3) Position electrical box so flange is within 1/4" (6mm) from top of poured concrete.
- 4) After concrete has cured, crack concrete above flange and remove plastic cap.



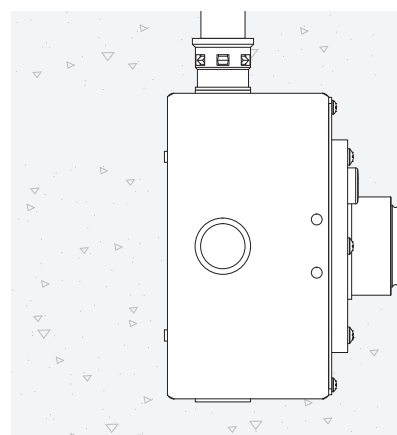
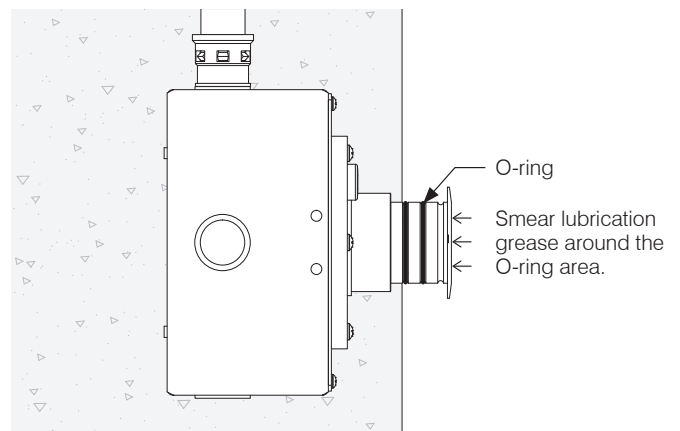


5) The power to the driver must be off while wiring LED fixtures to drivers. Feed waterproof fixture lead and pull through conduit to splice box. Connect fixture leads at deck box, above the water line, according to applicable wiring diagram.

6) APPLY LUBRICATION GREASE to bottom of trim and inside of flange, for proper insertion and removal of trim.

With a twisting back and forth motion insert trim into flange.

\*If fixture has an angle bracket, make sure beam is lined up in desired direction when inserting the trim.





## IMPORTANT SAFETY INSTRUCTIONS

KEEP THESE INSTALLATION INSTRUCTIONS

(Including General and Additional Markings for Fixtures)

(FOR MP LIGHTING LED LUMINAIRES, CLASS 3402-xx)

General and additional markings

1. For Use Only with Certified/NRTL Driver, Model \_\_\_\_\_
2. DRY LOCATIONS ONLY or OUTDOOR USE ONLY or DRY/  
OUTDOOR USE ONLY or Outdoor / submersible Use Only - as indicated on fixtures
3. MIN 90 C SUPPLY CONDUCTORS
4. Model L92, L900: SUITABLE FOR MOUNTING WITHIN 1.2 M (4FT) OF THE GROUND
5. Models L01, L03, L05, L06, L07, L08, L300, L302, L304, L306, L310, L312, L320, L324, L326, L352, L358, L360, L366, L368, L370, L372, L379: SUITABLE FOR USE IN POURED CONCRETE, USE ON CLASS 2 CIRCUIT ONLY
6. Models with Class 2 LED Drivers which are intended for installation for other than Indoor Use Only: CAUTION: CONNECTED ONLY TO A CIRCUIT PROTECTED BY A CLASS A GROUND FAULT CIRCUIT INTERRUPTER
7. Models L51, L52, L57, L58, L64, L65, L66, L67, L101, and L102: SUITABLE FOR UNDER-CABINET MOUNT
8. Model L141, L401NI, L402NI, L403NI, and L405NI: SUITABLE FOR DAMP LOCATIONS, DO NOT INSTALL INSULATION WITHIN 76 mm (3 in) OF ANY PART OF THE LUMINAIRE
9. Model L92, L900, L930 (if with remote power supplies): USE ON CLASS 2 CIRCUIT ONLY
10. Model L122, L123 (if used for recessed applications): VAPOUR BARRIER MUST BE SUITABLE FOR 90 °C, TYPE IC, INHERENTLY PROTECTED

Installation instructions

1. The grounding installation shall be done in accordance with CEC-Part 1.
2. WARNING: RISK OF FIRE OR ELECTRIC SHOCK: DO NOT MAKE OR ALTER ANY OPENINGS IN THE COMPARTMENT OF WIRING OR ELECTRICAL COMPONENTS DURING INSTALLATION. DO NOT ALTER OR ADD BALLASTS, OR ANY OTHER ELECTRICAL COMPONENTS.
3. INSTALLATION AND USE OF THIS FIXTURE MOUNTING ASSEMBLY REQUIRES A PERSON FAMILIAR WITH THE CONSTRUCTION AND OPERATION OF LUMINAIRE ELECTRICAL SYSTEMS AND THE HAZARD INVOLVED, IF NOT QUALIFIED, DO NOT ATTEMPT INSTALLATION. CONTACT A QUALIFIED ELECTRICIAN.
4. TURN OFF POWER BEFORE INSTALLATION.
5. KEEP THESE INSTALLATION INSTRUCTIONS.



## CONSIGNES DE SÉCURITÉ IMPORTANTES

CONSERVER CES INSTRUCTIONS D'INSTALLATION

(Dont le général et marques supplémentaires pour les appareils)

(Pour les luminaires LED MP D'ÉCLAIRAGE , CLASS 3402 -xx )

Général et marquages supplémentaires

1. A utiliser uniquement avec Certified / NRTL pilote, modèle \_\_\_\_\_
2. POUR EMPLACEMENTS SECS SEULEMENT ou UTILISATION EXTÉRIEURE SEULEMENT ou SEC / UTILISATION EXTÉRIEURE SEULEMENT ou extérieure / Utilisation submersible seulement - comme indiqué sur les appareils
3. LES FILS D'ALIMENTATION 90 °C MIN
4. Modèle L92/L900: PEUT ÊTRE INSTALLÉ À MOINS DE 1,2 m (4 pi) DU SOL
5. Modèle L01, L03, L05, L06, L07, L08, L300, L302, L304, L306, L310, L312, L320, L324, L326, L352, L358, L360, L366, L368, L370, L372, L379et: PEUT ÊTRE UTILISÉ DANS LE BÉTON COULÉ, UTILISATION DE CLASSE 2 CIRCUIT UNIQUEMENT
6. ATTENTION: CONNECTED UNIQUEMENT À UN CIRCUIT PROTÉGÉ PAR UN DISJONCTEUR DIFFÉRENTIEL DE CLASS A
7. Modèle L51, L52, L57, L58, L64, L65, L66, L67, L101, L102 et: PEUT ÊTRE FIXÉ SOUS UNE ARMOIRE
8. Modèle L141 L401NI, L402NI, L403NI, L405NI: CONVIENT AUX EMPLACEMENTS HUMIDES, NE PAS METTRE L'ISOLANT À MOINS DE 76 mm (3 po) DE TOUTE PARTIE DU LUMINAIRE
9. Modèle L92, L900, L930 (avec alimentations à distance): UTILISATION DE CLASSE 2 CIRCUIT UNIQUEMENT
10. Modèle L122, L123 (pour applications encastrées):LE PARE-VAPEUR DOIT CONVENIR POUR 90 °C, TYPE IC; PROTECTION INHÉRENTE

Les instructions d'installation

1. L'installation de mise à la terre doit être fait en conformité avec CEC Partie 1.
2. AVERTISSEMENT : RISQUE D'INCENDIE OU D'ÉLECTROCUTION : NE PAS FAIRE OU MODIFIER DES OUVERTURES DANS LE COMPARTIMENT DE CÂBLAGE OU DE COMPOSANTS ÉLECTRIQUES LORS DE L'INSTALLATION. NE PAS MODIFIER OU AJOUTER DES BALLASTS, OU AUTRES COMPOSANTS ÉLECTRIQUES
3. CE PRODUIT DOIT ÊTRE INSTALLÉ SELON LE CODE D'INSTALLATION PERTINENT, PAR UNE PERSONNE QUI CONNAÎT BIEN LE PRODUIT ET SON FONCTIONNEMENT AINSI QUE LES RISQUES INHÉRENTS. CONSULTER UN ÉLECTRICIEN QUALIFIÉ.
4. COUPER LE COURANT AVANT L'INSTALLATION.
5. CONSERVEZ CES INSTRUCTIONS.