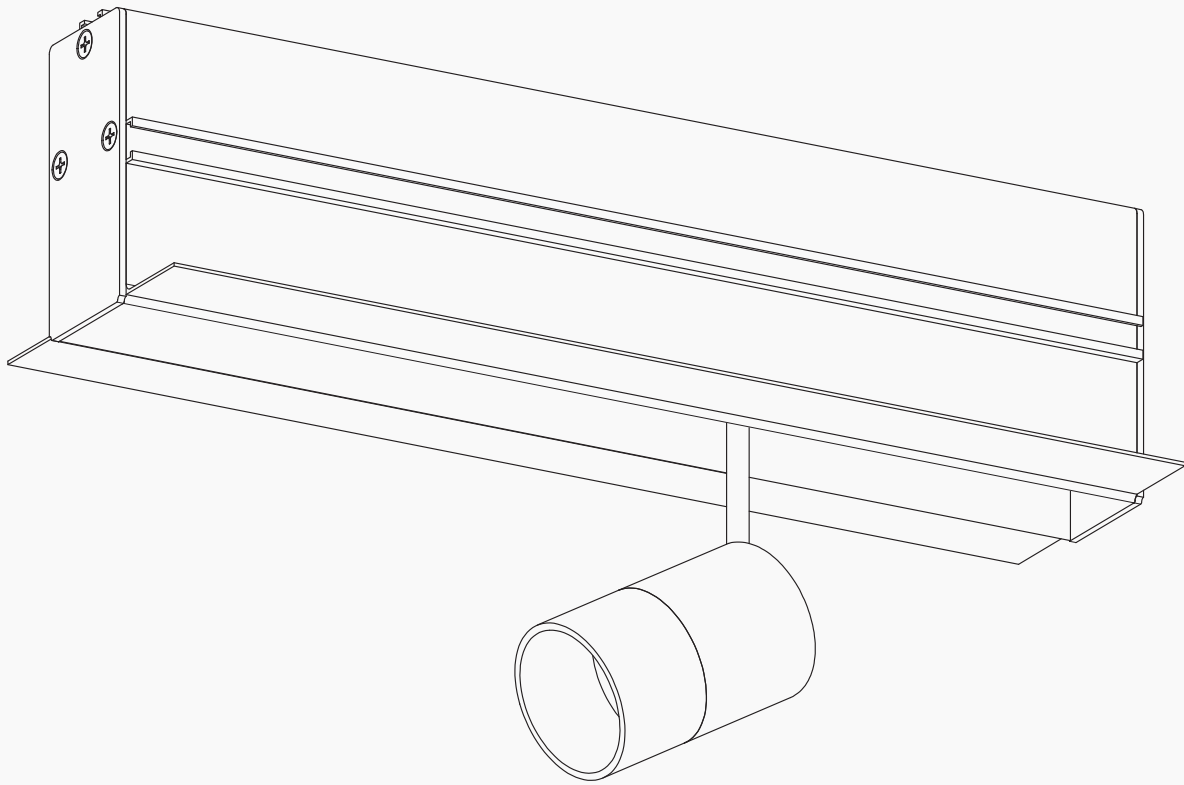


L116

Linear LED



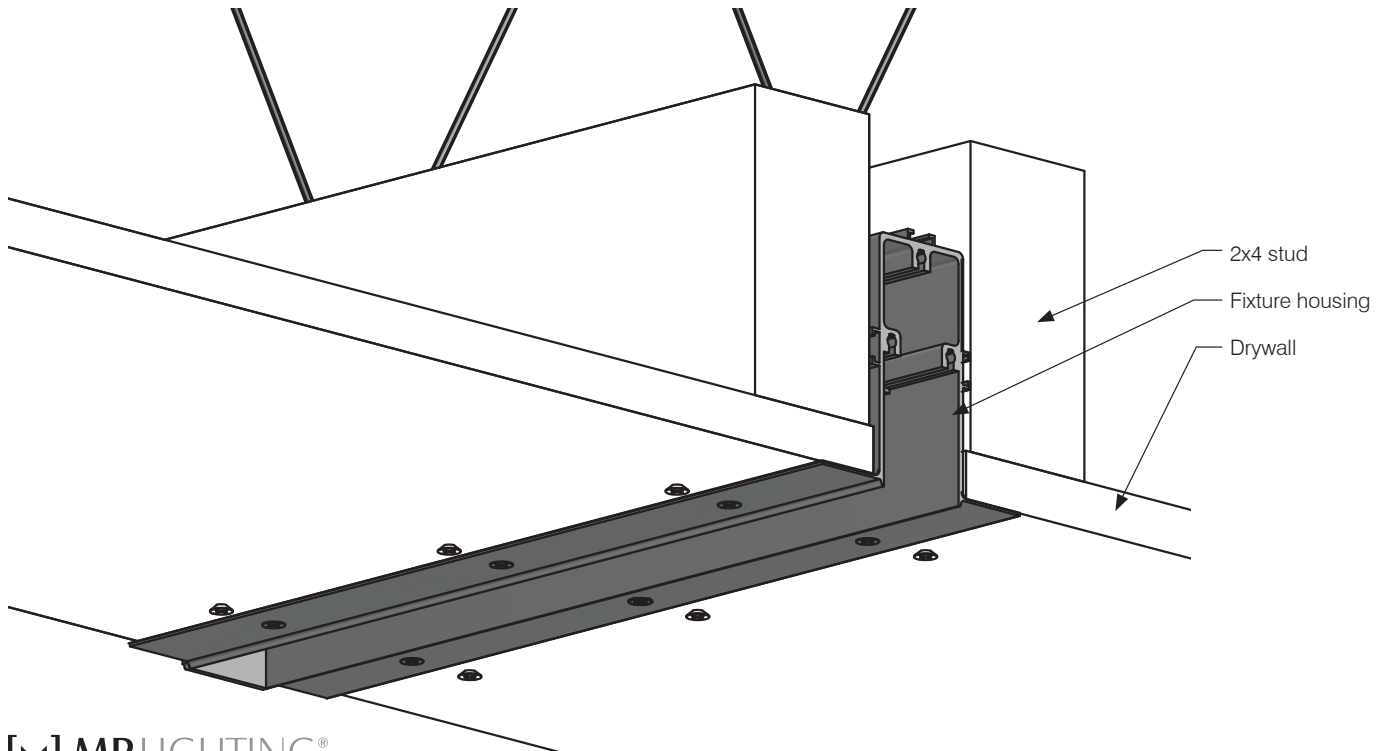
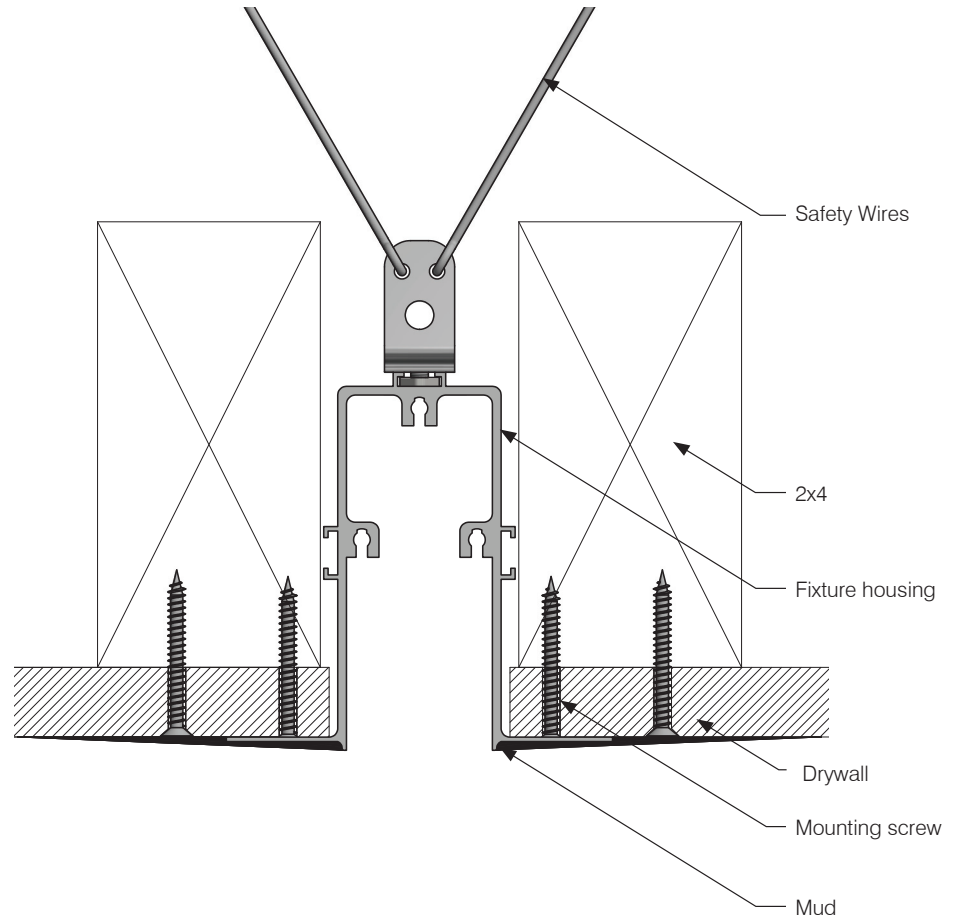
L116

Recessed Ceiling Mount - Drywall

Parts

LED fixture Housing
Mounting screws (Not provided)

- 1) Turn off power prior to installation.
- 2) Cut hole in drywall for the insertion of the housing.
- 3) Install safety wires. (see safety wire assembly)
- 4) Install housing into drywall. Ensure housing aligns with the edges of the drywall.
- 5) Secure fixture housing by screwing housing to the drywall and 2x4 ceiling joist. Place screws approximately 1/2" from housing opening and evenly spaced to a maximum of 2' apart. Ensure fixture is level.
- 6) Apply layers mud / joint compound over the gap with a drywall knife. Ensure no mudding dries on inside of the housing.



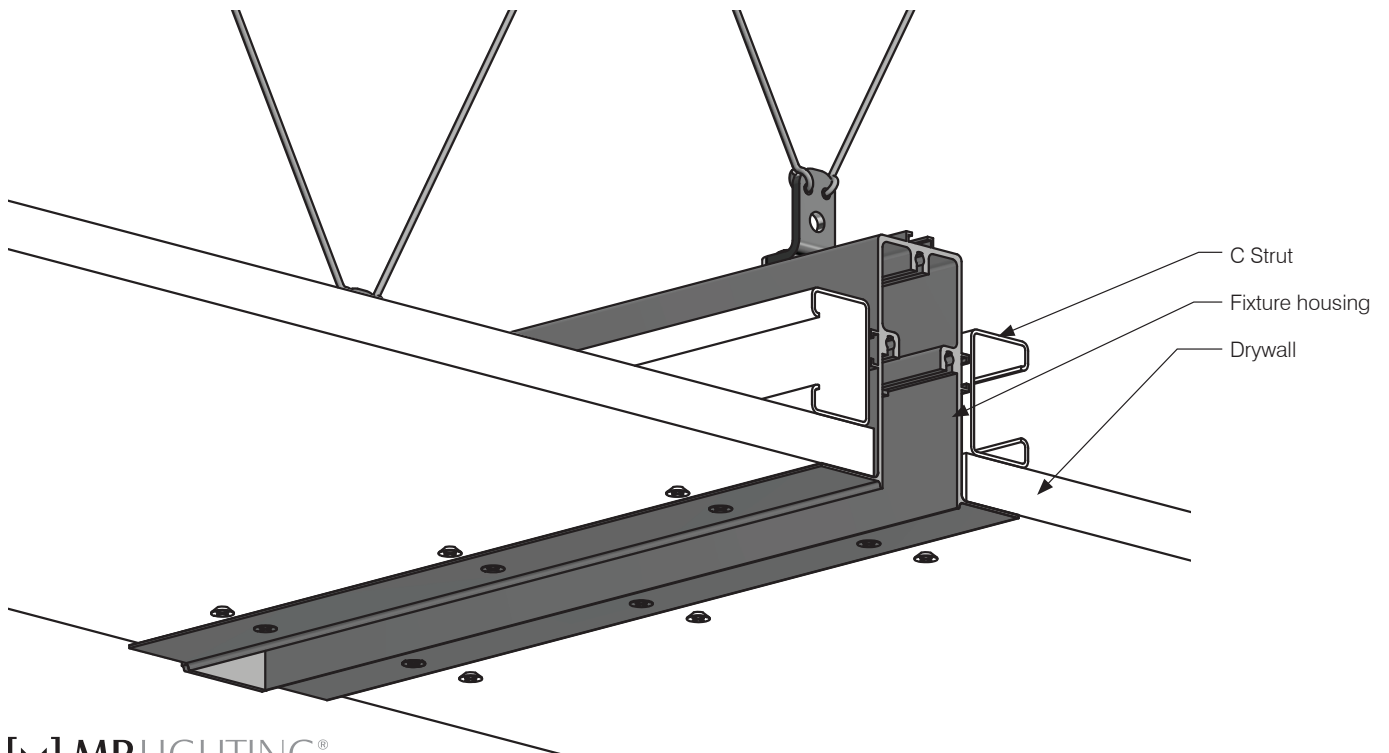
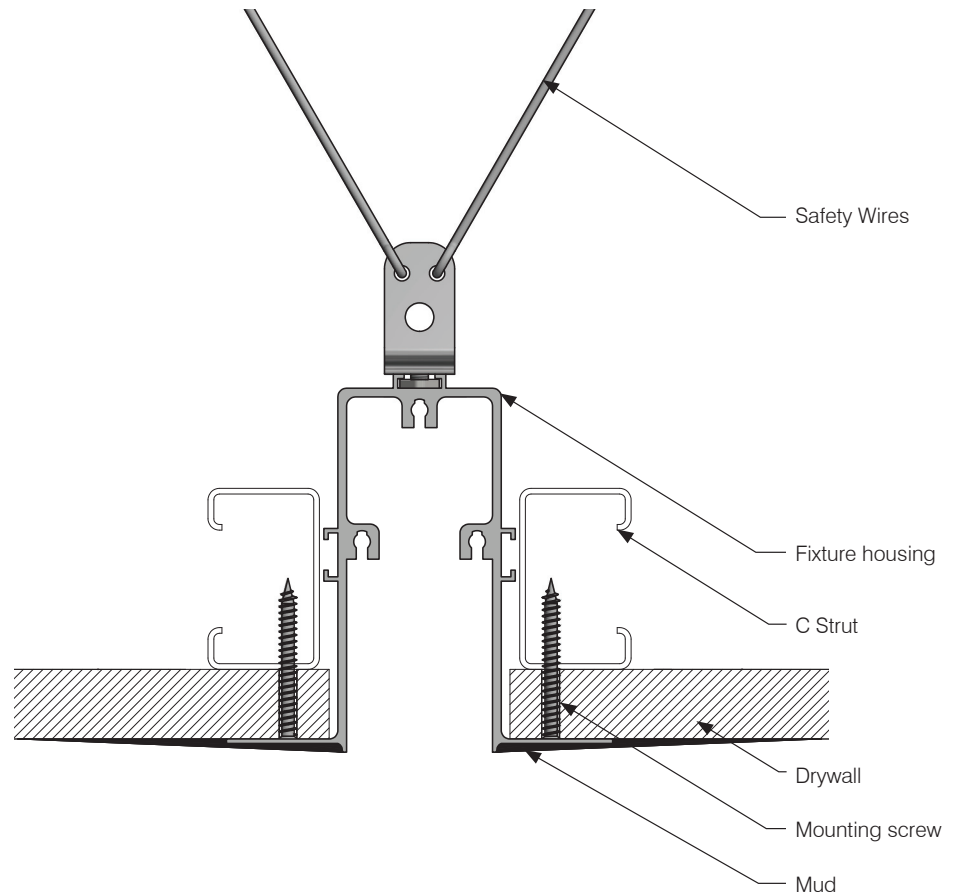
L116

Recessed Ceiling Mount - C Strut

Parts

LED fixture Housing
Mounting screws (Not provided)

- 1) Turn off power prior to installation.
- 2) Cut hole in drywall for the insertion of the housing.
- 3) Install safety wires. (see safety wire assembly)
- 4) Install housing into drywall. Ensure housing aligns with the edges of the drywall.
- 5) Secure fixture housing by screwing housing to the drywall and 2x4 ceiling joist. Place screws approximately 1/2" from housing opening and evenly spaced to a maximum of 2' apart. Ensure fixture is level.
- 6) Apply layers mud / joint compound over the gap with a drywall knife. Ensure no mudding dries on inside of the housing.



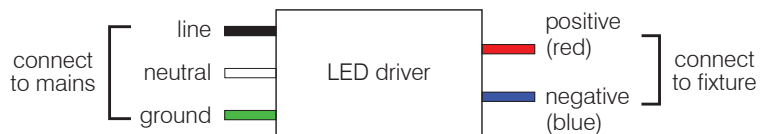
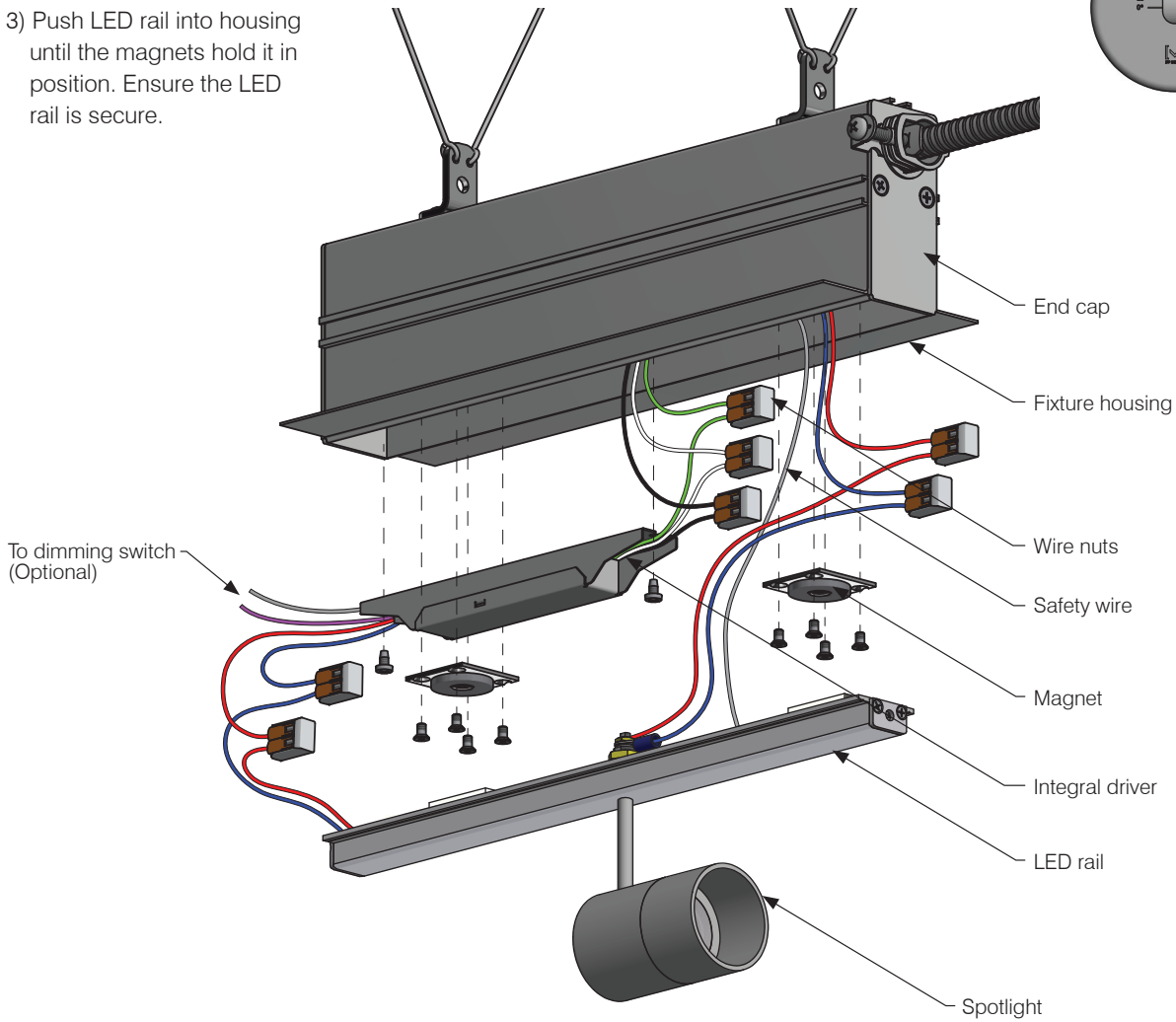
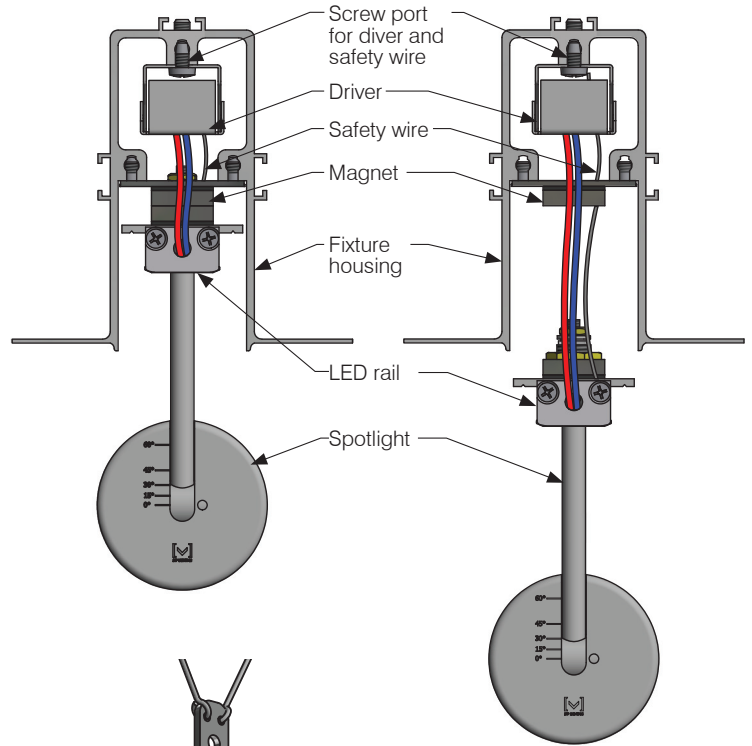
L116

Fixture Assembly

Parts

- LED fixture housing
- LED rail
- Magnet
- Driver
- Wire nuts (Not Provided)

- 1) Make power connection to driver wires. Secure driver to fixture housing.
- 2) Secure safety wire between the LED rail and the fixture housing.
- 3) Push LED rail into housing until the magnets hold it in position. Ensure the LED rail is secure.



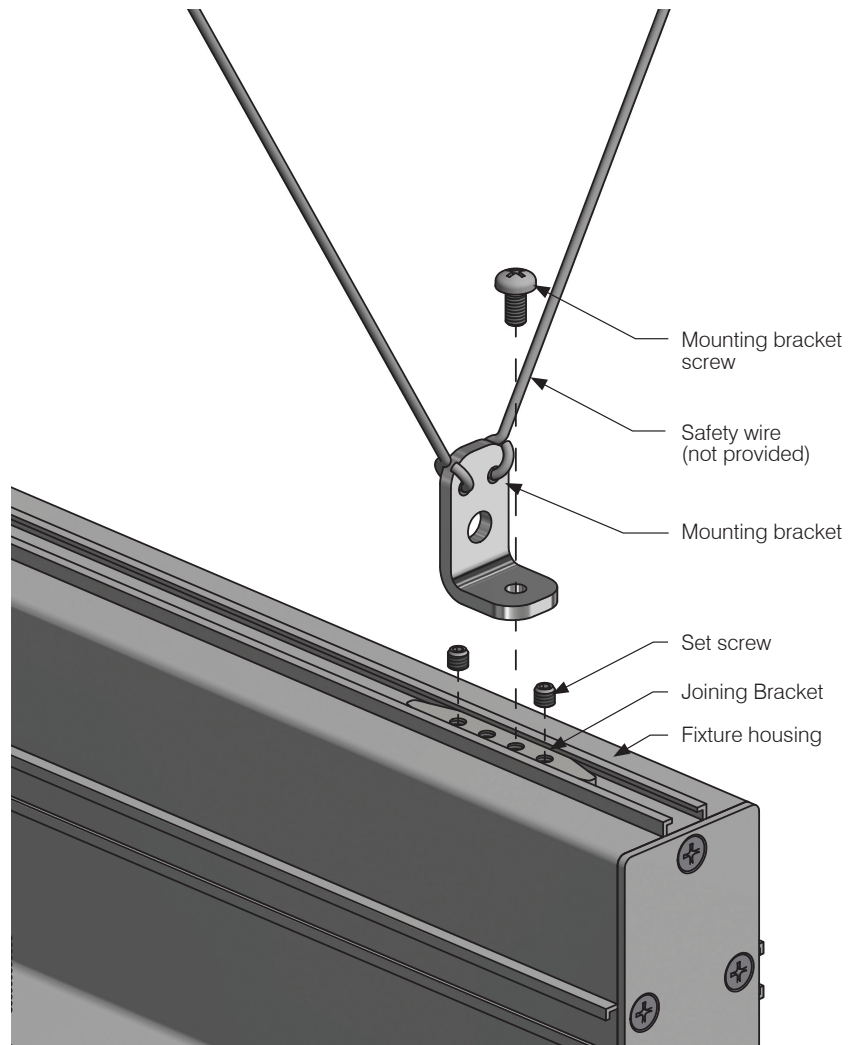
L116

Recessed Ceiling Mount - C Strut

Parts

LED fixture housing
Mounting Bracket
Joining Bracket
Screws (Not Provided)
Safety wire (Not Provided)

- 1) Secure the safety wire to the mounting bracket.
- 2) Move the joining bracket to the desired position. Lock the position of the bracket using set screws.
- 3) Secure the mounting and joining bracket using the mounting screw.



IMPORTANT SAFETY INSTRUCTIONS

KEEP THESE INSTALLATION INSTRUCTIONS

(Including General and Additional Markings for Fixtures)

(FOR MP LIGHTING LED LUMINAIRES, CLASS 3402-xx)

General and additional markings

1. For Use Only with Certified/NRTL Driver, Model _____
2. DRY LOCATIONS ONLY or OUTDOOR USE ONLY or DRY/
OUTDOOR USE ONLY or Outdoor / submersible Use Only - as
indicated on fixtures
3. MIN 90 C SUPPLY CONDUCTORS
4. Models L01, L03, L04, L05, L06, and L07: SUITABLE FOR USE IN
POURED CONCRETE, USE ON CLASS 2 CIRCUIT ONLY

Installation instructions

1. The grounding installation shall be done in accordance with
CEC-Part 1.
2. WARNING: RISK OF FIRE OR ELECTRIC SHOCK: DO NOT
MAKE OR ALTER ANY OPENINGS IN THE COMPARTMENT
OF WIRING OR ELECTRICAL COMPONENTS DURING
INSTALLATION. DO NOT ALTER OR ADD BALLASTS, OR ANY
OTHER ELECTRICAL COMPONENTS.
3. INSTALLATION AND USE OF THIS FIXTURE MOUNTING
ASSEMBLY REQUIRES A PERSON FAMILIAR WITH THE
CONSTRUCTION AND OPERATION OF LUMINAIRE
ELECTRICAL SYSTEMS AND THE HAZARD INVOLVED, IF NOT
QUALIFIED, DO NOT ATTEMPT INSTALLATION. CONTACT A
QUALIFIED ELECTRICIAN.
4. TURN OFF POWER BEFORE INSTALLATION.
5. KEEP THESE INSTALLATION INSTRUCTIONS.

CONSIGNES DE SÉCURITÉ IMPORTANTES

CONSERVER CES INSTRUCTIONS D'INSTALLATION

(Dont le général et marques supplémentaires pour les appareils)

(Pour les luminaires LED MP D'ÉCLAIRAGE , CLASS 3402 -xx)

Général et marquages supplémentaires

1. A utiliser uniquement avec Certified / NRTL pilote, modèle _____
2. POUR EMPLACEMENTS SECS SEULEMENT ou UTILISATION
EXTÉRIEURE SEULEMENT ou SEC / UTILISATION EXTÉRIEURE
SEULEMENT ou extérieure / Utilisation submersible seulement -
comme indiqué sur les appareils
3. LES FILS D'ALIMENTATION 90 °C MIN
4. Modèles L01, L03, L04, L05, L06, L07 et: utilisables dans le béton
coulé, UTILISATION DE CLASSE 2 CIRCUIT UNIQUEMENT

Les instructions d'installation

1. L'installation de mise à la terre doit être fait en conformité avec
CEC Partie 1.
2. AVERTISSEMENT : RISQUE D'INCENDIE OU
D'ÉLECTROCUTION : NE PAS FAIRE OU MODIFIER DES
OUVERTURES DANS LE COMPARTIMENT DE CÂBLAGE OU
DE COMPOSANTS ÉLECTRIQUES LORS DE L'INSTALLATION.
NE PAS MODIFIER OU AJOUTER DES BALLASTS, OU AUTRES
COMPOSANTS ÉLECTRIQUES
3. CE PRODUIT DOIT ÊTRE INSTALLÉ SELON LE CODE
D'INSTALLATION PERTINENT, PAR UNE PERSONNE QUI
CONNAÎT BIEN LE PRODUIT ET SON FONCTIONNEMENT
AINSI QUE LES RISQUES INHÉRENTS. CONSULTER UN
ÉLECTRICIEN QUALIFIÉ.
4. COUPER LE COURANT AVANT L'INSTALLATION.
5. CONSERVEZ CES INSTRUCTIONS.