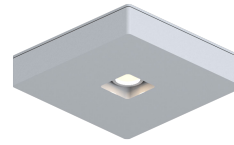


L136

EXTERIOR | INTERIOR

Surface Mount Downlight | For ceilings

○ Damp and Dry location



Ordering Information

Clear Form

Date :	_____	Quantity :	_____
Project :	_____	Note :	_____
Type :	_____		_____

Specifications

Luminaire | Example Code: L136-8-W30H-S-B-MA

Product	Version	CCT & CRI ¹	Beam Angle	Surface-mount Box ² (optional)	Finish
L136	8				MA
	8 8W	W22H 2200K 90+ W27H 2700K 90+ W30H 3000K 90+ W35H 3500K 90+	S spot 12° N narrow flood 30°	B surface-mount box	MA matte clear anodized

Important Notes

Specification

1. Refer to pg.02 - for Light Quality & Colour Consistency details.
2. Refer to pg.03 - for images and installation guide. Surface mount box comes bare (no finishes available) with matte gray plugs. Can be painted on-site to match desired surface.

Warranty Notes & Disclaimer

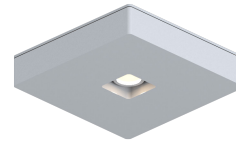
Malfunction and damage to product due to incompatible dimming system or misuse will not be covered under warranty. Consult MP Lighting for recommended drivers. If the fixture has an option to be installed with a dimming control system, consult a dimming system manufacturer with minimum load before installing. MP Lighting reserves the right, at its sole discretion, at any time and without notice, to make design changes to any of our products. Consult MP Lighting website for most updated documentation.

L136

EXTERIOR | INTERIOR

Surface Mount Downlight | For ceilings

○ Damp and Dry location



Performance

Wattage	Forward Current	Power Consumption Budget per fixture (including driver)	LED output (Source)	Fixture Output (Delivered)
8W	700mA	9W	880 lm	581-604 lm

Application

Environment	Damp and Dry Location approved. IP 62.
Mounting	Mounts with built-in surface-mount box (optional) or mounts to a 4" octagonal box (supplied by others)

Electrical

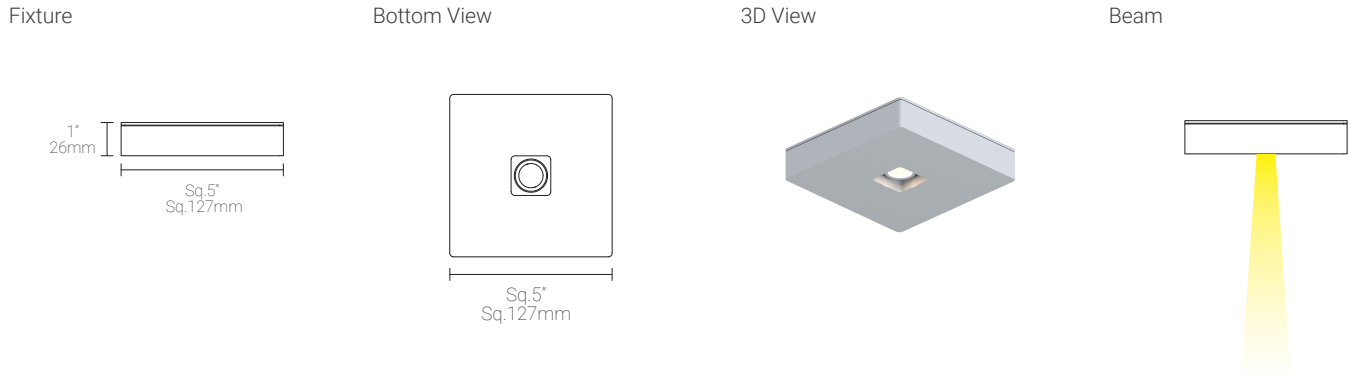
Electrical	Integral LED drivers (120V AC input, ELV dimming, constant current output). For exterior use, the driver needs to be remote or mounted in back box. Consult factory for alternative driver options or driver options for exterior use.
Control	On/off control Dimming: ELV or 0-10V dimming with appropriate drivers Other options (consult factory): TRIAC/MLV, DMX, DALI, Casambi, Power over Ethernet

Luminaire Construction

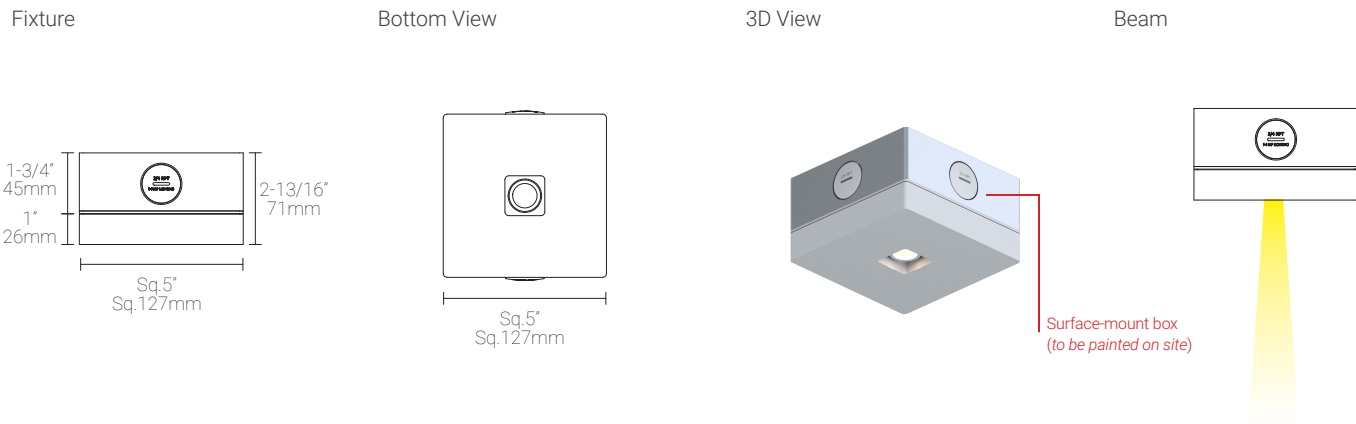
LED Light Source	W22H = CCT: 2200K, CRI (Ra): 90+, Colour Consistency: 3SDCM W27H = CCT: 2700K, CRI (Ra): 90+, Colour Consistency: 2SDCM W30H = CCT: 3000K, CRI (Ra): 90+, Colour Consistency: 2SDCM W35H = CCT: 3500K, CRI (Ra): 90+, Colour Consistency: 2SDCM
Weight	N/A
Material	Fixture: machined marine-grade aluminum
Supplied with	Standard installation housing: Comes with an adapter plate, two #8-32 screws, and wire nuts.
Warranty & LED Life	5 years limited warranty Estimated useful life of LED is 50,000 hours.

Mounting Options & Dimensions

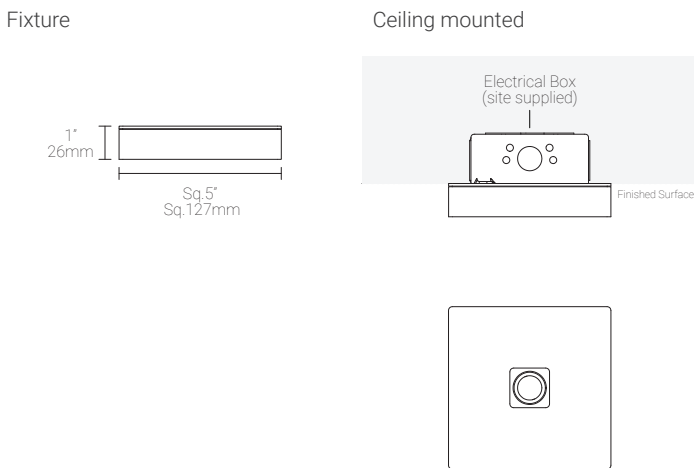
LED Fixture Dimensions



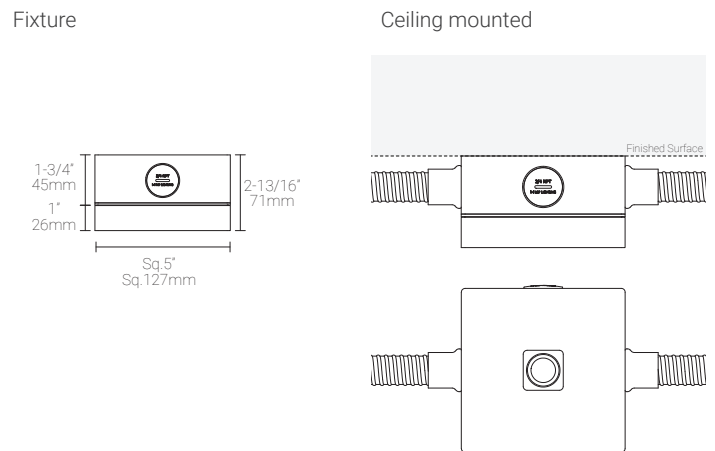
LED Fixture Dimensions | with B, surface-mount box (optional)



Installation | with standard 4" octagonal back box (supplied by others)

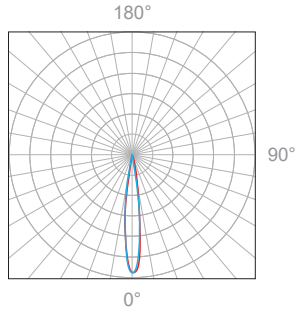


Installation | with B, surface-mount box (optional)



8W, 3000K, 90+ CRI

Polar Candela Distribution



Beam Width: 12°

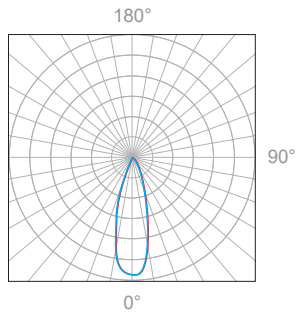


Illuminance at a Distance

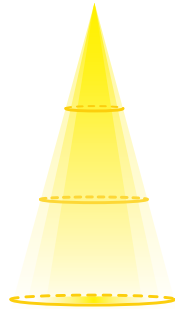
Distance		Center Beam fc	Beam Width			
3.0ft	0.91m	281fc	1.2ft	0.36m	1.2ft	0.36m
6.0ft	1.83m	70.3fc	2.5ft	0.76m	2.5ft	0.76m
9.0ft	2.74m	31.2fc	3.7ft	1.12m	3.7ft	1.12m
12.0ft	3.66m	17.6fc	4.9ft	1.49m	5.0ft	1.52m
15.0ft	4.57m	11.2fc	6.2ft	1.89m	6.2ft	1.89m
18.0ft	5.49m	7.81fc	7.4ft	2.25m	7.5ft	2.28m

Delivered Lumen: 581.9 lm
 ■ Vertical Beam Spread: 23.3°
 ■ Horizontal Beam Spread: 23.4°

Polar Candela Distribution



Beam Width: 30°



Illuminance at a Distance

Distance		Center Beam fc	Beam Width			
3.0ft	0.91m	263fc	1.4ft	0.43m	1.3ft	0.40m
6.0ft	1.83m	65.7fc	2.8ft	0.85m	2.7ft	0.88m
9.0ft	2.74m	29.2fc	4.3ft	1.31m	4.0ft	1.21m
12.0ft	3.66m	16.4fc	5.7ft	1.73m	5.3ft	1.61m
15.0ft	4.57m	10.5fc	7.1ft	2.16m	6.6ft	2.01m
18.0ft	5.49m	7.29fc	8.5ft	2.59m	8.0ft	2.43m

Delivered Lumen: 604.5 lm
 ■ Vertical Beam Spread: 26.7°
 ■ Horizontal Beam Spread: 25.0°