

L161

INTERIOR

Linear | For walls, ceilings, display cases & desks

● Dry location



Ordering Information

Clear Form

Date : _____

Quantity : _____

Project : _____

Note : _____

Type : _____

Specifications

Luminaire | Example Code: L161-MB-6-1-W30H-6-MA

Product	Mounting ¹	Wattage	Fixture Length ²	CCT & CRI ³	Stem Length ⁴	Finish ⁵
L161		6				MA
	MB mounting bracket	6 6W/ft	X custom	W30H 3000K 90+	0 no stem 6 6" (152mm) 12 12" (305mm) X custom length	Aluminum Finishes: MA matte clear anodized BA black anodized BZ bronze powder coated
	Canopy Options: C1 C22					

System Components (Ordered Separately)

Remote Driver ⁶ : _____

Control System: _____

On/off control
Dimming: Reverse Phase (ELV), Forward Phase (TRIAC/MLV),
 0-10V, DMX, DALI, Casambi, Power over Ethernet

Important Notes

Specification

1. Refer to pg.3 - Mounting Options & Dimensions for details.
2. **Minimum:** 1' (305mm) **Maximum:** 4' (1829mm), 1' (305mm) increments. Please see pg.3 - Dimension drawing for details.
3. Refer to pg.2 - for Light Quality & Colour Consistency details.
4. **Maximum:** 24" (610mm).
5. Refer to Appendix or MP Lighting website for complete look of luminaire with different finish options.

Warranty Notes & Disclaimer

Malfunction and damage to product due to incompatible dimming system or misuse will not be covered under warranty. Consult MP Lighting for recommended drivers. If the fixture has an option to be installed with a dimming control system, consult a dimming system manufacturer with minimum load before installing. MP Lighting reserves the right, at its sole discretion, at any time and without notice, to make design changes to any of our products. Consult MP Lighting website for most updated documentation.

L161

INTERIOR

Linear | For walls, ceilings, display cases & desks

● Dry location



Performance

Wattage	Forward Current	Power Consumption Budget per fixture (including driver)	LED output (Source)	Fixture Output (Delivered)
6W/ft	350mA	7.8W/ft	280 lm/ft	95 lm/ft

Application

Environment	Dry Location approved. IP 40.
Mounting	Mounts with stem and mounting bracket/canopy. Comes with 6' (1829mm) wire lead.

Electrical

Power Supplies	Remote LED drivers (120-277V AC input, constant voltage output): Fixtures to be wired in parallel. Recommended (consult factory): TLDAV100W24V04iB, 120-277V input, ELV dimming. TLDAV100W24V04iB, 120-277V input, 0-10V dimming.
Control	On/off control Dimming: ELV or 0-10V dimming with appropriate drivers (sold separately). Other options (consult factory): TRIAC/MLV, DMX, DALI, Casambi, Power over Ethernet.

Luminaire Construction

LED Light Source	W30H = CCT: 3000K, CRI (Ra): 90+, Colour Consistency: 2SDCM
Standard Compliance	✓ADA-compliant ✓WELL standard – Feature 58: Color Quality
Weight	1.82lbs (0.827kg)/ft. Typical Aluminum Fixture.
Materials	Fixture: machined marine-grade aluminum with polycarbonate.
Supplied with	Standard installation hardware: Comes with mounting bracket or mounting canopy. Cable: 6' (1829mm) factory-installed wire lead .
Warranty & LED Life	5 years limited warranty. Estimated useful life of LED is 50,000 hours.

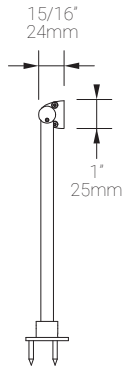
Ordered Separately

System Components	Power supplies: remote driver. Please consult factory or visit Recommended Drivers for available driver options.
-------------------	--------------------------------------------------------------------------------------------------------------------------------------------

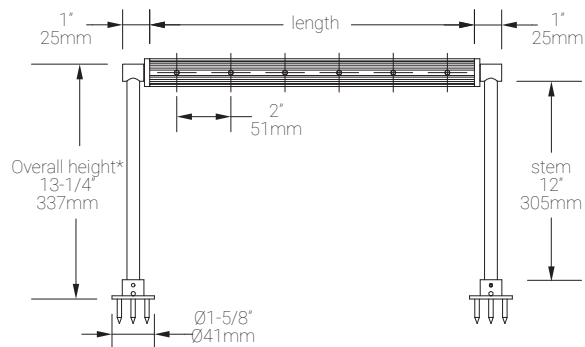
Mounting Options & Dimensions

LED Fixture Dimensions (shown with mounting bracket)

Fixture



Front View



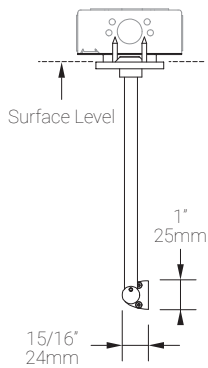
*Minimum overall height is 1-3/8" (35mm)

3D View

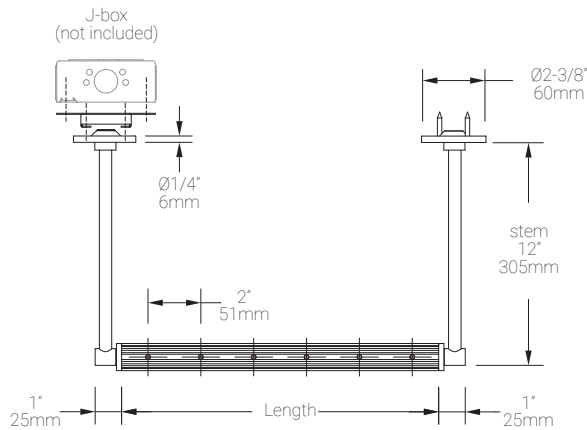


LED Fixture Dimensions (shown with C1 and a retrofit mounting plate)

Fixture



Front View

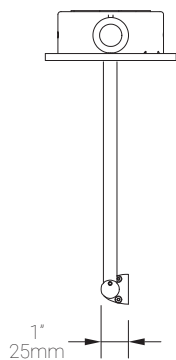


3D View

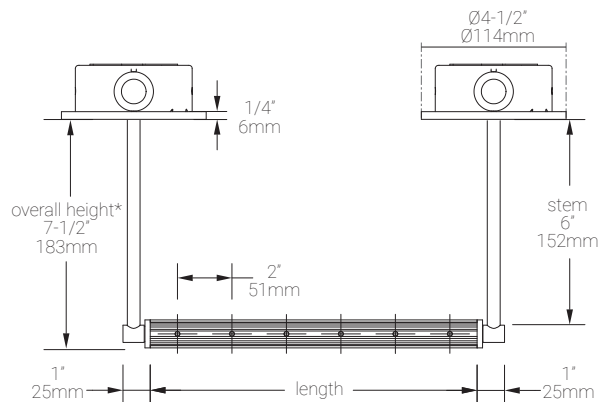


LED Fixture Dimensions (shown with C22 and a retrofit mounting plate)

Fixture



Front View



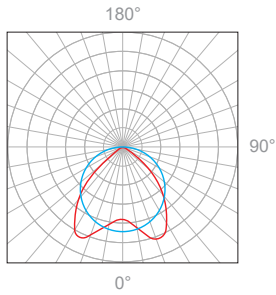
*Minimum overall height is 1-3/8" (35mm)

3D View



6W/ft, 3000K, 90+ CRI

Polar Candela Distribution



Illuminance at a Distance

Distance		Center Beam fc	Beam Width			
1.0ft	0.30m	95fc	1.9ft	0.58m	2.0ft	0.61m
2.0ft	0.61m	23.7fc	3.8ft	1.16m	3.9ft	1.19m
3.0ft	0.91m	10.6fc	5.7ft	1.73m	5.9ft	1.80m
4.0ft	1.22m	5.9fc	7.6ft	2.31m	7.9ft	2.41m
5.0ft	1.52m	3.8fc	9.5ft	2.90m	9.9ft	3.01m
6.0ft	1.83m	2.6fc	11.4ft	3.47m	11.8ft	3.59m

Delivered Lumen: 276.3lm
 ■ Vertical Beam Spread: 86.9°
 ■ Horizontal Beam Spread: 89.2°

Appendix



MA matte clear anodized
shown with MB mounting bracket



BA black anodized
shown with MB mounting bracket



BZ bronze powder coated
shown with MB mounting bracket



MA matte clear anodized
shown with C1 canopy



MA matte clear anodized
shown with C22 canopy