

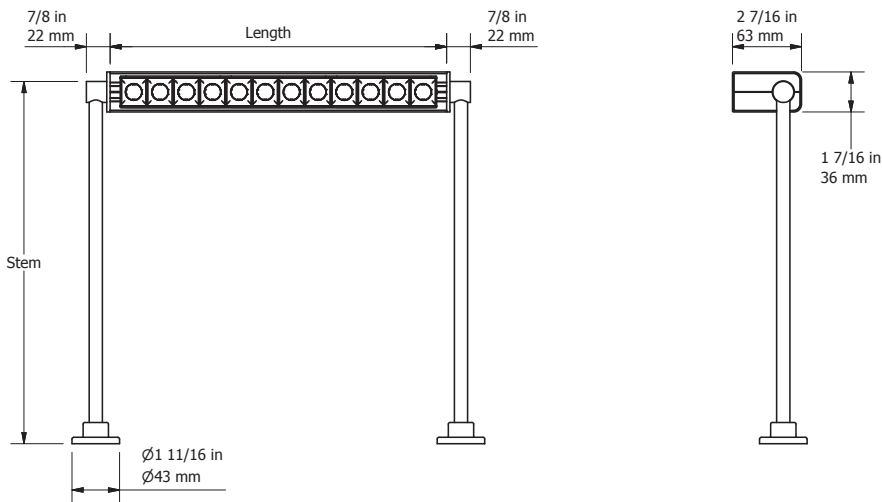
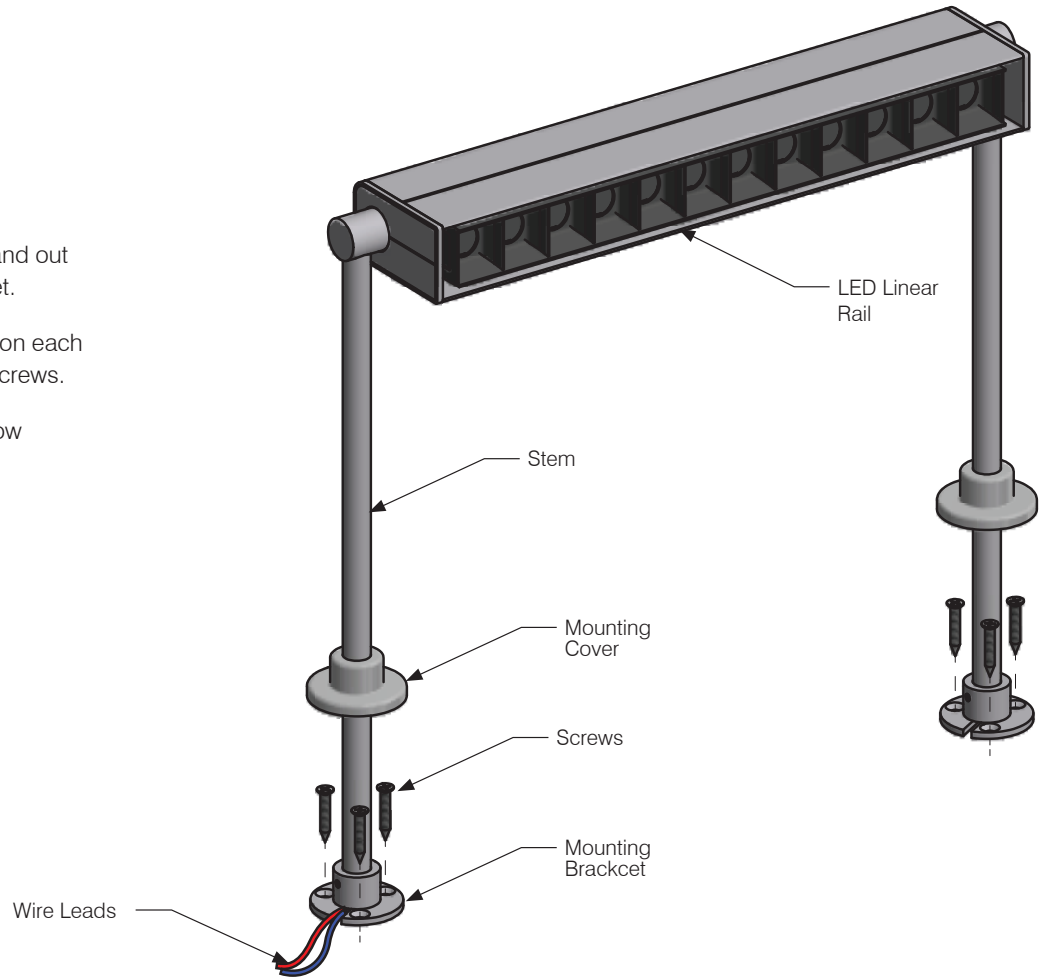
L167

Linear LED

Parts

LED Rail
Stem
Mounting Bracket
Mounting Cover
#8 Screws (Not Provided)

- 1) Pull leads through stem and out from the mounting bracket.
- 2) Install the mount bracket on each side with 3 countersunk screws.
- 3) Connect fixture wires to low voltage wiring.



 MP LIGHTING®

www.mplighting.com t 1.877.708.1184 f 604.708.1185

All technical information in this document is subject to change. Copyright © MP Lighting.

02-2020