

L167

INTERIOR

Linear | For walls, ceilings, display cases & desks

● Dry location



Ordering Information

Clear Form

Date : _____

Quantity : _____

Project : _____

Note : _____

Type : _____

Specifications

Luminaire | Example Code: L167-MB-A-1-W30H-N-6-MA

| Product | Mounting ¹ | Version | Fixture Length ² | CCT & CRI ³ | Beam Angle | Stem Length ⁴ | Finish ⁵ |
|-------------|---|------------------|--|---|--|--|--------------------------------|
| L167 | | 12 | | | | | MA |
| | MB mounting bracket | 12 12W/ft | 1 1ft approx. Exact: 11-1/5" (287mm) * Minimum 2 2ft approx. Exact: 1' 11-1/5" (574mm) 3 3ft approx. Exact: 2' 9-7/8" (861mm) 4 4ft approx. Exact: 3' 9-1/3" (1148mm) 5 5ft approx. Exact: 4' 8-1/2" (1435mm) 6 6ft approx. Exact: 5' 7-13/16" (1722mm) * Maximum | W22S 2200K 80+ W27H 2700K 90+ W30H 3000K 90+ W35H 3500K 90+ W41H 4100K 90+ | S spot 12° N narrow flood 30° | 0 no stem 6 6" (152mm) 12 12" (305mm) X custom length | MA matte clear anodized |
| | Canopy Options: C1 C22 | | | | | | |

System Components (Ordered Separately)

Remote Driver ⁶ : _____

Control System: _____

On/off control
Dimming: Reverse Phase (ELV), Forward Phase (TRIAC/MLV),
 0-10V, DMX, DALI, Casambi, Power over Ethernet

Important Notes

Specification

- Refer to pg.3 - Mounting Options & Dimensions for details.
- Minimum:** 1' (305mm) **Maximum:** 6' (1829mm), 1' (305mm) increments. Please see pg.3 - Dimension drawing for details.
- Minimum:** 6" (152mm) **Maximum:** 18" (458mm), 6" (152mm) increments
- Refer to pg.2 - for Light Quality & Colour Consistency details.
- Refer to Appendix or MP Lighting website for complete look of luminaire with different finish options.
- Consult [Recommended Driver](#) or factory.

Warranty Notes & Disclaimer

Malfunction and damage to product due to incompatible dimming system or misuse will not be covered under warranty. Consult MP Lighting for recommended drivers. If the fixture has an option to be installed with a dimming control system, consult a dimming system manufacturer with minimum load before installing. MP Lighting reserves the right, at its sole discretion, at any time and without notice, to make design changes to any of our products. Consult MP Lighting website for most updated documentation.

L167

INTERIOR

Linear | For walls, ceilings, display cases & desks

● Dry location



Performance

| Wattage | Forward Current | Power Consumption Budget per fixture (including driver) | LED output (Source) | Fixture Output (Delivered) |
|---------|-----------------|---|---------------------|----------------------------|
| 12W/ft | 500mA | 14W/ft | 1320 lm/ft | 616-631 lm/ft |

Application

| | |
|-------------|--|
| Environment | Dry Location approved. IP 52. |
| Mounting | Mounts with stem and mounting bracket/canopy. Comes with 6' (1829mm) wire lead |

Electrical

Power Supplies Remote LED drivers (120-277V AC input, **constant voltage output**): Fixtures to be wired in parallel.

Recommended (consult factory):

TLDAV100W24V04IB, 120-277V input, ELV dimming.
 TLDAV100W24V04IB, 120-277V input, 0-10V dimming.

Control

On/off control

Dimming: ELV or 0-10V dimming with appropriate drivers
Other options (consult factory): TRIAC/MLV, DMX, DALI, Casambi, Power over Ethernet

Luminaire Construction

| | |
|---------------------|--|
| LED Light Source | W22S = CCT: 2200K, CRI (Ra): 80+, Colour Consistency: 3SDCM W27H = CCT: 2700K, CRI (Ra): 90+, Colour Consistency: 2SDCM W30H = CCT: 3000K, CRI (Ra): 90+, Colour Consistency: 2SDCM W35H = CCT: 3500K, CRI (Ra): 90+, Colour Consistency: 2SDCM W41H = CCT: 4100K, CRI (Ra): 90+, Colour Consistency: 3SDCM |
| Standard Compliance | ✓ADA-compliant ✓WELL standard – Feature 58: Color Quality |
| Weight | 0.90 lbs (0.41 kg)/ft. Typical Aluminum Fixture. |
| Materials | Fixture: machined marine-grade aluminum with polycarbonate |
| Supplied with | Standard installation hardware: Comes with mounting bracket or mounting canopy Cable: 6' (1829mm) factory-installed wire lead |
| Warranty & LED Life | 5 years limited warranty Estimated useful life of LED is 50,000 hours. |

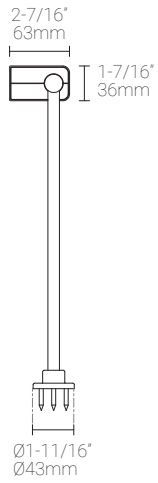
Ordered Separately

| | |
|-------------------|---|
| System Components | Power supplies: remote driver Please consult factory or visit Recommended Drivers for available driver options. |
|-------------------|---|

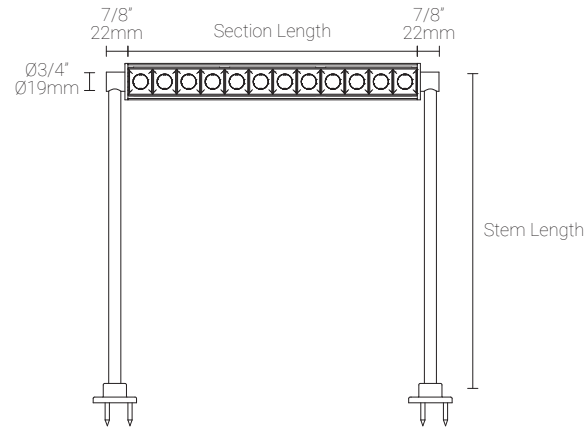
Mounting Options & Dimensions

LED Fixture Dimensions (shown with mounting bracket)

Fixture



Front View

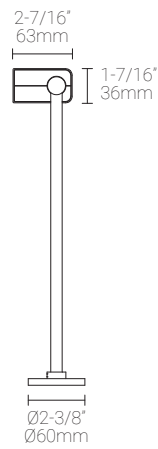


3D View

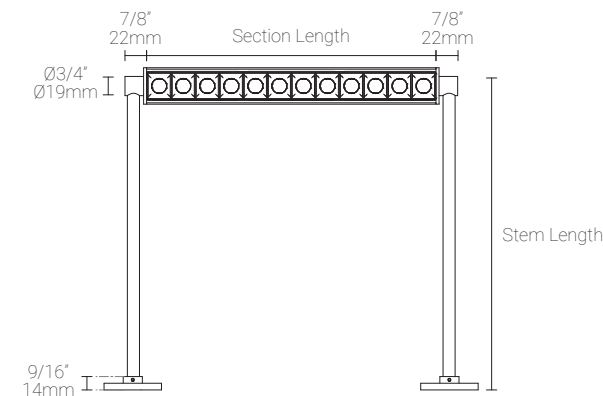


LED Fixture Dimensions (shown with C1)

Fixture



Front View

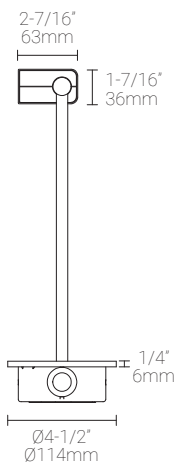


3D View

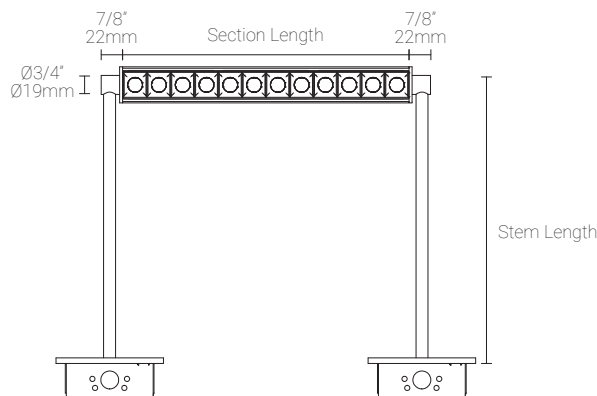


LED Fixture Dimensions (shown with C22)

Fixture



Front View

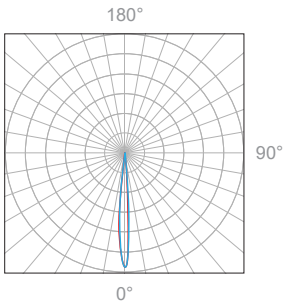


3D View

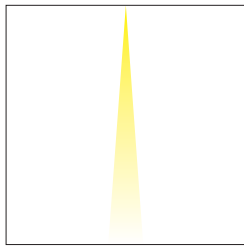


12W/ft, 3000K, 90+ CRI

Polar Candela Distribution



Beam Width: 12°

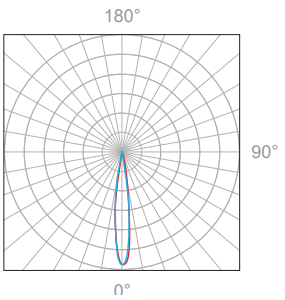


Illuminance at a Distance

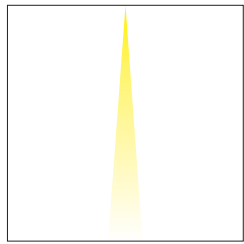
| Distance | | Center Beam fc | Beam Width | | | |
|----------|-------|----------------|------------|-------|-------|-------|
| 1.5ft | 0.46m | 3665fc | 0.3ft | 0.09m | 0.3ft | 0.09m |
| 3.0ft | 0.91m | 916fc | 0.7ft | 0.21m | 0.7ft | 0.21m |
| 4.5ft | 1.37m | 407fc | 1.0ft | 0.30m | 1.0ft | 0.30m |
| 6.0ft | 1.83m | 229fc | 1.3ft | 0.40m | 1.3ft | 0.40m |
| 7.5ft | 2.29m | 147fc | 1.6ft | 0.49m | 1.6ft | 0.49m |
| 9.0ft | 2.74m | 102fc | 2.0ft | 0.61m | 2.0ft | 0.61m |

Delivered Lumen: 616lm
 ■ Vertical Beam Spread: 12.6°
 ■ Horizontal Beam Spread: 12.5°

Polar Candela Distribution



Beam Width: 30°



Illuminance at a Distance

| Distance | | Center Beam fc | Beam Width | | | |
|----------|-------|----------------|------------|-------|-------|-------|
| 1.5ft | 0.46m | 771fc | 0.8ft | 0.24m | 0.8ft | 0.24m |
| 3.0ft | 0.91m | 178fc | 1.6ft | 0.49m | 1.6ft | 0.49m |
| 4.5ft | 1.37m | 79fc | 2.5ft | 0.76m | 2.5ft | 0.76m |
| 6.0ft | 1.83m | 44.4fc | 3.3ft | 1.01m | 3.3ft | 1.01m |
| 7.5ft | 2.29m | 28fc | 4.2ft | 1.28m | 4.2ft | 1.28m |
| 9.0ft | 2.74m | 20fc | 4.9ft | 1.52m | 4.9ft | 1.52m |

Delivered Lumen: 631lm
 ■ Vertical Beam Spread: 30.7°
 ■ Horizontal Beam Spread: 30.7°

Appendix



MA matte clear anodized shown with MB mounting bracket



MA matte clear anodized shown with C1 canopy



MA matte clear anodized shown with C22 canopy