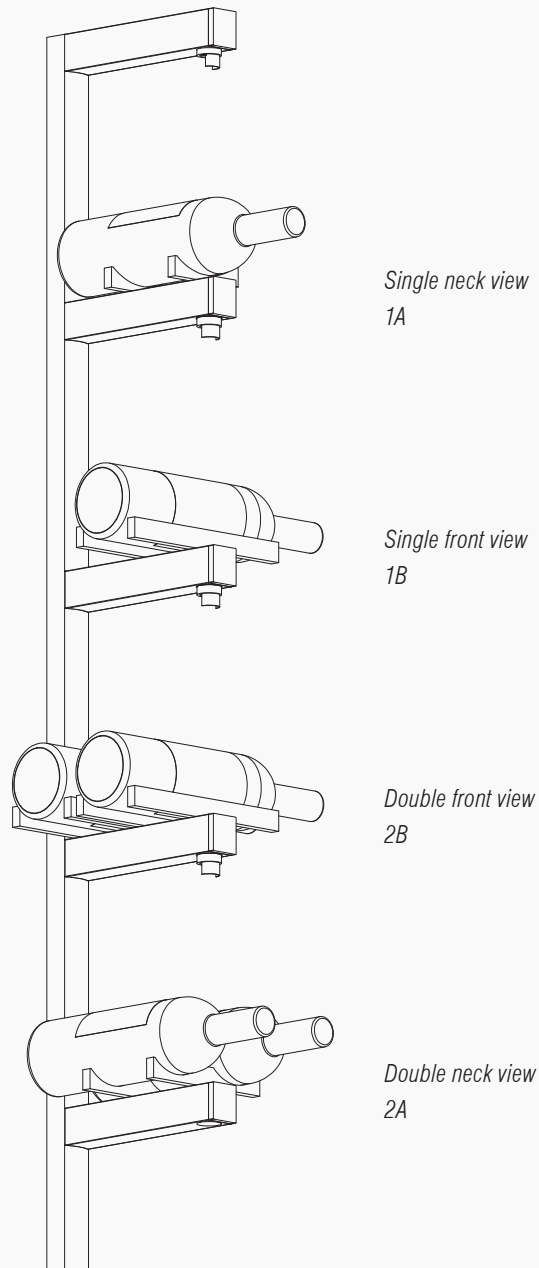
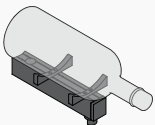


L182

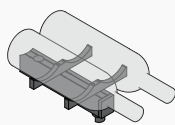
Modular Wine Rack



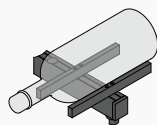
Cross Bar Options:



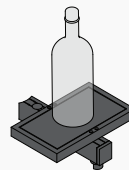
Single neck view
1A



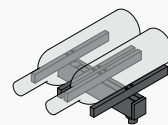
Double neck view
2A



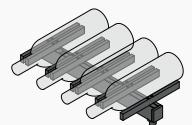
Single front view
1B



Single vertical view
1V



Double front view
2B



Four bottle front view
4B

L182

Wall Mount Wine Rack

Parts

Support rail
LED arm modules
Cross bars
Rail cover
Rail cover
Set-screw & set-screw cover

- 1) Drill holes and mount support rail to plywood wall or support structure. Recommended spacing every 2' for fasteners (supplied by others).

Mount arm modules by starting from the bottom working up.

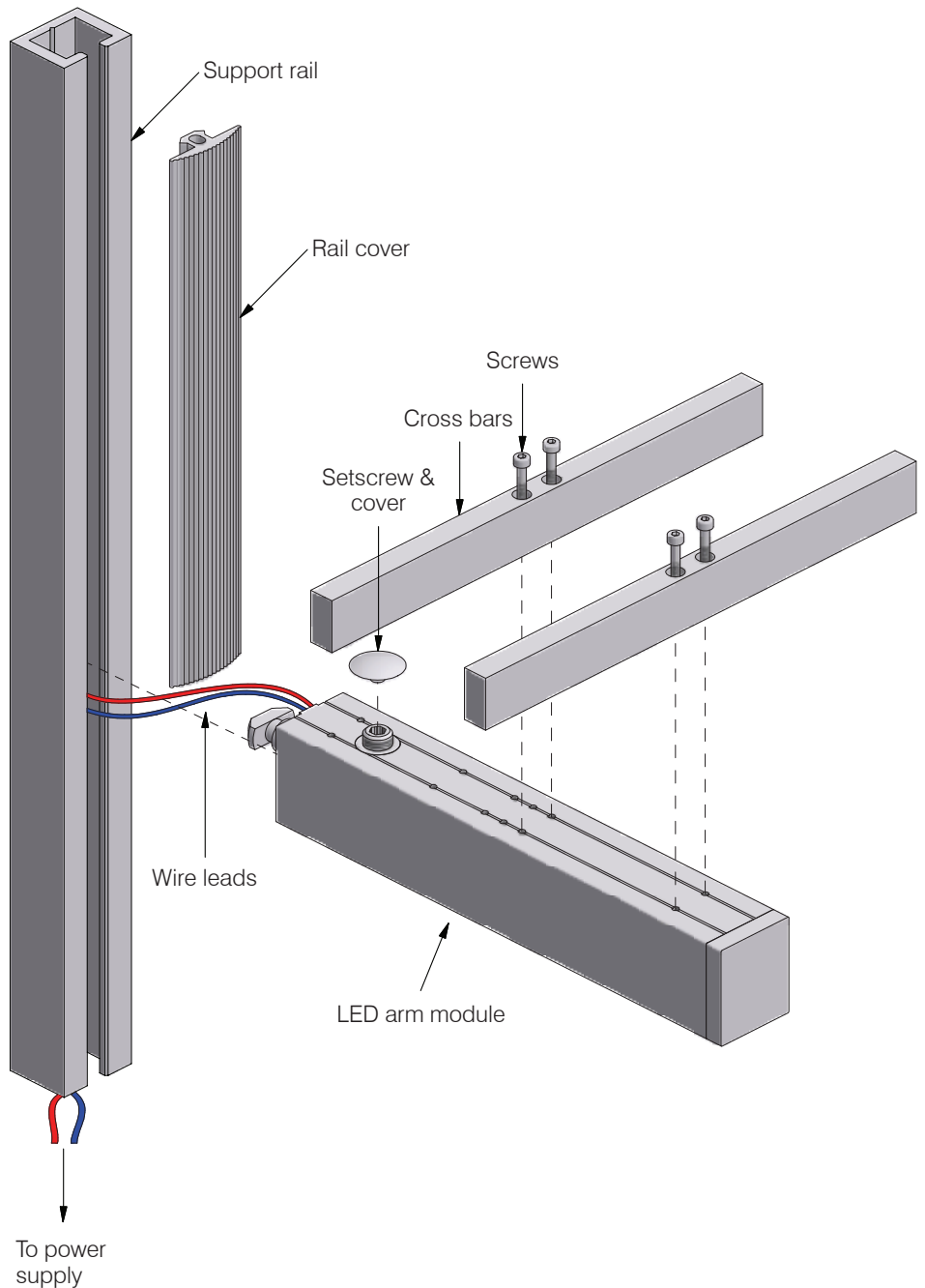
- 2) Insert wire leads.

- 3) Mount arm modules to rail by loosening hex head screw on arm without unscrewing all the way. Once loosened, the anchor head will move outward. Insert arm into slot in the rail and turn arm module 90°.

- 4) Trim rail cover to appropriate size and fit into place.

- 5) Install cross bars for holding wine bottle. Refer to following pages for different cross bar options.

- 6) Connect fixture wires to low voltage wiring (remote LED driver).



L182

Wall Mount Wine Rack

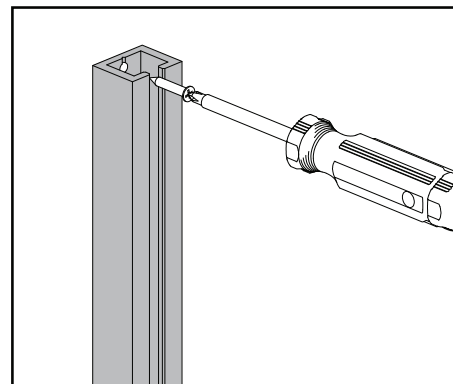
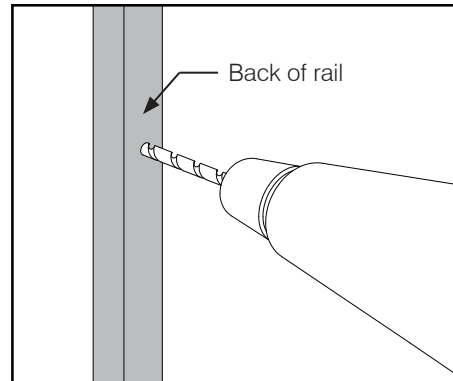
Parts

Support rail
LED arm modules
Wine bottle cross bars
Rail cover
Setscrew cover

Wall Mount

- 1) Drill holes and mount rail to plywood wall or support structure. Recommended spacing every 2' for fasteners (supplied by others).

Mount arm modules by starting from the bottom working up.



L182

Free Standing Wine Rack

Parts

Support rail

Mounting bracket (x2)

Locking piece (x2)

Allen key

Mounting screws (not included)

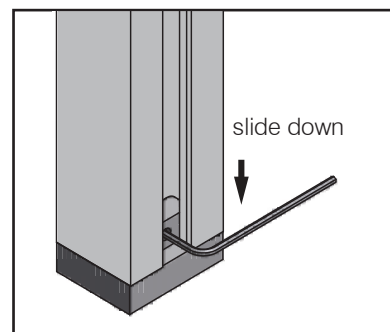
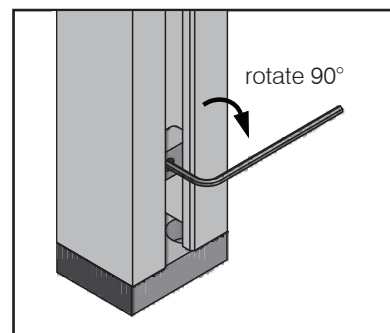
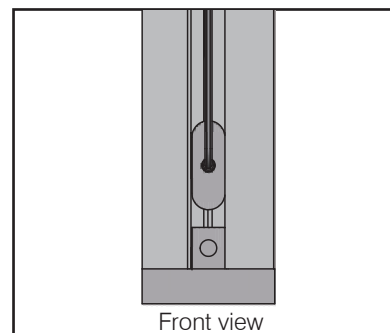
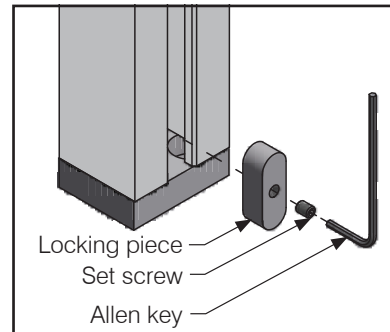
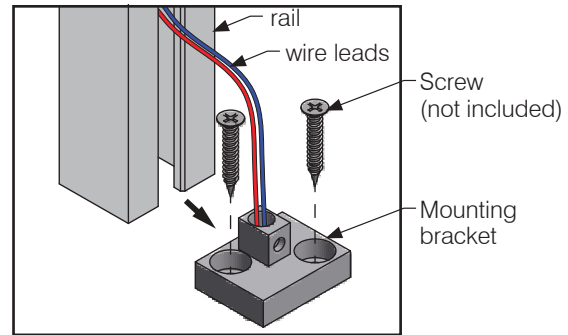
- 1) Position mounting bracket on to the ground and secure it with screws(not supplied). Repeat step for the mounting bracket on the ceiling.

Note: To ensure proper support, it is recommended to mount to a plywood wall or support structure. A plastic or lead anchor is recommended when mounting to concrete.

#8 screws are recommended on the mounting bracket. Screws will not be supplied.

- 2) Once mounting brackets (floor and ceiling) are secured, slide the rail into the mounting brackets. Insert the wire leads into the hole.
- 3) Use allen key on set screw and insert it into the locking piece.
- 4) Insert the locking piece into the slot of the rail.
- 5a) Hold onto the allen key and rotate the locking piece 90°. Slide the locking piece down with the allen key and rotate until set screw is secure.
- 6) Once locking piece is secured onto the mounting bracket, remove the allen key.

Apply same step for the mounting bracket on the ceiling



L182

Mount Cross Bars Arms

Parts

Support rail
LED arm modules
Wine bottle cross bars
Rail cover
Setscrew cover

Mount arm modules by starting from the bottom working up.

- 2) Insert wire leads.
- 3) Mount arm modules to rail by loosening hex head screw on arm without unscrewing all the way. Once loosened, the anchor head will move outward. Insert arm into slot in the rail and turn arm module 90°.
- 4) Position to correct height and lock setscrew with Allen key so arm is secure and holds position.
- 5) Cover screw by inserting setscrew cover.
- 6) Trim rail cover to appropriate size to cover rail between bars.

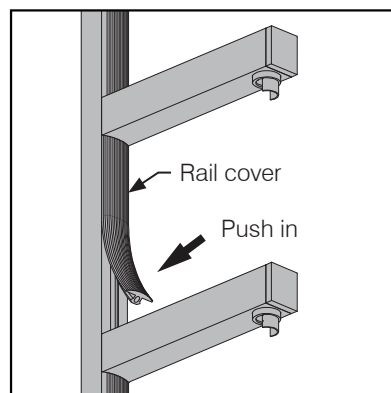
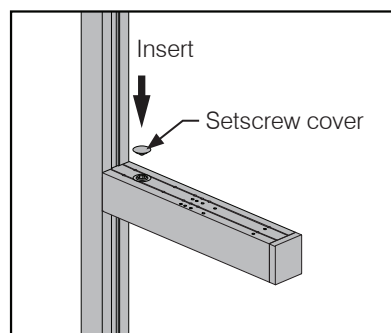
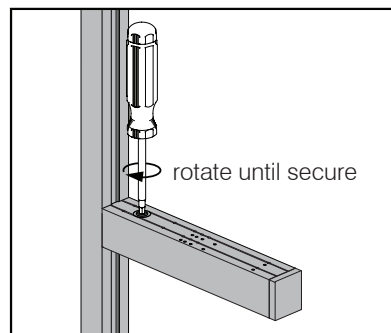
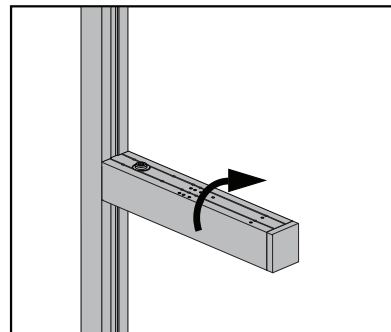
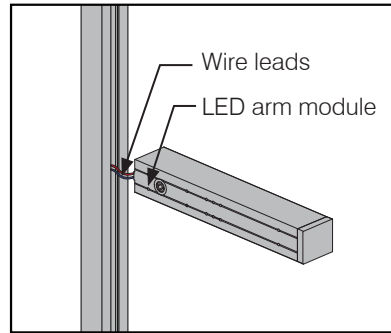
With rail cover facing down, cut with a utility knife using a ruler or straight edge to guide knife.

Push cover into slot in rail until the cover is flush against rail.

- 7) Install bars for holding wine bottle.

**Mounting instructions for cross bar options on the following page.*

- 8) Connect fixture wires to low voltage wiring (remote LED driver).

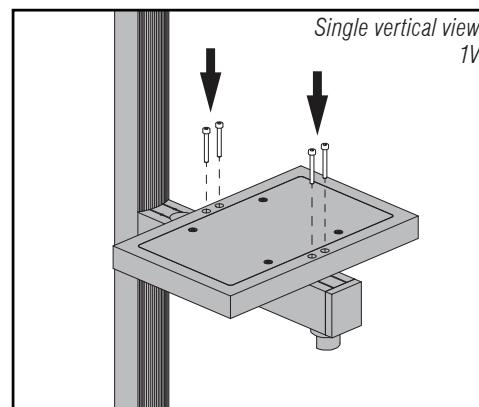
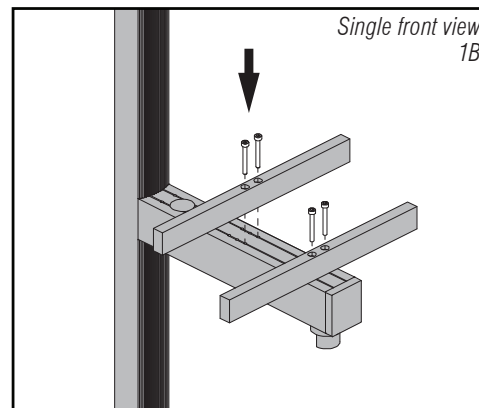
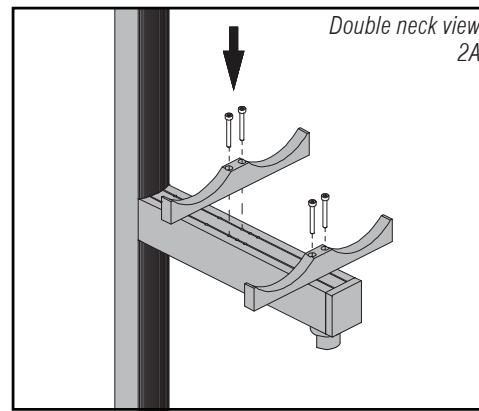
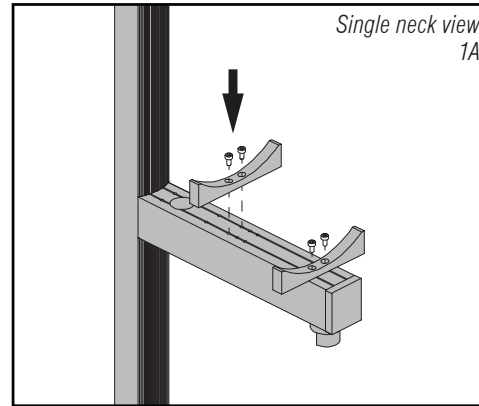


L182

Mount Cross Bars Arms

Mount bottle holder cross bars 1A, 2A, 1B:

- 1) Place first cross bar on the top of LED arm module and attach to the frontmost holes with provided screws.
- 2) To mount the second cross bar choose any of the last 3 holes depending on size of wine bottle.



Mount bottle holder cross bars 1V:

- 1) Place first cross bar on the top of LED arm module and attach to the frontmost holes with provided screws.
- 2) Mount the back of the cross bar with two screws to the matching holes on the LED arm module.

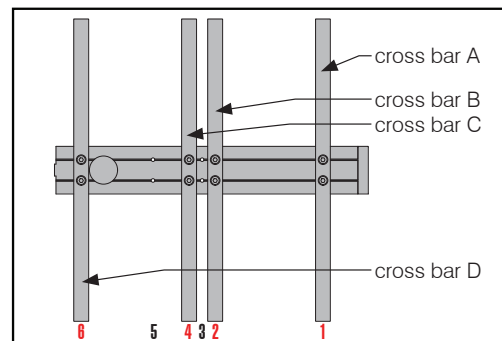
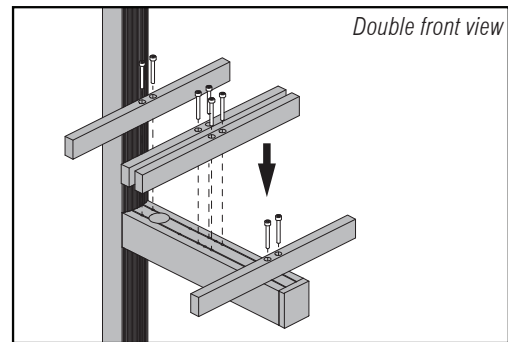
L182

Mount Cross Bars Arms

Mount double front view cross bars 2B

2 wine bottles

- 1) Cross bar A mounts to the hole 1 from the front of the arm.
- 2) Cross bar B mounts to the hole 2.
- 3) The third hole is left empty
- 4) Cross bar C mounts to the hole 4.
- 5) The fifth hole is left empty.
- 6) Cross bar D mounts to hole 6, the last hole on the arm.



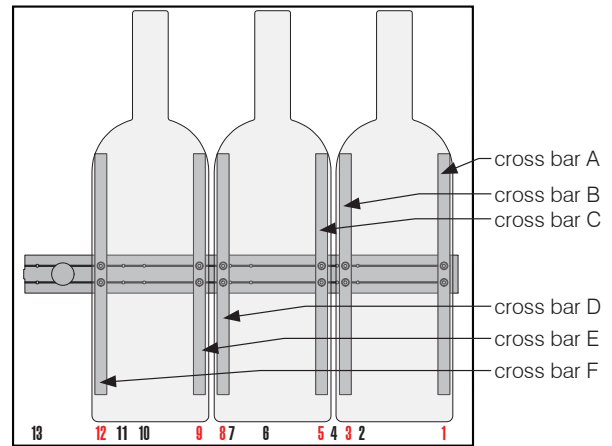
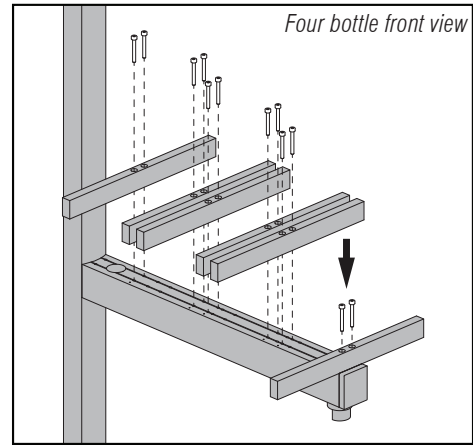
L182

Mount Cross Bars Arms

4B Cross Bar

3 magnum wine bottles

- 1) Cross bar A mounts to the hole 1 from the front of the arm.
- 2) Cross bar B mounts to the hole 3.
- 3) Cross bar C mounts to the hole 5.
- 4) Cross bar D mounts to the hole 8.
- 5) Cross bar E mounts to the hole 9.
- 6) Cross bar F mounts to the hole 12.



4 wine bottles

- 1) Cross bar A mounts to the hole 1 from the front of the arm.
- 2) Cross bar B mounts to the hole 2.
- 3) Cross bar C mounts to the hole 4.
- 4) Cross bar D mounts to the hole 6.
- 5) Cross bar E mounts to the hole 7.
- 6) Cross bar F mounts to the hole 10.
- 7) Cross bar G mounts to the hole 11.
- 8) Cross bar H mounts to the hole 13.

