



L191-1CT

INTERIOR

Pendant | For ceilings

● Dry location



Ordering Information

Clear Form

Date : _____

Quantity : _____

Project : _____

Note : _____

Type : _____

Specifications

Luminaire | Example Code: L191-1CT-C20-4-W30H-C72-BA

| Product | Canopy ¹ | Length | CCT & CRI ² | Cord/Stem Length ³ | Hardware Finish |
|-------------|---------------------|--------------|--|---|---|
| L191 | 1CT | | | | |
| | 1CT | 2 2' 4 4' | W22S 2200K 80+ W27H 2700K 90+ W30H 3000K 90+ W35H 3500K 90+ | Cord: C72 72" (1830mm) CX custom length Stem: S6 6" (152mm) SX custom length | BA black anodized WH white powder coated |

System Components (Ordered Separately)

Remote Driver : _____

* Consult MP Lighting Website or Factory.

Important Notes

Specification

- See pg.3-5 - for track dimensions.
- See pg.2 - for light quality and colour consistency details.
- 72" (1830mm) cord or 6" (152mm) stem is included. Consult factory for custom cord/stem length.

Warranty Notes & Disclaimer

Malfunction and damage to product due to incompatible dimming system or misuse will not be covered under warranty. Consult MP Lighting for recommended drivers. If the fixture has an option to be installed with a dimming control system, consult a dimming system manufacturer with minimum load before installing. MP Lighting reserves the right, at its sole discretion, at any time and without notice, to make design changes to any of our products. Consult MP Lighting website for most updated documentation.



L191-1CT

INTERIOR

Pendant | For ceilings

● Dry location



Performance

| Wattage | Forward Current | Power Consumption Budget per fixture (including driver) | LED output (Source) | Fixture Output (Delivered) |
|---------|-----------------|---|---------------------|----------------------------|
| 9W | 350mA | 10W | 990 lm | 264 lm |
| 17W | 700mA | 18W | 1870 lm | 527 lm |

Application

| | |
|-------------|---|
| Environment | Dry Location approved. IP 20. |
| Mounting | Mounts to 1CT track (adapter included). |

Electrical

| | |
|----------------|--|
| Power Supplies | Remote LED drivers (120-277V AC input, constant current output): Fixtures to be wired in series. Remote LED drivers (100-277V AC input, constant voltage output): Fixtures to be wired in parallel. |
| Control | On/off control Dimming: ELV or 0-10V dimming with appropriate drivers Other options (consult factory): TRIAC/MLV, DMX, DALI, Casambi, Power over Ethernet |

Luminaire Construction

| | |
|---------------------|--|
| LED Light Source | W22S = CCT: 2200K, CRI (Ra): 80+, Colour Consistency: 3SDCM W27H = CCT: 2700K, CRI (Ra): 90+, Colour Consistency: 3SDCM W30H = CCT: 3000K, CRI (Ra): 90+, Colour Consistency: 3SDCM W35H = CCT: 3500K, CRI (Ra): 90+, Colour Consistency: 3SDCM |
| Standard Compliance | ✓WELL standard – Feature 58: Color Quality |
| Weight | 2' pendant: 1.5lbs (0.7kg) 4' pendant: 2.5lbs (1.13kg) |
| Material | Fixture: machined marine-grade aluminum |
| Supplied with | Standard installation housing |
| Warranty & LED Life | 5 years limited warranty Estimated useful life of LED is 50,000 hours. |

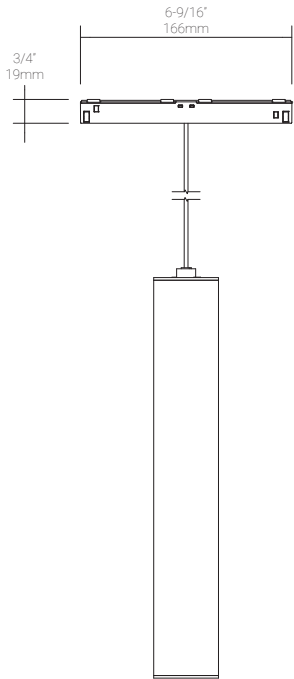
Ordered Separately

| | |
|-------------------|---|
| System Components | Power supplies: remote driver Please consult factory or visit Recommended Drivers for available driver options. |
|-------------------|---|

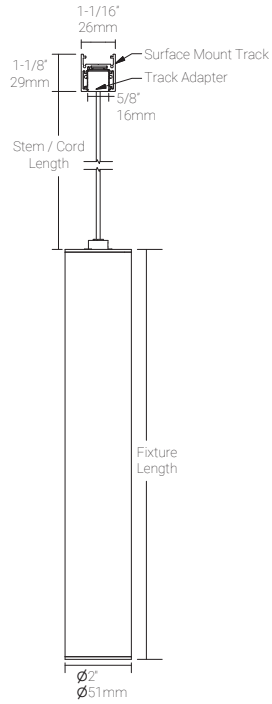
Mounting Options & Dimensions

LED Fixture Dimensions

Fixture



Front View

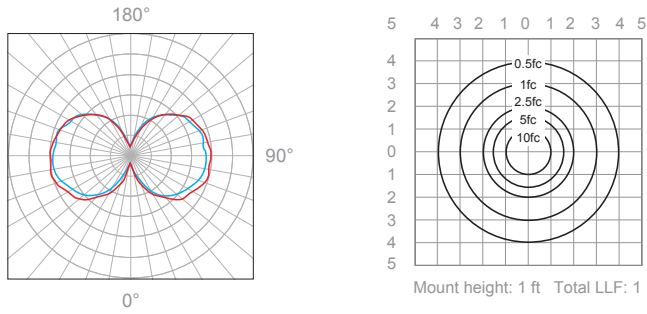


3D View



2', 9W, 3000K, 90+ CRI

Polar Candela Distribution



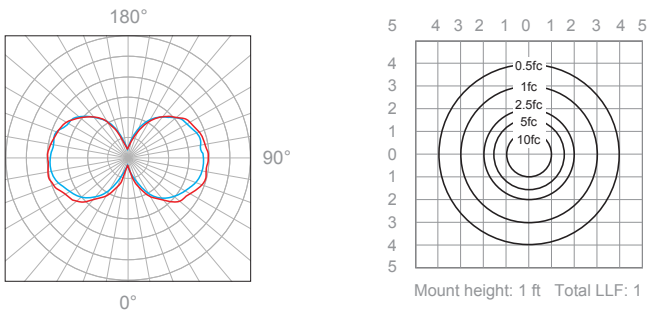
Illuminance at a Distance

| Distance | | Center Beam fc | Beam Width | | | |
|----------|-------|----------------|------------|-------|-------|-------|
| 1.0ft | 0.30m | 2.25fc | 0.1ft | 0.03m | 0.1ft | 0.03m |
| 2.0ft | 0.61m | 0.56fc | 0.2ft | 0.09m | 0.2ft | 0.09m |
| 3.0ft | 0.91m | 0.25fc | 0.3ft | 0.18m | 0.3ft | 0.18m |
| 4.0ft | 1.22m | 0.14fc | 0.4ft | 0.27m | 0.4ft | 0.27m |
| 5.0ft | 1.52m | 0.09fc | 0.5ft | 0.37m | 0.5ft | 0.37m |
| 6.0ft | 1.83m | 0.06fc | 0.6ft | 0.46m | 0.6ft | 0.46m |

Delivered Lumen: 264.2 lm
 ■ Vertical Beam Spread: 6°
 ■ Horizontal Beam Spread: 6°

4', 17W, 3000K, 90+ CRI

Polar Candela Distribution



Illuminance at a Distance

| Distance | | Center Beam fc | Beam Width | | | |
|----------|-------|----------------|------------|-------|-------|-------|
| 1.0ft | 0.30m | 4.24fc | 0.1ft | 0.03m | 0.1ft | 0.03m |
| 2.0ft | 0.61m | 1.06fc | 0.2ft | 0.09m | 0.2ft | 0.09m |
| 3.0ft | 0.91m | 0.47fc | 0.3ft | 0.18m | 0.3ft | 0.18m |
| 4.0ft | 1.22m | 0.27fc | 0.4ft | 0.27m | 0.4ft | 0.27m |
| 5.0ft | 1.52m | 0.17fc | 0.5ft | 0.37m | 0.5ft | 0.37m |
| 6.0ft | 1.83m | 0.12fc | 0.6ft | 0.46m | 0.6ft | 0.46m |

Delivered Lumen: 527.8 lm
 ■ Vertical Beam Spread: 6°
 ■ Horizontal Beam Spread: 6°

Full Spectrum

— Full Spectrum — Standard Illuminant @ 3000K — Ra≥80

