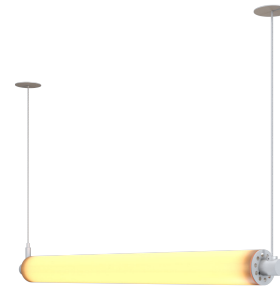


L196

INTERIOR

Pendant | For ceilings

● Dry location



Ordering Information

Clear Form

Date : _____

Quantity : _____

Project : _____

Note : _____

Type : _____

Specifications

Luminaire | Example Code: L196-C20-C-2'-W30H-C72-MA

Product	Power Canopy ¹	Mounting ²	Length	CCT & CRI ³	Cord/Stem Length ⁴	Hardware Finish
L196						MA
C1	C canopy		2 2'	W22S 2200K 80+	Cord:	MA matte clear anodized
C3	S stand off		4 4'	W27H 2700K 90+	C72 72" (1830mm)	
C4			6 6'	W30H 3000K 90+	CX custom length	
C20				W35H 3500K 90+	Stem:	
C22					S6 6" (152mm) SX custom length	

System Components (Ordered Separately)

Remote Driver : _____

* Consult MP Lighting Website or Factory.

Important Notes

Specification

- C20: only available with 2' option. See pg.3-5 - for different canopy options and its dimensions.
- When C (canopy) is selected, the matching canopy will be provided.
- See pg.2 - for light quality and colour consistency details.
- 72" (1830mm) cord or 6" (152mm) stem is included. Consult factory for custom cord/stem length.

Warranty Notes & Disclaimer

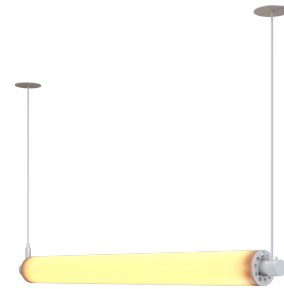
Malfunction and damage to product due to incompatible dimming system or misuse will not be covered under warranty. Consult MP Lighting for recommended drivers. If the fixture has an option to be installed with a dimming control system, consult a dimming system manufacturer with minimum load before installing. MP Lighting reserves the right, at its sole discretion, at any time and without notice, to make design changes to any of our products. Consult MP Lighting website for most updated documentation.

L196

INTERIOR

Pendant | For ceilings

● Dry location



Performance

Wattage	Forward Current	Power Consumption Budget per fixture (including driver)	LED output (Source)	Fixture Output (Delivered)
8W	350mA	9W	880 lm	264 lm
16W	700mA	17W	1760 lm	527 lm
24W	1050mA	25W	2640 lm	792 lm

Application

Environment	Dry Location approved. IP 20.
Mounting	C1/C3/C4: Mounts to a 4" octagonal box using the mounting canopy. C20: Recess mounts to a surface with coil spring clips. C22: Threaded to a 4" octagonal box with the adapter & bracket

Electrical

Power Supplies	Remote LED drivers (120-277V AC input, constant current output): Fixtures to be wired in series. Remote LED drivers (100-277V AC input, constant voltage output): Fixtures to be wired in parallel. Recommended for 6': 24V constant voltage driver, LED100W24VP-01 or LED100W24VZ-01.
Control	On/off control Dimming: ELV or 0-10V dimming with appropriate drivers Other options (consult factory): TRIAC/MLV, DMX, DALI, Casambi, Power over Ethernet

Luminaire Construction

LED Light Source	W22S = CCT: 2200K, CRI (Ra): 80+, Colour Consistency: 3SDCM W27H = CCT: 2700K, CRI (Ra): 90+, Colour Consistency: 3SDCM W30H = CCT: 3000K, CRI (Ra): 90+, Colour Consistency: 3SDCM W35H = CCT: 3500K, CRI (Ra): 90+, Colour Consistency: 3SDCM
Standard Compliance	✓ WELL standard – Feature 58: Color Quality
Weight	2' pendant: 1.5lbs (0.7kg) 4' pendant: 2.5lbs (1.13kg) 6' pendant: 3.5lbs (1.6kg)
Material	Fixture: machined marine-grade aluminum
Supplied with	Standard installation housing: Canopy. Refer to Installation Sheet for details. Cord/stem: 6' (1830mm) cord or 6" (152mm) stem is included. Consult factory for custom cord/stem length.
Warranty & LED Life	5 years limited warranty Estimated useful life of LED is 50,000 hours.

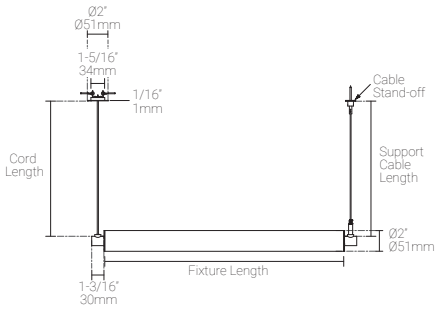
Ordered Separately

System Components	Power supplies: remote driver Please consult factory or visit Recommended Drivers for available driver options.
-------------------	---

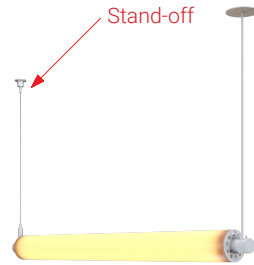
Mounting Options & Dimensions

LED Fixture Dimensions | Shown with C20 canopy & Stand-off

Fixture



3D View

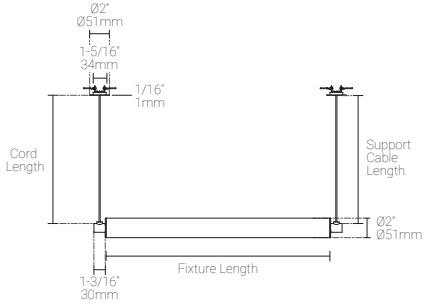


Beam

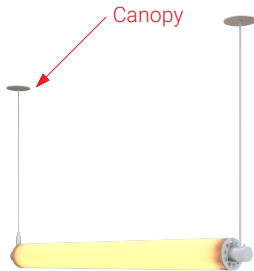


LED Fixture Dimensions | Shown with C20 canopies

Fixture



3D View



Beam



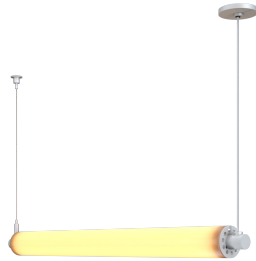
Mounting Options & Dimensions

C1

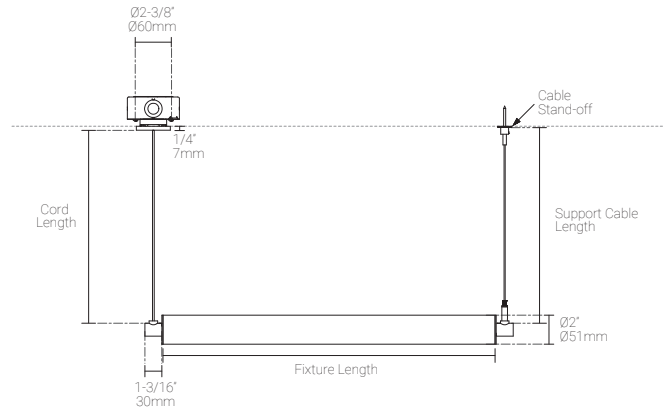
Canopy



Fixture with Canopy



Dimensions

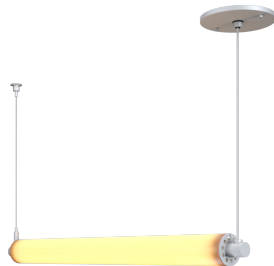


C3

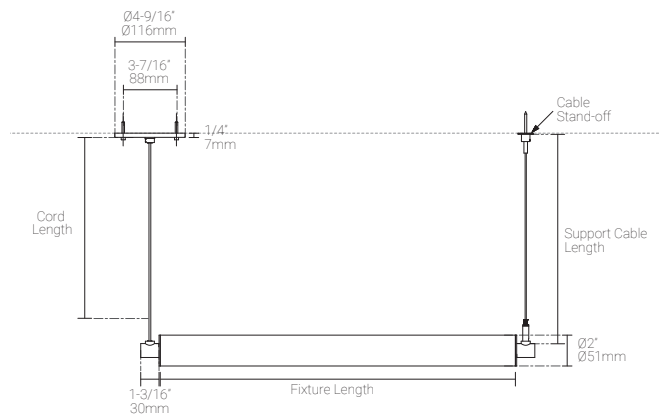
Canopy



Fixture with Canopy



Dimensions

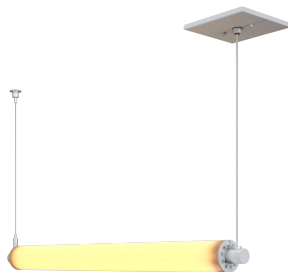


C4

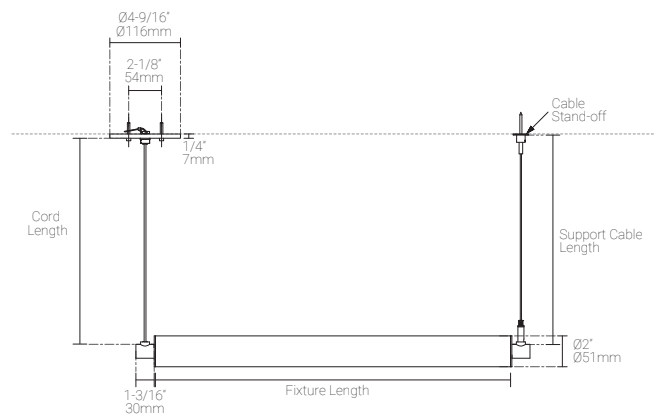
Canopy



Fixture with Canopy



Dimensions



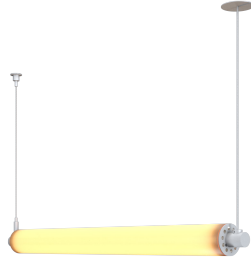
Mounting Options & Dimensions

C20

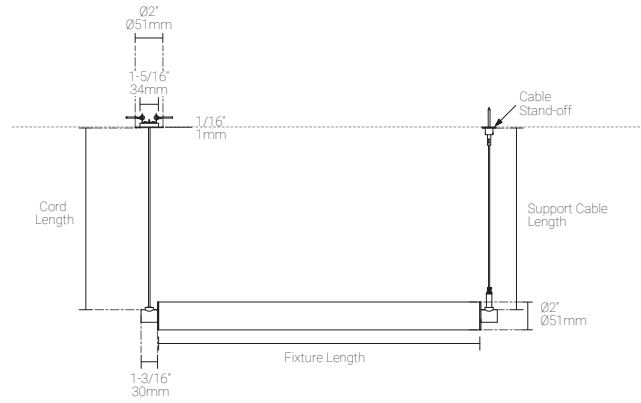
Canopy



Fixture with Canopy



Dimensions

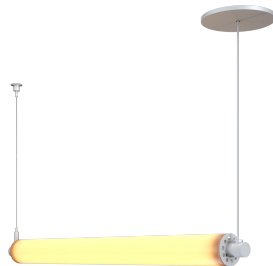


C22

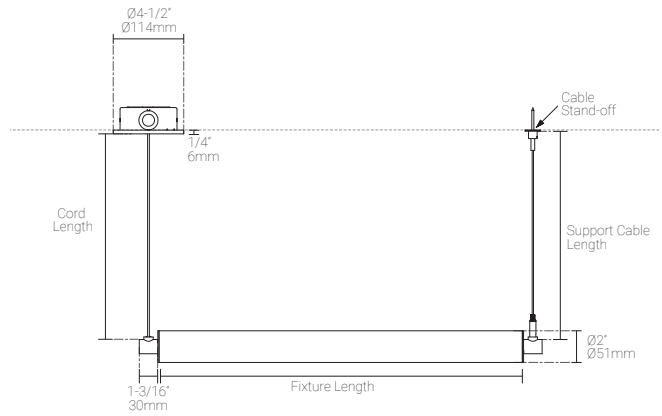
Canopy



Fixture with Canopy

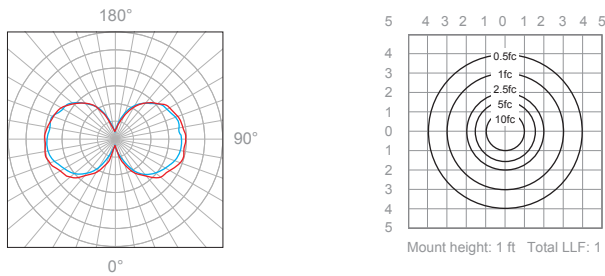


Dimensions



2', 8W, 3000K, 90+ CRI

Polar Candela Distribution



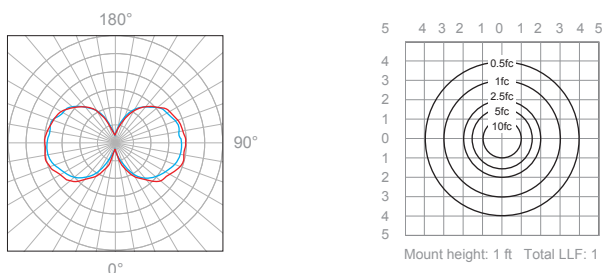
Illuminance at a Distance

Distance		Center Beam fc	Beam Width			
1.5ft	0.46m	37fc	0.1ft	0.03m	0.1ft	0.03m
3.0ft	0.91m	10fc	0.3ft	0.09m	0.3ft	0.09m
6.0ft	1.83m	3fc	0.6ft	0.18m	0.6ft	0.18m
9.0ft	2.74m	1.5fc	0.9ft	0.27m	0.9ft	0.27m
12.0ft	3.66m	0.92fc	1.2ft	0.37m	1.2ft	0.37m
15.0ft	4.57m	0.64fc	1.5ft	0.46m	1.5ft	0.46m
18.0ft	5.49m	0.49fc	1.8ft	0.55m	1.8ft	0.55m

Delivered Lumen: 264.2 lm
 ■ Vertical Beam Spread: 6°
 ■ Horizontal Beam Spread: 6°

4', 16W, 3000K, 90+ CRI

Polar Candela Distribution



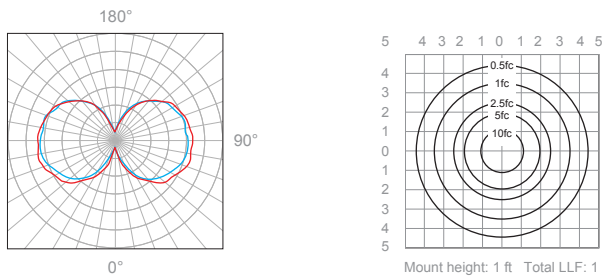
Illuminance at a Distance

Distance		Center Beam fc	Beam Width			
1.5ft	0.46m	62.9fc	0.1ft	0.03m	0.1ft	0.03m
3.0ft	0.91m	17fc	0.3ft	0.09m	0.3ft	0.09m
6.0ft	1.83m	6fc	0.6ft	0.18m	0.6ft	0.18m
9.0ft	2.74m	3fc	0.9ft	0.27m	0.9ft	0.27m
12.0ft	3.66m	1.84fc	1.2ft	0.37m	1.2ft	0.37m
15.0ft	4.57m	1.28fc	1.5ft	0.46m	1.5ft	0.46m
18.0ft	5.49m	0.98fc	1.8ft	0.55m	1.8ft	0.55m

Delivered Lumen: 527.8 lm
 ■ Vertical Beam Spread: 6°
 ■ Horizontal Beam Spread: 6°

6', 24W, 3000K, 90+ CRI

Polar Candela Distribution



Illuminance at a Distance

Distance		Center Beam fc	Beam Width			
1.5ft	0.46m	2.83fc	0.1ft	0.03m	0.1ft	0.03m
3.0ft	0.91m	0.71fc	0.3ft	0.09m	0.3ft	0.09m
6.0ft	1.83m	0.18fc	0.6ft	0.18m	0.6ft	0.18m
9.0ft	2.74m	0.18fc	0.9ft	0.27m	0.9ft	0.27m
12.0ft	3.66m	1.84fc	1.2ft	0.37m	1.2ft	0.37m
15.0ft	4.57m	1.28fc	1.5ft	0.46m	1.5ft	0.46m
18.0ft	5.49m	0.98fc	1.8ft	0.55m	1.8ft	0.55m

Delivered Lumen: 791.7 lm
 ■ Vertical Beam Spread: 6°
 ■ Horizontal Beam Spread: 6°

Full Spectrum

— Full Spectrum — Standard Illuminant @ 3000K — Ra≥80

