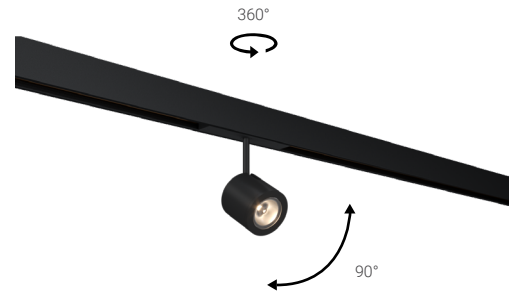


L224-1CT

INTERIOR

Spotlights | For 1CT track

● Dry location



Ordering Information

Clear Form

Date : _____

Quantity : _____

Project : _____

Note : _____

Type : _____

Specifications

Luminaire | Example Code: L224-1CT-M-12-8-W30H-W-2-MA

| Product | Canopy ¹ | Size | Voltage | Version | CCT & CRI | Beam Angle | Stem Length ² | Finish ³ |
|-------------|---------------------|----------|------------------|--------------|----------------------------------|-------------------|--------------------------------|--|
| L224 | 1CT | M | 12 | | | W | | |
| | 1CT | M medium | 12 12V 48 48V | 4 4W 8 8W | W27H 2700K 90+ W30H 3000K 90+ | W wide flood 100° | 2 2" (51mm) X custom length | Aluminum Finishes: BA black anodized WH white powder coated |

System Components (Ordered Separately)

Remote Driver : _____

* Consult MP Lighting Website or Factory.

Important Notes

Specification

- See pg.3 - for different canopy options and its dimensions.
- 1" (25mm) increments to maximum of 8" (2438mm). Minimum 4" (102mm) stem for C23 canopy.
- Refer to Appendix or MP Lighting website for complete look of luminaire with different finish options. Please consult factory for custom finish for shrouds. WH not available with Super Spot beam angle.

Warranty Notes & Disclaimer

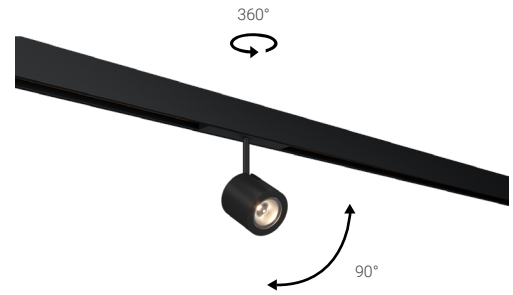
Malfunction and damage to product due to incompatible dimming system or misuse will not be covered under warranty. Consult MP Lighting for recommended drivers. If the fixture has an option to be installed with a dimming control system, consult a dimming system manufacturer with minimum load before installing. MP Lighting reserves the right, at its sole discretion, at any time and without notice, to make design changes to any of our products. Consult MP Lighting website for most updated documentation.

L224-1CT

INTERIOR

Spotlights | For 1CT track

● Dry location



Performance

| Wattage | Forward Current | Power Consumption Budget per fixture (including driver) | LED output (Source) | Fixture Output (Delivered) |
|---------|-----------------|---|---------------------|----------------------------|
| 4W | 350mA | 4W | 440 lm | 185.5 lm |
| 8W | 700mA | 8W | 880 lm | 319.5 lm |

Application

| | |
|-------------|---|
| Environment | Dry Location approved. IP 20. |
| Mounting | Mounts to a single circuit track with an adapter (included with fixture). |

Electrical

| | |
|------------|---|
| Electrical | Low Voltage 1 Circuit Track: 60W/12V 96W/48V Compatible Drivers 12V: 0-10V, ELV dimmable. 48V: 0-10V, DALI dimmable |
|------------|---|

Luminaire Construction

| | |
|---------------------|---|
| LED Light Source | Colour Consistency: 2-step MacAdam: 2700K, 3000K, 90+ CRI |
| Weight | N/A |
| Material | Fixture: machined marine-grade aluminum |
| Supplied with | Standard installation housing |
| Warranty & LED Life | 5 years limited warranty Estimated useful life of LED is 50,000 hours. |

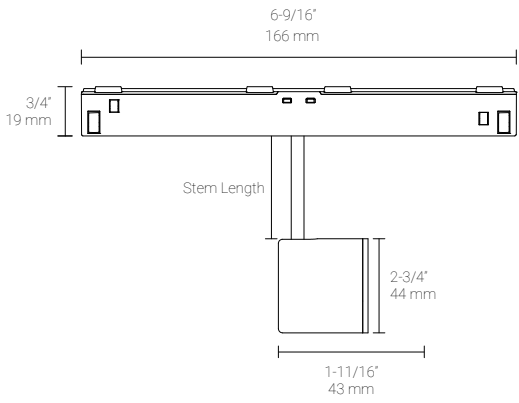
Ordered Separately

| | |
|-------------------|---|
| System Components | Power supplies: remote driver Please consult factory or visit Recommended Drivers for available driver options. |
|-------------------|---|

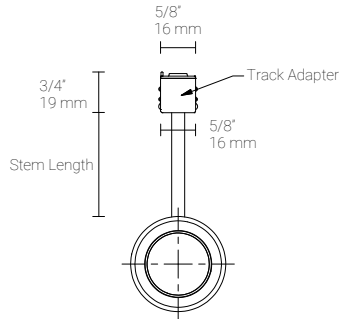
Mounting Options & Dimensions

LED Fixture Dimensions

Fixture



Front View



3D View



Appendix

Aluminum Finishes



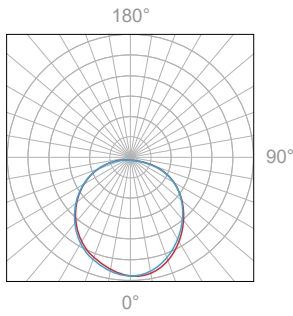
BA black anodized



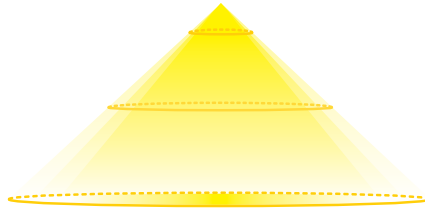
WH white powder coated

4W, 3000K, 90+ CRI

Polar Candela Distribution



Beam Width: 100°



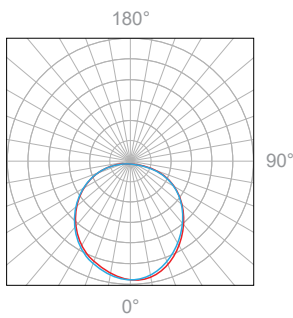
Illuminance at a Distance

| Distance | | Center Beam fc | Beam Width | | | |
|----------|-------|----------------|------------|--------|--------|--------|
| 3.0ft | 0.91m | 7.50fc | 7.9ft | 2.40m | 7.7ft | 2.34m |
| 6.0ft | 1.83m | 1.88fc | 15.8ft | 4.81m | 15.4ft | 4.69m |
| 9.0ft | 2.74m | 0.83fc | 23.8ft | 7.25m | 23.1ft | 7.01m |
| 12.0ft | 3.66m | 0.47fc | 31.7ft | 9.66m | 30.8ft | 9.38m |
| 15.0ft | 4.57m | 0.30fc | 39.6ft | 12.07m | 38.5ft | 11.73m |
| 18.0ft | 5.49m | 0.21fc | 47.5ft | 14.47m | 46.2ft | 14.08m |

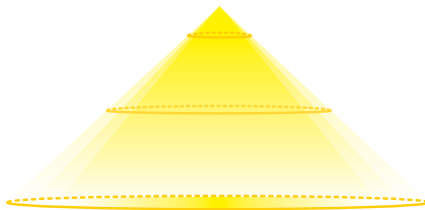
Delivered Lumen: 185.5 lm
 ■ Vertical Beam Spread: 105.7°
 ■ Horizontal Beam Spread: 104.2°

8W, 3000K, 90+ CRI

Polar Candela Distribution



Beam Width: 100°



Illuminance at a Distance

| Distance | | Center Beam fc | Beam Width | | | |
|----------|-------|----------------|------------|--------|--------|--------|
| 3.0ft | 0.91m | 13.0fc | 7.8ft | 2.37m | 7.6ft | 2.31m |
| 6.0ft | 1.83m | 3.26fc | 15.7ft | 4.78m | 15.3ft | 4.66m |
| 9.0ft | 2.74m | 1.45fc | 23.5ft | 7.16m | 22.9ft | 6.98m |
| 12.0ft | 3.66m | 0.82fc | 31.3ft | 9.54m | 30.5ft | 9.29m |
| 15.0ft | 4.57m | 0.52fc | 39.1ft | 11.91m | 38.1ft | 11.61m |
| 18.0ft | 5.49m | 0.36fc | 47.0ft | 14.32m | 45.8ft | 13.96m |

Delivered Lumen: 319.5 lm
 ■ Vertical Beam Spread: 105.1°
 ■ Horizontal Beam Spread: 103.6°