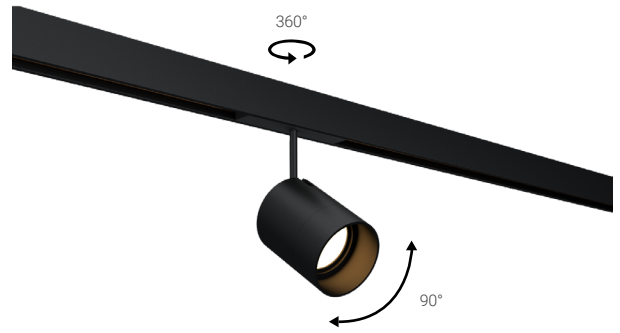


L225-1CT-L

INTERIOR

Spotlights | For 1CT track

● Dry location



Ordering Information

Clear Form

Date : _____

Quantity : _____

Project : _____

Note : _____

Type : _____

Specifications

Luminaire | Example Code: L225-1CT-L-13-W30H-N-2-BA

Product	Canopy ¹	Size	Version	CCT & CRI	Beam Angle	Accessories-Louver (optional)	Stem Length ³	Finish ⁴
L225	1CT	L	13					BA
	1CT	L large	13 13W	Standard LED Module: W27H 2700K 90+ W30H 3000K 90+ W35H 3500K 90+ W27V 2700K 97+ W30V 3000K 97+ Custom LED Module: Warm Dim: WD 1800K-3000K 95+	S spot 12° N narrow flood 30°	ELB eggcrate louver, black anodized	2 2" (51mm) X custom length	Aluminum Finishes: BA black anodized

System Components (Ordered Separately)

Remote Driver : _____

* Consult MP Lighting Website or Factory.

Important Notes

Specification

- See page 3 - for different canopy options and its dimensions.
- HLD is required for louvers or other accessories supplied on site.
- 1" (25mm) increments to maximum of 8' (2438mm). Minimum 4" (102mm) stem for C23 canopy.
- Refer to Appendix or MP Lighting website for complete look of luminaire with different finish options. Please consult factory for custom finish for shrouds.
- Warm Dim graph on page 4.
- W35 (3500K) not available with V (97+ CRI) option.

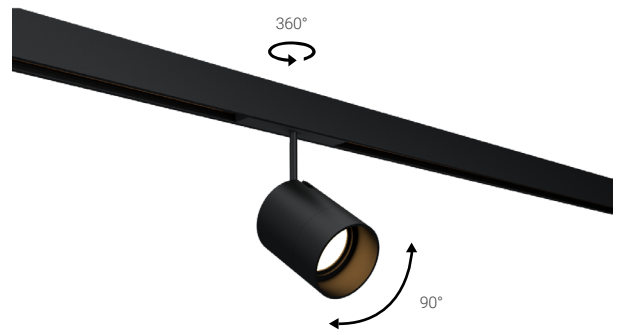
Warranty Notes & Disclaimer

Malfunction and damage to product due to incompatible dimming system or misuse will not be covered under warranty. Consult MP Lighting for recommended drivers. If the fixture has an option to be installed with a dimming control system, consult a dimming system manufacturer with minimum load before installing. MP Lighting reserves the right, at its sole discretion, at any time and without notice, to make design changes to any of our products. Consult MP Lighting website for most updated documentation.

L225-1CT-L

INTERIOR
Spotlights | For 1CT track

● Dry location



Performance

LED Module	Wattage	Forward Current	Power Consumption Budget per fixture (including driver)	LED output (Source)	Fixture Output (Delivered)
Standard	13W	350mA	16W	1430 lm	1,118-1,125 lm
Warm Dim	13W	350mA	16W	1430 lm	601-842 lm

Application

Environment	Dry Location approved. IP 20.
Mounting	Mounts to a single circuit track with an adapter (included with fixture).

Electrical

Electrical	Low Voltage 1 Circuit Track: 60W/12V Compatible Drivers 12V: 0-10V, ELV dimmable.
------------	--

Luminaire Construction

LED Light Source	W27H = CCT: 2700K, CRI (Ra): 90+, Colour Consistency: 2SDCM W30H = CCT: 3000K, CRI (Ra): 90+, Colour Consistency: 2SDCM W35H = CCT: 3500K, CRI (Ra): 90+, Colour Consistency: 2SDCM W27V = CCT: 2700K, CRI (Ra): 97+, Colour Consistency: 2SDCM W30V = CCT: 3000K, CRI (Ra): 97+, Colour Consistency: 2SDCM WD (Warm Dim) = CCT: 1800K~3000K, CRI (Ra): 95+
Weight	N/A
Material	Fixture: machined marine-grade aluminum
Supplied with	Standard installation housing
Warranty & LED Life	5 years limited warranty Estimated useful life of LED is 50,000 hours.

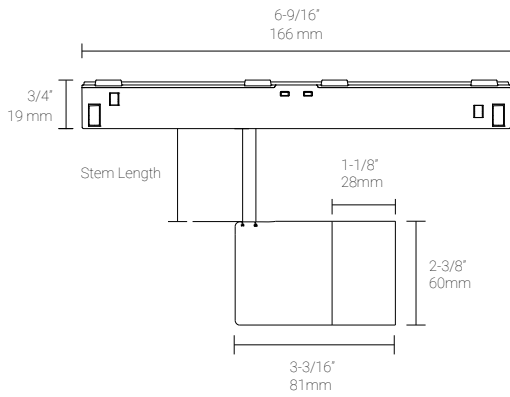
Ordered Separately

System Components	Power supplies: remote driver Please consult factory or visit Recommended Drivers for available driver options.
-------------------	---

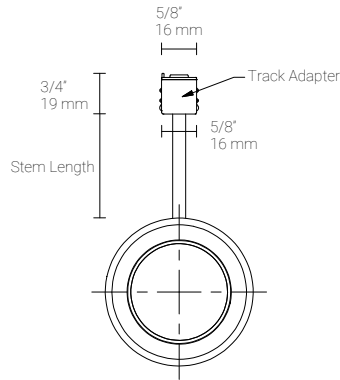
Mounting Options & Dimensions

LED Fixture Dimensions

Fixture



Front View



3D View



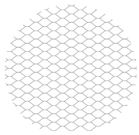
Appendix

Aluminum Finishes with CS



BA black anodized

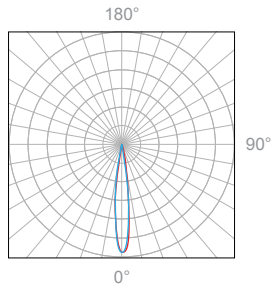
Accessories



ELB eggcrate louver black anodized

13W, Warm Dim (with paper filter), 90+ CRI

Polar Candela Distribution



Beam Width: 12°

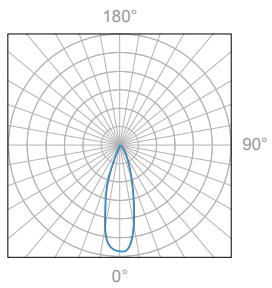


Illuminance at a Distance

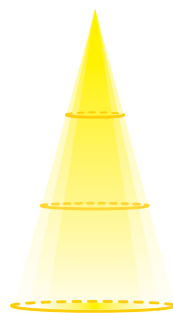
Distance		Center Beam fc	Beam Width			
3.0ft	0.91m	188fc	1.4ft	0.42m	1.3ft	0.39m
6.0ft	1.83m	46.9fc	2.7ft	0.82m	2.7ft	0.82m
9.0ft	2.74m	20.9fc	4.1ft	1.25m	4.0ft	1.22m
12.0ft	3.66m	11.7fc	5.4ft	1.64m	5.4ft	1.64m
15.0ft	4.57m	7.51fc	6.8ft	2.07m	6.7ft	2.04m
18.0ft	5.49m	5.22fc	8.2ft	2.50m	8.1ft	2.46m

Delivered Lumen: 628.1 lm
 ■ Vertical Beam Spread: 25.6°
 ■ Horizontal Beam Spread: 25.2°

Polar Candela Distribution



Beam Width: 30°



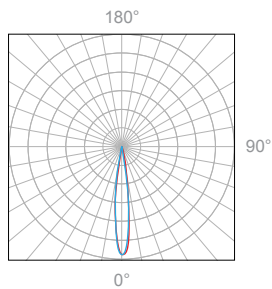
Illuminance at a Distance

Distance		Center Beam fc	Beam Width			
3.0ft	0.91m	114fc	2.0ft	0.61m	1.9ft	0.58m
6.0ft	1.83m	28.5fc	3.9ft	1.18m	3.9ft	1.18m
9.0ft	2.74m	12.7fc	5.9ft	1.79m	5.8ft	1.75m
12.0ft	3.66m	7.13fc	7.8ft	2.37m	7.7ft	2.34m
15.0ft	4.57m	4.57fc	9.8ft	2.98m	9.7ft	2.95m
18.0ft	5.49m	3.17fc	11.7ft	3.56m	11.6ft	3.53m

Delivered Lumen: 601.6 lm
 ■ Vertical Beam Spread: 36°
 ■ Horizontal Beam Spread: 35.7°

13W, Warm Dim (without paper filter), 90+ CRI

Polar Candela Distribution



Beam Width: 12°

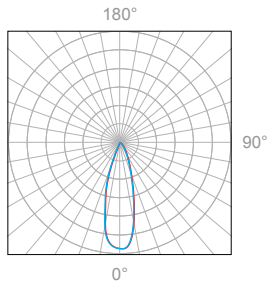


Illuminance at a Distance

Distance		Center Beam fc	Beam Width			
3.0ft	0.91m	375fc	1.1ft	0.33m	1.0ft	0.30m
6.0ft	1.83m	93.8fc	2.1ft	0.64m	2.1ft	0.64m
9.0ft	2.74m	41.7fc	3.2ft	0.97m	3.1ft	0.94m
12.0ft	3.66m	23.5fc	4.3ft	1.31m	4.2ft	1.28m
15.0ft	4.57m	15.0fc	5.4ft	1.64m	5.2ft	1.58m
18.0ft	5.49m	10.4fc	6.4ft	1.95m	6.3ft	1.92m

Delivered Lumen: 842.2 lm
 ■ Vertical Beam Spread: 20.2°
 ■ Horizontal Beam Spread: 19.7°

Polar Candela Distribution



Beam Width: 30°



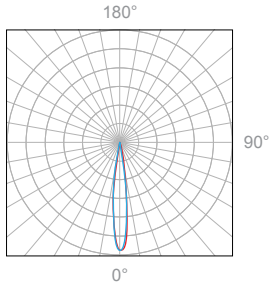
Illuminance at a Distance

Distance		Center Beam fc	Beam Width			
3.0ft	0.91m	161fc	2.0ft	0.61m	1.9ft	0.58m
6.0ft	1.83m	40.4fc	4.0ft	1.22m	3.7ft	1.12m
9.0ft	2.74m	17.9fc	5.9ft	1.79m	5.6ft	1.70m
12.0ft	3.66m	10.1fc	7.9ft	2.40m	7.5ft	2.28m
15.0ft	4.57m	6.46fc	9.9ft	3.01m	9.4ft	2.86m
18.0ft	5.49m	4.49fc	11.9ft	3.62m	11.2ft	3.41m

Delivered Lumen: 795.8 lm
 ■ Vertical Beam Spread: 36.5°
 ■ Horizontal Beam Spread: 34.6°

13W, 3500K, 90+ CRI

Polar Candela Distribution



Beam Width: 12°

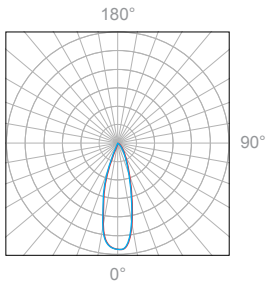


Illuminance at a Distance

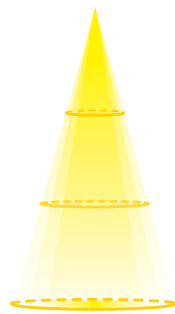
Distance		Center Beam fc	Beam Width			
3.0ft	0.91m	955fc	0.9ft	0.27m	0.9ft	0.27m
6.0ft	1.83m	236fc	1.8ft	0.54m	1.8ft	0.54m
9.0ft	2.74m	106fc	2.8ft	0.85m	2.7ft	0.82m
12.0ft	3.66m	59.7fc	3.7ft	1.12m	3.7ft	1.12m
15.0ft	4.57m	38.2fc	4.6ft	1.60m	4.6ft	1.60m
18.0ft	5.49m	26.5fc	5.5ft	1.67m	5.5ft	1.67m

Delivered Lumen: 1,125 lm
 ■ Vertical Beam Spread: 17.4°
 ■ Horizontal Beam Spread: 17.3°

Polar Candela Distribution



Beam Width: 30°



Illuminance at a Distance

Distance		Center Beam fc	Beam Width			
3.0ft	0.91m	482fc	1.4ft	0.42m	1.4ft	0.42m
6.0ft	1.83m	120fc	2.8ft	0.85m	2.8ft	0.85m
9.0ft	2.74m	53.6fc	4.2ft	1.28m	4.2ft	1.28m
12.0ft	3.66m	30.1fc	5.6ft	1.70m	5.6ft	1.70m
15.0ft	4.57m	19.3fc	7.0ft	2.13m	7.1ft	2.16m
18.0ft	5.49m	13.4fc	8.5ft	2.59m	8.5ft	2.59m

Delivered Lumen: 1,118.4 lm
 ■ Vertical Beam Spread: 26.4°
 ■ Horizontal Beam Spread: 26.5°