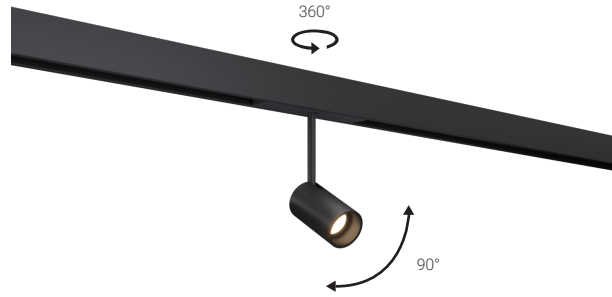


L225-1CT-S

INTERIOR
Spotlights | For 1CT track

● Dry location



Ordering Information

Clear Form

Date : _____

Quantity : _____

Project : _____

Note : _____

Type : _____

Specifications

Luminaire | Example Code: L225-1CT-S-12-2-W30H-N-CS-2-BA

Product	Canopy ¹	Size	Voltage	Version	CCT & CRI ²	Beam Angle	Accessories-Holder ³ (optional)	Shroud	Stem Length ⁴	Finish ⁵
L225		S								
	1CT	S small	12 12V 48 48V	1 1W 2 2W	W22S 2200K 80+ W27H 2700K 90+ W30H 3000K 90+ W35H 3500K 90+ W41H 4100K 90+:	SS super spot 7° S spot 12° N narrow flood 30° F flood 45°	HLD louver holder	FS full shroud CS cylinder shroud	2 2' (51mm) X custom length	Aluminum Finishes: BA black anodized WH white powder coat

System Components (Ordered Separately)

Remote Driver : _____

* Consult MP Lighting Website or Factory.

Important Notes

Specification

- See pg.3 - for track dimensions.
- Refer to pg.2 - Electrical for Colour Consistency details.
- HLD is required for SS (super spot, 7°) lens, louver, or other accessories supplied on site.
- Maximum: 8' (2438mm), 1" (25mm) increments. Minimum 4" (102mm) stem for C23 canopy.
- Refer to Appendix or MP Lighting website for complete look of luminaire with different finish options. Please consult factory for custom finish for shrouds. WH not available with Super Spot beam angle.

Warranty Notes & Disclaimer

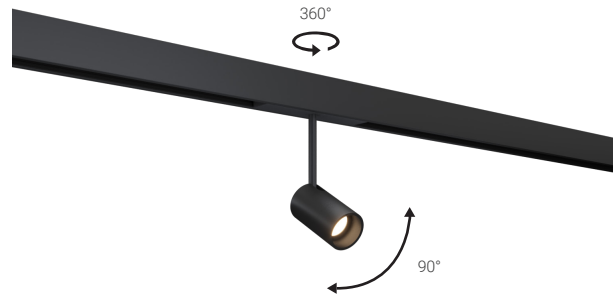
Malfunction and damage to product due to incompatible dimming system or misuse will not be covered under warranty. Consult MP Lighting for recommended drivers. If the fixture has an option to be installed with a dimming control system, consult a dimming system manufacturer with minimum load before installing. MP Lighting reserves the right, at its sole discretion, at any time and without notice, to make design changes to any of our products. Consult MP Lighting website for most updated documentation.

L225-1CT-S

INTERIOR

Spotlights | For 1CT track

● Dry location



Performance

Wattage	Forward Current	Power Consumption Budget per fixture (including driver)	LED output (Source)	Fixture Output (Delivered)
1W	350mA	1.2W	110 lm	65-75 lm
2W	700mA	2.9W	220 lm	129-149 lm

Application

Environment	Dry Location approved. IP 20.
Mounting	Mounts to a single circuit track with an adapter (included with fixture).

Electrical

Electrical	Low Voltage 1 Circuit Track: 60W/12V 96W/48V Compatible Drivers 12V: 0-10V, ELV dimmable. 48V: 0-10V, DALI dimmable
------------	---

Luminaire Construction

LED Light Source	W22S = CCT: 2200K, CRI (Ra): 80+, Colour Consistency: 3SDCM W27H = CCT: 2700K, CRI (Ra): 90+, Colour Consistency: 2SDCM W30H = CCT: 3000K, CRI (Ra): 90+, Colour Consistency: 2SDCM W35H = CCT: 3500K, CRI (Ra): 90+, Colour Consistency: 2SDCM W41H = CCT: 4100K, CRI (Ra): 90+, Colour Consistency: 3SDCM
Weight	N/A
Material	Fixture: machined marine-grade aluminum
Supplied with	Standard installation housing
Warranty & LED Life	5 years limited warranty Estimated useful life of LED is 50,000 hours.

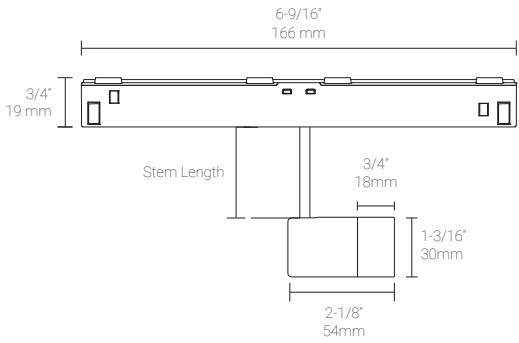
Ordered Separately

System Components	Power supplies: remote driver Please consult factory or visit Recommended Drivers for available driver options.
-------------------	---

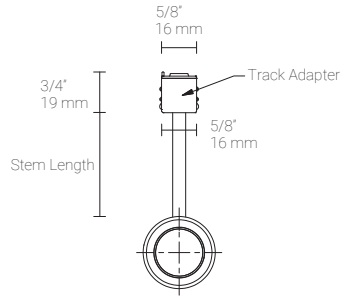
Mounting Options & Dimensions

LED Fixture Dimensions

Fixture



Front View



3D View



Appendix

Aluminum Finishes



BA black anodized



WH white powder coat

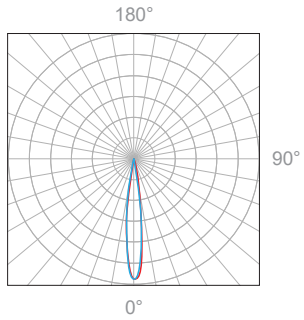
Accessories | Louver holder



BA black anodized

1W, 3000K, 90+ CRI

Polar Candela Distribution



Beam Width: 12°

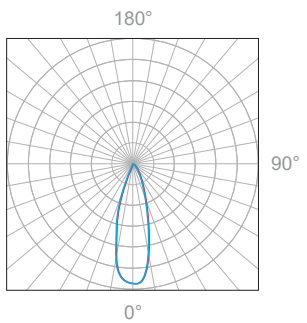


Illuminance at a Distance

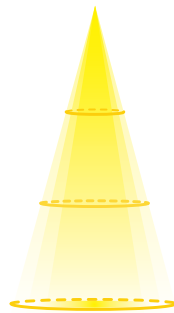
Distance		Center Beam fc	Beam Width			
3.0ft	0.91m	50.3fc	1.0ft	0.30m	1.0ft	0.30m
6.0ft	1.83m	12.6fc	2.1ft	0.64m	2.1ft	0.64m
9.0ft	2.74m	5.5fc	3.1ft	0.94m	3.1ft	0.94m
12.0ft	3.66m	3.1fc	4.1ft	1.25m	4.1ft	1.25m
15.0ft	4.57m	2.0fc	5.2ft	1.58m	5.2ft	1.58m
18.0ft	5.49m	1.4fc	6.2ft	1.89m	6.2ft	1.89m

Delivered Lumen: 65 lm
 ■ Vertical Beam Spread: 19.5°
 ■ Horizontal Beam Spread: 19.5°

Polar Candela Distribution



Beam Width: 30°

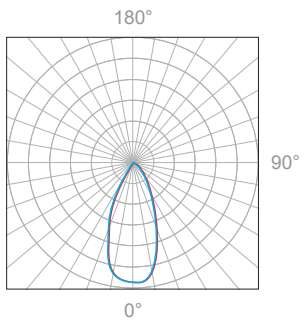


Illuminance at a Distance

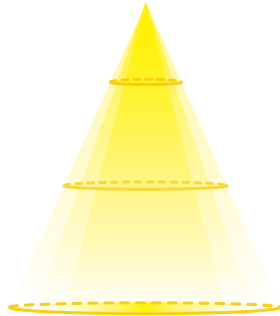
Distance		Center Beam fc	Beam Width			
3.0ft	0.91m	35fc	1.4ft	0.43m	1.4ft	0.43m
6.0ft	1.83m	8.7fc	2.9ft	0.88m	2.9ft	0.88m
9.0ft	2.74m	3.9fc	4.3ft	1.31m	4.3ft	1.31m
12.0ft	3.66m	2.1fc	5.7ft	1.74m	5.7ft	1.74m
15.0ft	4.57m	1.4fc	7.2ft	2.19m	7.2ft	2.19m
18.0ft	5.49m	0.9fc	8.6ft	2.62m	8.6ft	2.62m

Delivered Lumen: 75 lm
 ■ Vertical Beam Spread: 28.5°
 ■ Horizontal Beam Spread: 28.7°

Polar Candela Distribution



Beam Width: 45°



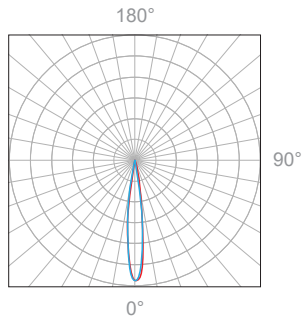
Illuminance at a Distance

Distance		Center Beam fc	Beam Width			
3.0ft	0.91m	13.8fc	2.5ft	0.76m	2.6ft	0.79m
6.0ft	1.83m	3.44fc	5.0ft	1.52m	5.1ft	1.55m
9.0ft	2.74m	1.53fc	7.5ft	2.28m	7.7ft	2.34m
12.0ft	3.66m	0.86fc	10.0ft	3.04m	10.3ft	3.14m
15.0ft	4.57m	0.55fc	12.5ft	3.81m	12.8ft	3.90m
18.0ft	5.49m	0.38fc	15.0ft	4.52m	15.4ft	4.69m

Delivered Lumen: 83.1 lm
 ■ Vertical Beam Spread: 45.1°
 ■ Horizontal Beam Spread: 46.3°

2W, 3000K, 90+ CRI

Polar Candela Distribution



Beam Width: 12°

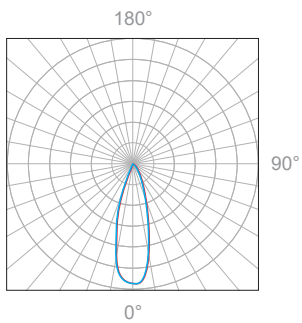


Illuminance at a Distance

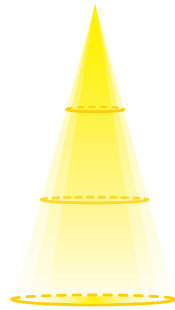
Distance		Center Beam fc	Beam Width			
3.0ft	0.91m	103fc	1.0ft	0.30m	1.0ft	0.30m
6.0ft	1.83m	25.9fc	2.0ft	0.60m	2.0ft	0.60m
9.0ft	2.74m	11.5fc	3.0ft	0.91m	3.0ft	0.91m
12.0ft	3.66m	6.47fc	4.0ft	1.22m	4.0ft	1.22m
15.0ft	4.57m	4.14fc	5.0ft	1.52m	5.0ft	1.52m
18.0ft	5.49m	1.87fc	6.0ft	1.83m	6.0ft	1.83m

Delivered Lumen: 129 lm
 ■ Vertical Beam Spread: 19°
 ■ Horizontal Beam Spread: 19°

Polar Candela Distribution



Beam Width: 30°

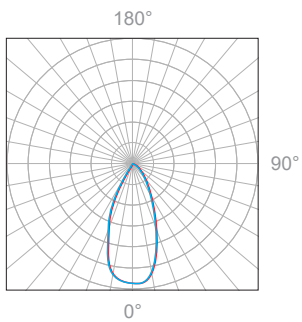


Illuminance at a Distance

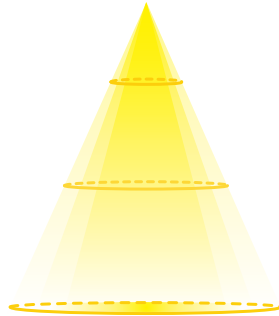
Distance		Center Beam fc	Beam Width			
3.0ft	0.91m	69.5fc	1.5ft	0.46m	1.5ft	0.46m
6.0ft	1.83m	17.4fc	3.0ft	0.91m	3.0ft	0.91m
9.0ft	2.74m	7.73fc	4.5ft	1.37m	4.5ft	1.37m
12.0ft	3.66m	4.35fc	6.0ft	1.83m	6.0ft	1.83m
15.0ft	4.57m	2.78fc	7.6ft	2.32m	7.6ft	2.32m
18.0ft	5.49m	1.93fc	9.1ft	2.77m	9.1ft	2.77m

Delivered Lumen: 149 lm
 ■ Vertical Beam Spread: 28.3°
 ■ Horizontal Beam Spread: 28.3°

Polar Candela Distribution



Beam Width: 45°



Illuminance at a Distance

Distance		Center Beam fc	Beam Width			
3.0ft	0.91m	24.7fc	2.5ft	0.76m	2.6ft	0.79m
6.0ft	1.83m	6.16fc	5.0ft	1.52m	5.2ft	1.58m
9.0ft	2.74m	2.74fc	7.5ft	2.28m	7.8ft	2.37m
12.0ft	3.66m	1.54fc	10.0ft	3.04m	10.4ft	3.17m
15.0ft	4.57m	0.99fc	12.5ft	3.81m	13.0ft	3.96m
18.0ft	5.49m	0.68fc	15.0ft	4.52m	15.6ft	4.75m

Delivered Lumen: 149.8 lm
 ■ Vertical Beam Spread: 45.2°
 ■ Horizontal Beam Spread: 46.7°