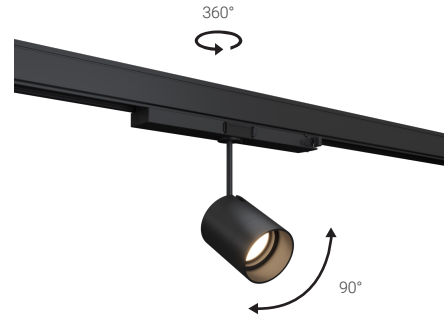


# L225-2CT-L

## INTERIOR

Spotlight | For Two Circuit Track

● Dry location



Shown with CS (Cylinder Shroud)

### Ordering Information

Clear Form

Date : \_\_\_\_\_

Quantity : \_\_\_\_\_

Project : \_\_\_\_\_

Note : \_\_\_\_\_

Type : \_\_\_\_\_

### Specifications

Luminaire | Example Code: L225-2CT-L-13-W30H-N-2-BA

Product	Canopy <sup>1</sup>	Size	Version	CCT & CRI	Beam Angle	Accessories-Louver (optional)	Stem Length <sup>3</sup>	Finish <sup>4</sup>
<b>L225</b>		<b>L</b>	<b>13</b>					
	<b>2CT</b> two circuit track	<b>L</b> large	<b>13</b> 13W	<b>Standard LED Module:</b> <b>W27H</b> 2700K 90+ <b>W30H</b> 3000K 90+ <b>W35H</b> 3500K 90+ <b>W27V</b> 2700K 97+ <b>W30V</b> 3000K 97+  <b>Custom LED Module:</b> <b>Warm Dim:</b> <b>WD</b> 1800K-3000K 95+	<b>S</b> spot 12° <b>N</b> narrow flood 30°	<b>ELB</b> eggcrate louver, black anodized	<b>2</b> 2" (51mm) <b>X</b> custom length	<b>Aluminum Finishes:</b> <b>BA</b> black anodized <b>WH</b> white powder coated

### System Components (Ordered Separately)

Remote Driver : \_\_\_\_\_

\* Consult MP Lighting Website or Factory.

### Important Notes

#### Specification

- See page 3 - for track dimensions.
- HLD is required for louvers or other accessories supplied on site.
- 1" (25mm) increments to maximum of 8' (2438mm). Minimum 4" (102mm) stem for C23 canopy.
- Refer to Appendix or MP Lighting website for complete look of luminaire with different finish options. Please consult factory for custom finish for shrouds.
- Warm Dim graph on page 4.
- W35 (3500K) not available with V (97+ CRI) option.

#### Warranty Notes & Disclaimer

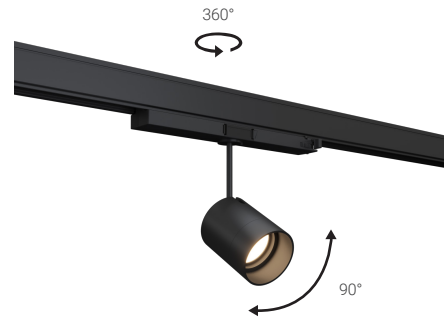
Malfunction and damage to product due to incompatible dimming system or misuse will not be covered under warranty. Consult MP Lighting for recommended drivers. If the fixture has an option to be installed with a dimming control system, consult a dimming system manufacturer with minimum load before installing. MP Lighting reserves the right, at its sole discretion, at any time and without notice, to make design changes to any of our products. Consult MP Lighting website for most updated documentation.

# L225-2CT-L

## INTERIOR

Spotlight | For Two Circuit Track

● Dry location



Shown with CS (Cylinder Shroud)

### Performance

LED Module	Wattage	Forward Current	Power Consumption Budget per fixture (including driver)	LED output (Source)	Fixture Output (Delivered)
Standard	13W	350mA	16W	1430 lm	700-731 lm
Warm Dim	13W	350mA	16W	1430 lm	601-842 lm

### Application

Environment	Dry Location approved. IP 20.
Mounting	Mounts to Two Circuit Track with Adapter (included with fixture).

### Electrical

Power Supplies	Remote LED drivers (120-277V AC input, <b>constant current output</b> ): Fixtures to be wired in series.
Control	<b>On/off control</b> <b>Dimming:</b> ELV or 0-10V dimming with appropriate drivers <b>Other options (consult factory):</b> TRIAC/MLV, DMX, DALI, Casambi, Power over Ethernet

### Luminaire Construction

LED Light Source	<b>W27H</b> = CCT: 2700K, CRI (Ra): 90+, Colour Consistency: 2SDCM <b>W30H</b> = CCT: 3000K, CRI (Ra): 90+, Colour Consistency: 2SDCM <b>W35H</b> = CCT: 3500K, CRI (Ra): 90+, Colour Consistency: 2SDCM  <b>W27V</b> = CCT: 2700K, CRI (Ra): 97+, Colour Consistency: 2SDCM <b>W30V</b> = CCT: 3000K, CRI (Ra): 97+, Colour Consistency: 2SDCM  <b>WD (Warm Dim)</b> = CCT: 1800K~3000K, CRI (Ra): 95+
Weight	N/A
Material	<b>Fixture:</b> machined marine-grade aluminum
Supplied with	<b>Standard installation housing:</b> Comes with a canopy, a universal crossbar, two hex socket head screws, two wire-nuts, and an allen key.
Warranty & LED Life	5 years limited warranty Estimated useful life of LED is 50,000 hours.

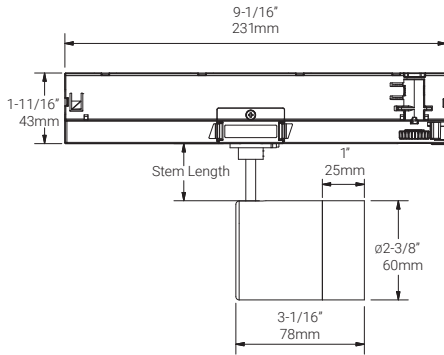
### Ordered Separately

System Components	<b>Power supplies:</b> remote driver Please consult factory or visit <a href="#">Recommended Drivers</a> for available driver options.
-------------------	---

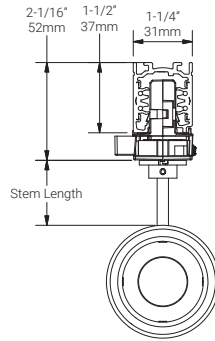
Mounting Options & Dimensions

LED Fixture Dimensions

Fixture



Front View

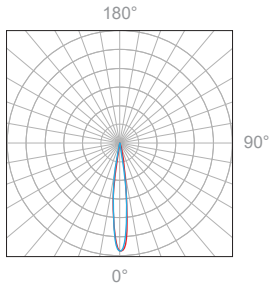


3D View



13W, 2700K, 90+ CRI

Polar Candela Distribution



Beam Width: 12°

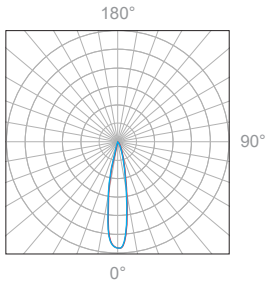


Illuminance at a Distance

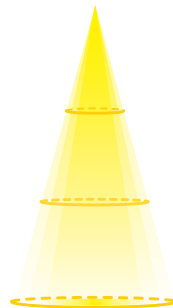
Distance		Center Beam fc	Beam Width			
3.0ft	0.91m	331.0fc	1.0ft	0.30m	1.0ft	0.30m
6.0ft	1.83m	82.9fc	2.0ft	0.61m	2.0ft	0.61m
9.0ft	2.74m	36.8fc	3.1ft	0.94m	3.1ft	0.94m
12.0ft	3.66m	20.7fc	4.1ft	1.25m	4.1ft	1.25m
15.0ft	4.57m	13.3fc	5.1ft	1.55m	5.1ft	1.55m
18.0ft	5.49m	9.21fc	6.1ft	1.86m	6.1ft	1.86m

Delivered Lumen: 699.9 lm  
■ Vertical Beam Spread: 19.4°  
■ Horizontal Beam Spread: 19.4°

Polar Candela Distribution



Beam Width: 30°



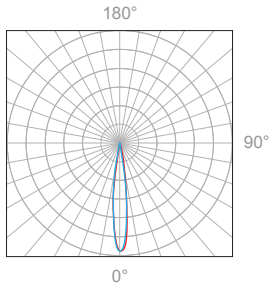
Illuminance at a Distance

Distance		Center Beam fc	Beam Width			
3.0ft	0.91m	206fc	1.6ft	0.48m	1.6ft	0.48m
6.0ft	1.83m	51.4fc	3.1ft	0.94m	3.1ft	0.94m
9.0ft	2.74m	22.8fc	4.7ft	1.43m	4.7ft	1.43m
12.0ft	3.66m	12.8fc	6.3ft	1.92m	6.3ft	1.92m
15.0ft	4.57m	8.22fc	7.9ft	2.40m	7.9ft	2.40m
18.0ft	5.49m	5.71fc	9.4ft	2.86m	9.4ft	2.86m

Delivered Lumen: 731.3 lm  
■ Vertical Beam Spread: 29.4°  
■ Horizontal Beam Spread: 29.4°

13W, Warm Dim (with paper filter), 90+ CRI

Polar Candela Distribution



Beam Width: 12°

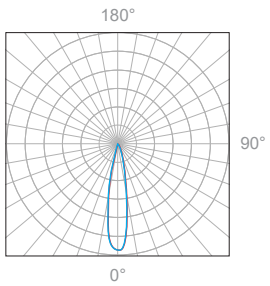


Illuminance at a Distance

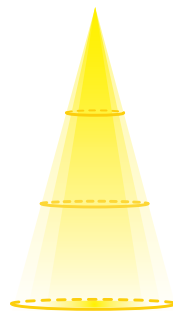
Distance		Center Beam fc	Beam Width			
3.0ft	0.91m	188fc	1.4ft	0.42m	1.3ft	0.39m
6.0ft	1.83m	46.9fc	2.7ft	0.82m	2.7ft	0.82m
9.0ft	2.74m	20.9fc	4.1ft	1.25m	4.0ft	1.22m
12.0ft	3.66m	11.7fc	5.4ft	1.64m	5.4ft	1.64m
15.0ft	4.57m	7.51fc	6.8ft	2.07m	6.7ft	2.04m
18.0ft	5.49m	5.22fc	8.2ft	2.50m	8.1ft	2.46m

Delivered Lumen: 628.1 lm  
 ■ Vertical Beam Spread: 25.6°  
 ■ Horizontal Beam Spread: 25.2°

Polar Candela Distribution



Beam Width: 30°



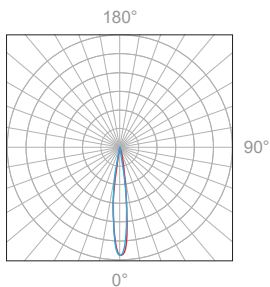
Illuminance at a Distance

Distance		Center Beam fc	Beam Width			
3.0ft	0.91m	114fc	2.0ft	0.61m	1.9ft	0.58m
6.0ft	1.83m	28.5fc	3.9ft	1.18m	3.9ft	1.18m
9.0ft	2.74m	12.7fc	5.9ft	1.79m	5.8ft	1.75m
12.0ft	3.66m	7.13fc	7.8ft	2.37m	7.7ft	2.34m
15.0ft	4.57m	4.57fc	9.8ft	2.98m	9.7ft	2.95m
18.0ft	5.49m	3.17fc	11.7ft	3.56m	11.6ft	3.53m

Delivered Lumen: 601.6 lm  
 ■ Vertical Beam Spread: 36°  
 ■ Horizontal Beam Spread: 35.7°

13W, Warm Dim (without paper filter), 90+ CRI

Polar Candela Distribution



Beam Width: 12°

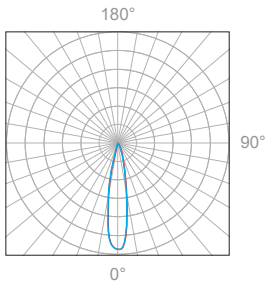


Illuminance at a Distance

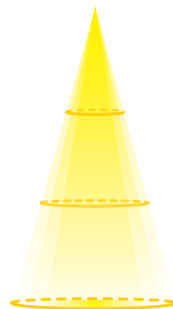
Distance		Center Beam fc	Beam Width			
3.0ft	0.91m	375fc	1.1ft	0.33m	1.0ft	0.30m
6.0ft	1.83m	93.8fc	2.1ft	0.64m	2.1ft	0.64m
9.0ft	2.74m	41.7fc	3.2ft	0.97m	3.1ft	0.94m
12.0ft	3.66m	23.5fc	4.3ft	1.31m	4.2ft	1.28m
15.0ft	4.57m	15.0fc	5.4ft	1.64m	5.2ft	1.58m
18.0ft	5.49m	10.4fc	6.4ft	1.95m	6.3ft	1.92m

Delivered Lumen: 842.2 lm  
 ■ Vertical Beam Spread: 20.2°  
 ■ Horizontal Beam Spread: 19.7°

Polar Candela Distribution



Beam Width: 30°



Illuminance at a Distance

Distance		Center Beam fc	Beam Width			
3.0ft	0.91m	161fc	2.0ft	0.61m	1.9ft	0.58m
6.0ft	1.83m	40.4fc	4.0ft	1.22m	3.7ft	1.12m
9.0ft	2.74m	17.9fc	5.9ft	1.79m	5.6ft	1.70m
12.0ft	3.66m	10.1fc	7.9ft	2.40m	7.5ft	2.28m
15.0ft	4.57m	6.46fc	9.9ft	3.01m	9.4ft	2.86m
18.0ft	5.49m	4.49fc	11.9ft	3.62m	11.2ft	3.41m

Delivered Lumen: 795.8 lm  
 ■ Vertical Beam Spread: 36.5°  
 ■ Horizontal Beam Spread: 34.6°