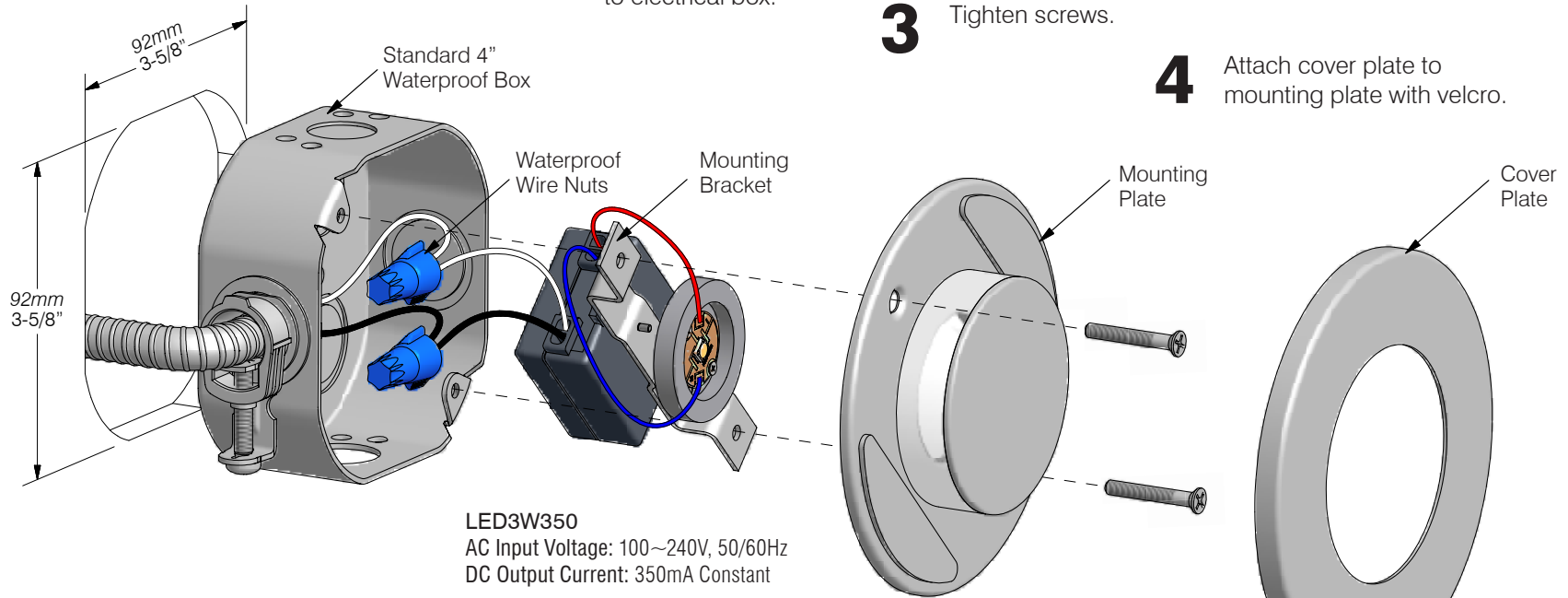


**1** Connect primary to driver input wires then fit into electrical box.

**2** Align mounting plate and mounting bracket to electrical box.

**3** Tighten screws.

**4** Attach cover plate to mounting plate with velcro.



**LED3W350**  
AC Input Voltage: 100~240V, 50/60Hz  
DC Output Current: 350mA Constant

**⚠ CAUTION**

• Read all instructions.

- **WARNING: RISK OF FIRE OR ELECTRICAL SHOCK:** Do not make or alter any openings in the compartment of wiring or electrical components during installation. Do not alter or add ballasts, or any other electrical components.
- Installation and use of this fixture mounting assembly requires a person familiar with the construction and operation of luminaire electrical systems and the hazards involved, if not qualified, do not attempt installation.
- Turn off power before installation.
- Do not over tighten screws.
- Do not spray water on fixture during cleaning. Avoid using detergents with hand softeners, anti-bacterial agents, glass cleaners or acrylic cleaning products.
- **KEEP THESE INSTALLATION INSTRUCTIONS.**

- For outdoor application use exterior rated enclosure compatible with local electrical code.
- For cast in concrete use appropriate box rated for cast in concrete. Consult local electrical code.

**Parts**

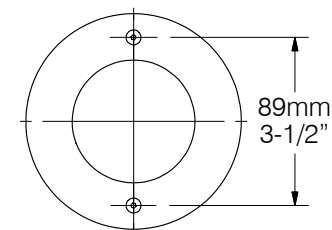
- Cover plate
- Cross countersunk screws
- Waterproof wire nuts
- Mounting plate
- Mounting bracket w/ LED driver 3W 350mA

**Qty. Remote Driver Option**

- 1 Connect fixture wires directly to low voltage box leads.

**Maintenance**

Use a soft cloth to remove any fingerprints and clean acrylic lens.



**L22**  
Installation Instructions