

L22

EXTERIOR | INTERIOR

Steplight | For walls, stairs, and walkways.

- Wet, Damp, and Dry location



Ordering Information

Clear Form

Date : _____

Quantity : _____

Project : _____

Note : _____

Type : _____

Specifications

Luminaire | Example Code: L22-2-W30H-F-S3

Product	Version	CCT & CRI ¹	Glass Cover	Trim Finish
L22			F	S3
	1 1W 2 2W	W22S 2200K 80+ W27H 2700K 90+ W30H 3000K 90+ W35H 3500K 90+ W41H 4100K 90+	F frosted	Stainless Steel Finish: S3 stainless steel 303

System Components (Ordered Separately)

Remote Driver : _____

* Consult MP Lighting Website or Factory.

Important Notes

Specification

1. Refer to pg.2 - for Light quality and colour consistency details.

Warranty Notes & Disclaimer

Malfunction and damage to product due to incompatible dimming system or misuse will not be covered under warranty. Consult MP Lighting for recommended drivers. If the fixture has an option to be installed with a dimming control system, consult a dimming system manufacturer with minimum load before installing. MP Lighting reserves the right, at its sole discretion, at any time and without notice, to make design changes to any of our products. Consult MP Lighting website for most updated documentation.

L22

EXTERIOR | INTERIOR

Steplight | For walls, stairs, and walkways.

- Wet, Damp, and Dry location



Performance

Wattage	Forward Current	Power Consumption Budget per fixture (including driver)	LED output (Source)	Fixture Output (Delivered)
1W	350mA	1.3W	110 lm	15.3 lm
2W	700mA	2.6W	275 lm	29.2 lm

Application

Environment	Dry / Damp / Wet Location approved. IP 66.
Drive Over Rating	N/A
Mounting	Mounts to standard 4"(102mm) octagonal back box (ordered separately), 1-1/2" (38mm) deep minimum.

Electrical

Power Supplies	Non-dimmable integral driver included (100-240V AC input). Compatible with remote driver for wet locations (not included).
Control	On/off control Dimming (consult factory): ELV or 0-10V dimming with appropriate drivers Other options (consult factory): TRIAC/MLV, DMX, DALI, Casambi, Power over Ethernet

Luminaire Construction

LED Light Source	W22S = CCT: 2200K, CRI (Ra): 80+, Colour Consistency: 3SDCM W27H = CCT: 2700K, CRI (Ra): 90+, Colour Consistency: 2SDCM W30H = CCT: 3000K, CRI (Ra): 90+, Colour Consistency: 2SDCM W35H = CCT: 3500K, CRI (Ra): 90+, Colour Consistency: 3SDCM (Contact factory for 2SDCM option) W41H = CCT: 4100K, CRI (Ra): 90+, Colour Consistency: 3SDCM
Standard Compliance	✓ADA-compliant ✓WELL standard – Feature 58: Color Quality
Weight	0.99 lbs (0.45 kg). Typical Stainless Steel 303 Fixture & Back Box only.
Material	Fixture: Stainless steel (303) with polycarbonate lens, RoHS compliant.
Supplied with	Driver: Non-dimmable integral driver included.
Warranty & LED Life	5 years limited warranty Estimated useful life of LED is 50,000 hours.

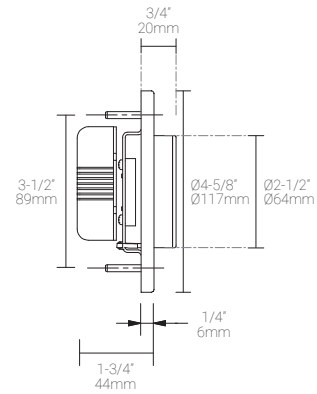
Ordered Separately

System Components	Power supplies: alternate remote driver for dimming options Please consult factory or visit Recommended Drivers for available driver options. Back boxes: Refer to Back Box Options
-------------------	---

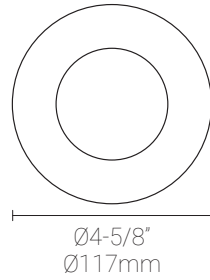
Mounting Options & Dimensions

LED Insert Dimensions

Fixture



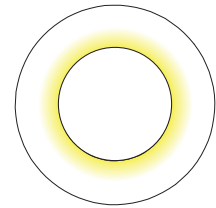
Front View



3D View

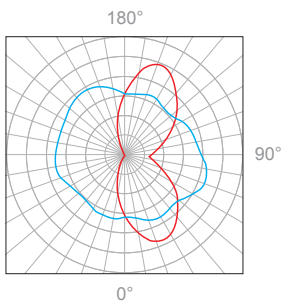


Beam



1W, 3000K, 90+ CRI

Polar Candela Distribution



Illuminance at a Distance

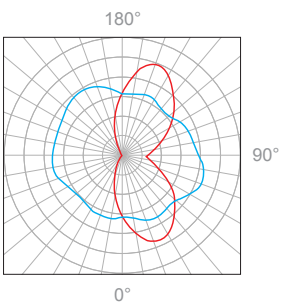
Distance		Center Beam fc	Beam Width			
3.0ft	0.91m	0.17fc	3.6ft	1.10m	3.6ft	1.10m
6.0ft	1.83m	0.04fc	7.2ft	2.19m	7.2ft	2.19m
9.0ft	2.74m	0.02fc	10.8ft	3.29m	10.8ft	3.29m
12.0ft	3.66m	0.01fc	14.4ft	4.39m	14.4ft	4.39m
15.0ft	4.57m	0.01fc	18.0ft	5.49m	18.0ft	5.49m
18.0ft	5.49m	0.00fc	21.6ft	6.58m	21.6ft	6.58m

Delivered Lumen: 15.3lm

- Vertical Beam Spread: 62°
- Horizontal Beam Spread: 62°

2W, 3000K, 90+ CRI

Polar Candela Distribution



Illuminance at a Distance

Distance		Center Beam fc	Beam Width			
3.0ft	0.91m	0.31fc	3.4ft	1.04m	3.4ft	1.04m
6.0ft	1.83m	0.08fc	6.9ft	2.10m	6.9ft	2.10m
9.0ft	2.74m	0.03fc	10.3ft	3.14m	10.3ft	3.14m
12.0ft	3.66m	0.02fc	13.7ft	4.18m	13.7ft	4.18m
15.0ft	4.57m	0.01fc	17.2ft	5.24m	17.2ft	5.24m
18.0ft	5.49m	0.01fc	20.6ft	6.28m	20.6ft	6.28m

Delivered Lumen: 29.2lm

- Vertical Beam Spread: 59.6°
- Horizontal Beam Spread: 59.6°

Appendix

Stainless Steel Finish



S3 stainless steel 303