

L230-1CT-M

INTERIOR

Spotlight – Framer | For 1CT track

● Dry location



Ordering Information

Clear Form

Date : _____

Quantity : _____

Project : _____

Note : _____

Type : _____

Specifications

Luminaire | Example Code: L230-1CT-8-W30H-2-BA

Product	Canopy ¹	Version	CCT & CRI	Stem Length ²	Finish ³
L230-M	1CT				
	1CT	4 4W 8 8W	W27H 2700K 90+ W30H 3000K 90+	2 2' (51mm) X custom length	Aluminum Finishes: BA black anodized

System Components (Ordered Separately)

Remote Driver : _____

* Consult MP Lighting Website or Factory.

Important Notes

Specification

1. See pg.3 - for different canopy options and its dimensions.
2. 1" (25mm) increments to maximum of 8' (2438mm). WH and BA finishes not available with stems over 4' (1219mm).
3. Refer to Appendix or MP Lighting website for complete look of luminaire with different finish options.

Warranty Notes & Disclaimer

Malfunction and damage to product due to incompatible dimming system or misuse will not be covered under warranty. Consult MP Lighting for recommended drivers. If the fixture has an option to be installed with a dimming control system, consult a dimming system manufacturer with minimum load before installing. MP Lighting reserves the right, at its sole discretion, at any time and without notice, to make design changes to any of our products. Consult MP Lighting website for most updated documentation.

L230-1CT-M

INTERIOR

Spotlight – Framer | For 1CT track

- Dry location



Performance

Wattage	Forward Current	Power Consumption Budget per fixture (including driver)	LED output (Source)	Fixture Output (Delivered)
4W	350mA	4W	440 lm	233.2 lm
8W	700mA	8W	880 lm	391.7 lm

Application

Environment	Dry Location approved. IP 20.
Mounting	Mounts to a single circuit track with an adapter (included with fixture).

Electrical

Electrical	Low Voltage 1 Circuit Track: 96W/48V constant voltage Compatible Drivers 12V: 0-10V, ELV dimmable. 48V: 0-10V, DALI dimmable, Casambi
------------	---

Luminaire Construction

LED Light Source	Colour Consistency: 2-step MacAdam: 2700K, 3000K, 90+ CRI
Weight	N/A
Material	Fixture: machined marine-grade aluminum
Supplied with	Standard installation housing
Warranty & LED Life	5 years limited warranty Estimated useful life of LED is 50,000 hours.

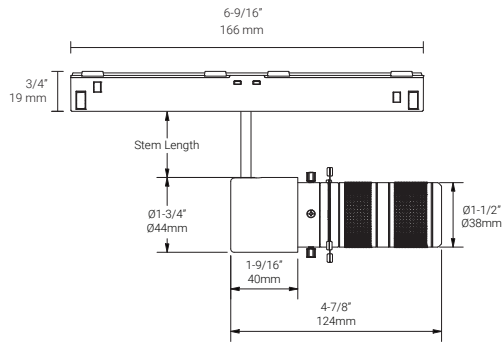
Ordered Separately

System Components	Power supplies: remote driver Please consult factory or visit Recommended Drivers for available driver options.
-------------------	---

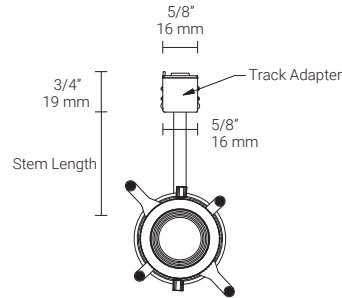
Mounting Options & Dimensions

LED Fixture Dimensions

Fixture



Front View



3D View



Appendix

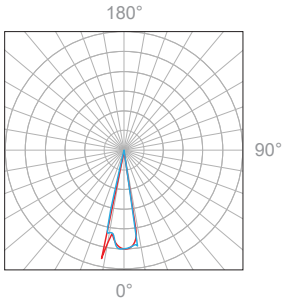
Aluminum Finishes



BA black anodized

4W, 3000K, 90+ CRI

Polar Candela Distribution



Illuminance at a Distance

Distance		Center Beam fc	Beam Width			
3.0ft	0.91m	101fc	1.0ft	0.30m	1.7ft	0.51m
6.0ft	1.83m	25.4fc	2.1ft	0.64m	3.3ft	1.00m
9.0ft	2.74m	11.3fc	3.1ft	0.94m	5.0ft	1.52m
12.0ft	3.66m	6.34fc	4.2ft	1.28m	6.7ft	2.04m
15.0ft	4.57m	4.06fc	5.2ft	1.58m	8.4ft	2.56m
18.0ft	5.49m	2.82fc	6.3ft	1.92m	10.0ft	3.04m

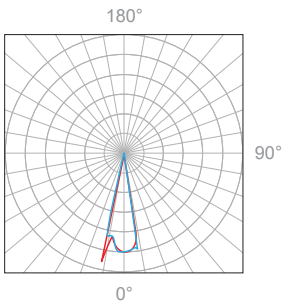
Delivered Lumen: 233.2 lm

Vertical Beam Spread: 19.8°

Horizontal Beam Spread: 31.2°

8W, 3000K, 90+ CRI

Polar Candela Distribution



Illuminance at a Distance

Distance		Center Beam fc	Beam Width			
3.0ft	0.91m	171fc	1.0ft	0.30m	1.7ft	0.51m
6.0ft	1.83m	42.8fc	2.1ft	0.64m	3.3ft	1.00m
9.0ft	2.74m	19.0fc	3.1ft	0.94m	5.0ft	1.52m
12.0ft	3.66m	10.7fc	4.2ft	1.28m	6.7ft	2.04m
15.0ft	4.57m	6.85fc	5.2ft	1.58m	8.4ft	2.56m
18.0ft	5.49m	4.76fc	6.3ft	1.92m	10.0ft	3.04m

Delivered Lumen: 391.7 lm

Vertical Beam Spread: 19.8°

Horizontal Beam Spread: 31.2°