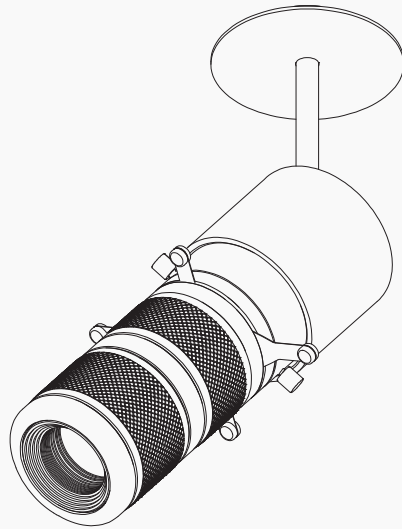


# L230-C21-M

LED Spotlight 4W / 8W



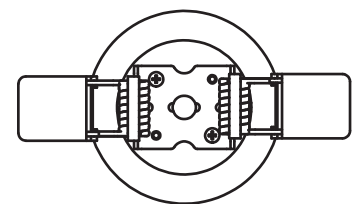
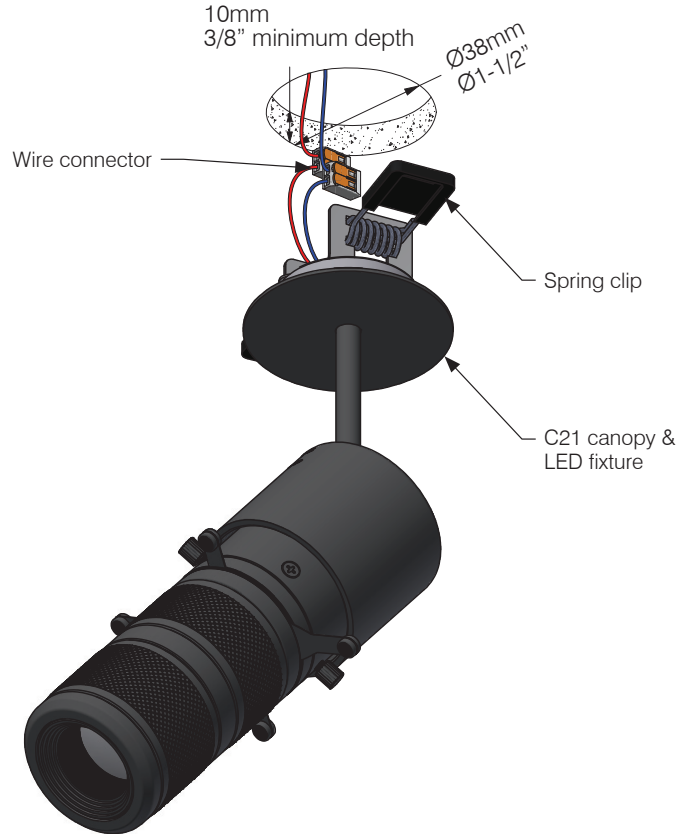
# L230-C21-M

LED Spotlight 4W / 8W

## Parts

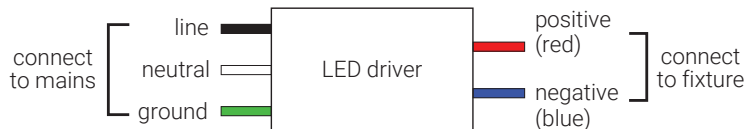
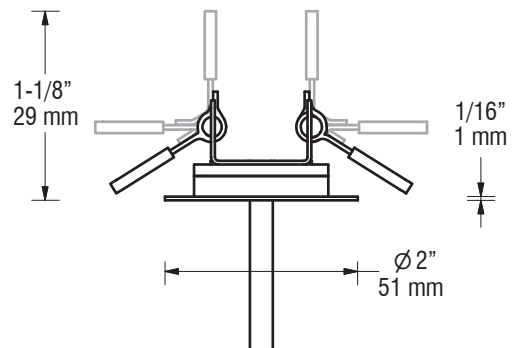
- LED fixture
- Canopy w/ spring clip
- M3 set screw x 1
- Allen key M3 x 1
- Wire connector x 2

- 1) Drill a  $\text{Ø}1\text{-}1/2"$  (38mm) hole.
- 2) Connect fixture wires to low voltage wiring (remote LED driver).
- 3) To mount with spring, push canopy with friction fit spring clip into  $\text{Ø}1\text{-}1/2"$  (38mm) hole until the cover is flat with the surface.



3-7/16" 88 mm

1-3/16" 30 mm



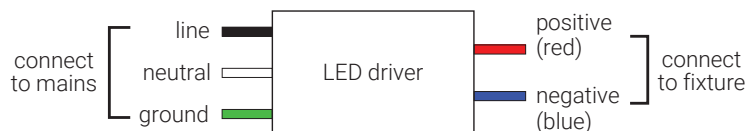
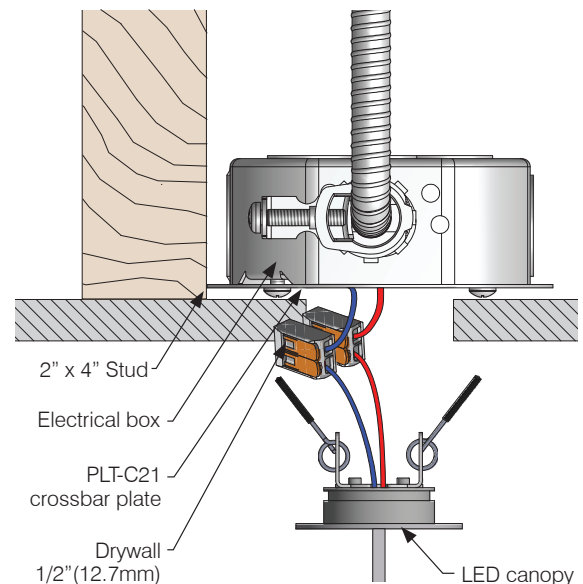
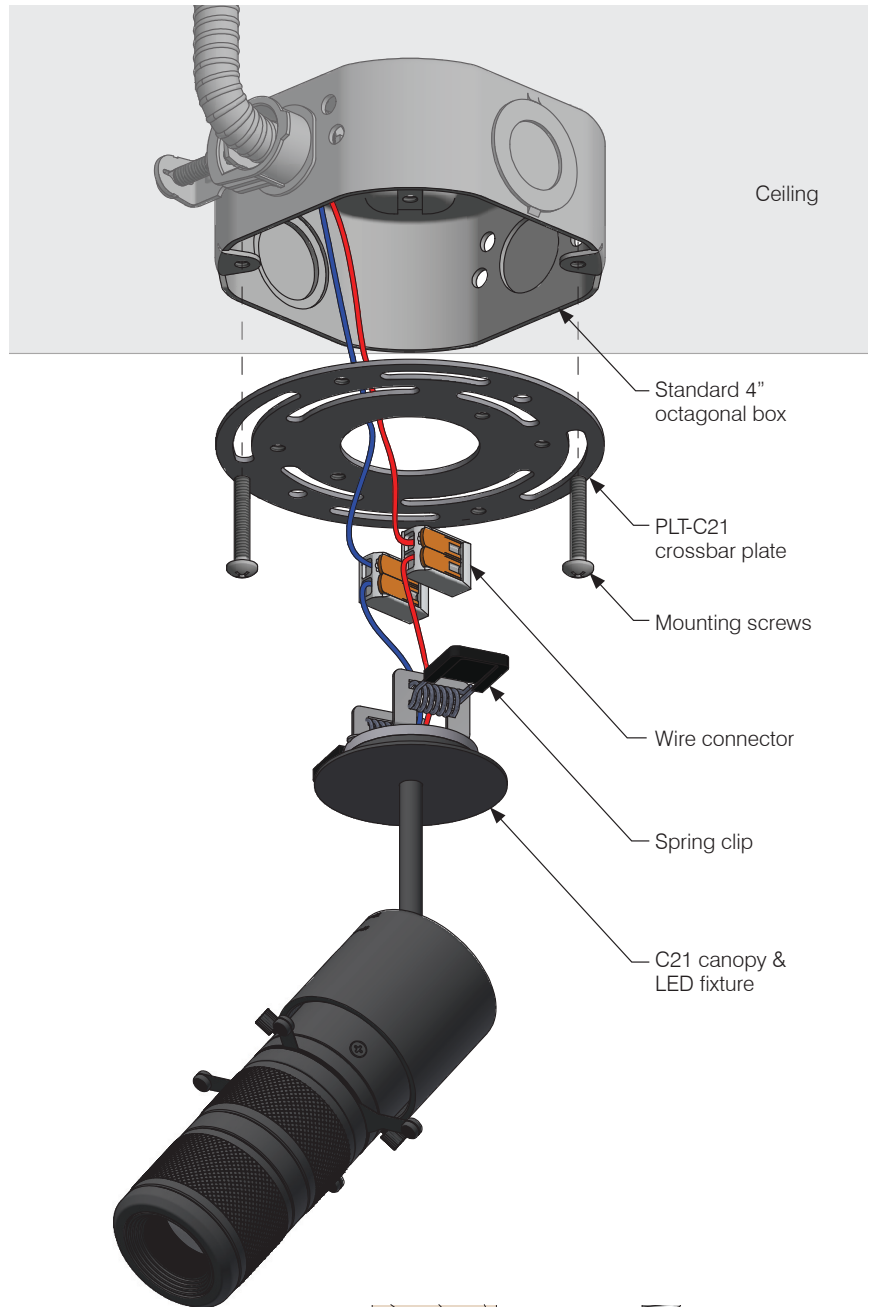
# L230-C21-M

LED Spotlight 4W / 8W

## Parts

PLT-C21 Crossbar Plate (order separately)  
LED fixture w/ C21 canopy & spring clip x 1  
M3 set screw x 1  
Allen key M3 x 1  
Wire connector x 2  
Mounting screws — Not included

- 1) Mount crossbar plate to electrical box so it is flush with the face of drywall or setback 1/8" (3mm) max. from the face of drywall.
- 2) Connect fixture wires to low voltage wiring (remote LED driver). The power to the driver must be off while wiring LED fixtures to drivers. *\*Connecting LEDs to a live driver will cause LEDs to Fail.*
- 3) Cut Ø1-1/2" (Ø38mm) hole in drywall to fit fixture.
- 4) To mount with spring, push canopy with friction fit spring clip into Ø1-1/2" (38mm) hole until the cover is flat with the surface.

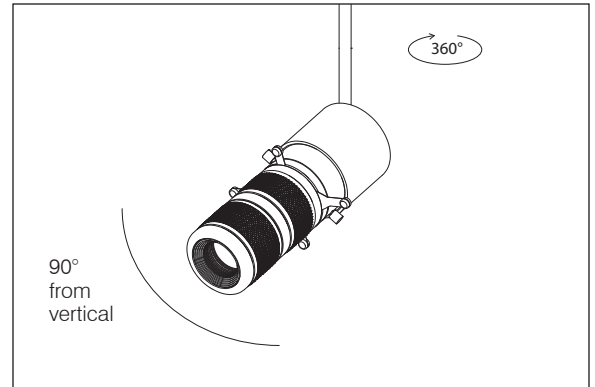


# L230-C21-M

LED Spotlight 4W / 8W

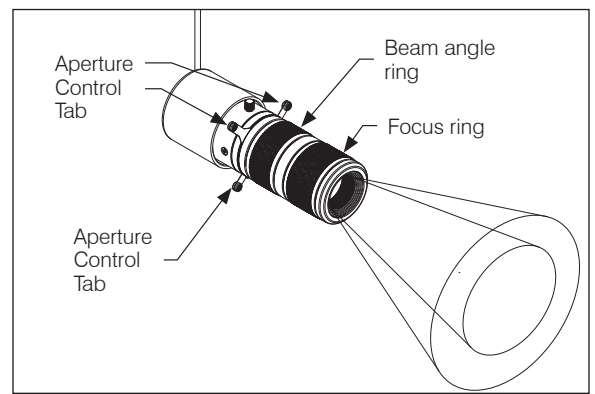
## Fixture Aiming:

Fixture is capable of 90 degree vertical and 360 degree horizontal rotation for aiming and adjustment.

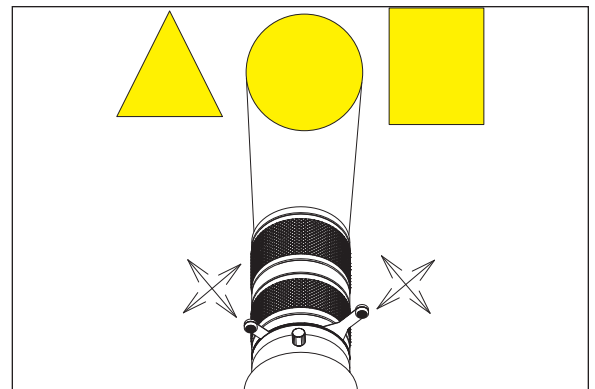


## Projector Adjustment:

1. Gently support the fixture body and point the light beam directly at the object to be illuminated.
2. Rotate the fixture rings to zoom and focus the light to the best effect.

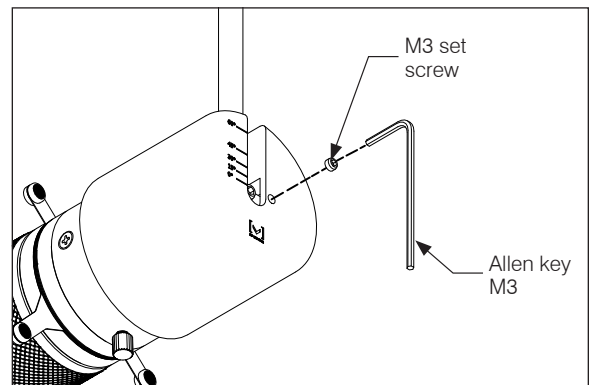


3. To illuminate a designated area, first open the four aperture by pulling out to the maximum, then push them inward one by one.
4. Upon completing step 3, adjust the focus by rotating the focus ring on the fixture.



## Note to lock the fixture:

1. Gently tilt the fixture to ensure the best illumination effect.
2. Lock the tilt angle by tightening the set screw on the fixture with an Allen key.



## IMPORTANT SAFETY INSTRUCTIONS

KEEP THESE INSTALLATION INSTRUCTIONS  
(Including General and Additional Markings for Fixtures)  
(FOR MP LIGHTING LED LUMINAIRES, CLASS 3402-xx)

### General and additional markings

1. For Use Only with Certified/NRTL Driver, Model \_\_\_\_\_
2. DRY LOCATIONS ONLY or OUTDOOR USE ONLY or DRY/  
OUTDOOR USE ONLY or Outdoor / submersible Use Only - as  
indicated on fixtures
3. MIN 90 C SUPPLY CONDUCTORS
4. Model L92, L900: SUITABLE FOR MOUNTING WITHIN 1.2 M  
(4FT) OF THE GROUND
5. Models L01, L03, L05, L06, L07, L08, L300, L302, L304, L306,  
L310, L312, L320, L324, L326, L352, L358, L360, L366, L368,  
L370, L372, L379: SUITABLE FOR USE IN POURED CONCRETE,  
USE ON CLASS 2 CIRCUIT ONLY
6. Models with Class 2 LED Drivers which are intended for  
installation for other than Indoor Use Only: CAUTION:  
CONNECTED ONLY TO A CIRCUIT PROTECTED BY A CLASS A  
GROUND FAULT CIRCUIT INTERRUPTER
7. Models L51, L52, L57, L58, L64, L65, L66, L67, L101, and L102:  
SUITABLE FOR UNDER-CABINET MOUNT
8. Model L141, L401NI, L402NI, L403NI, and L405NI: SUITABLE  
FOR DAMP LOCATIONS, DO NOT INSTALL INSULATION  
WITHIN 76 mm (3 in) OF ANY PART OF THE LUMINAIRE
9. Model L92, L900, L930 (if with remote power supplies): USE ON  
CLASS 2 CIRCUIT ONLY
10. Model L122, L123 (if used for recessed applications):  
VAPOUR BARRIER MUST BE SUITABLE FOR 90 °C, TYPE IC,  
INHERENTLY PROTECTED

### Installation instructions

1. The grounding installation shall be done in accordance with  
CEC-Part 1.
2. WARNING: RISK OF FIRE OR ELECTRIC SHOCK: DO NOT  
MAKE OR ALTER ANY OPENINGS IN THE COMPARTMENT  
OF WIRING OR ELECTRICAL COMPONENTS DURING  
INSTALLATION. DO NOT ALTER OR ADD BALLASTS, OR ANY  
OTHER ELECTRICAL COMPONENTS.
3. INSTALLATION AND USE OF THIS FIXTURE MOUNTING  
ASSEMBLY REQUIRES A PERSON FAMILIAR WITH THE  
CONSTRUCTION AND OPERATION OF LUMINAIRE  
ELECTRICAL SYSTEMS AND THE HAZARD INVOLVED, IF NOT  
QUALIFIED, DO NOT ATTEMPT INSTALLATION. CONTACT A  
QUALIFIED ELECTRICIAN.
4. TURN OFF POWER BEFORE INSTALLATION.
5. KEEP THESE INSTALLATION INSTRUCTIONS.

## CONSIGNES DE SÉCURITÉ IMPORTANTES

CONSERVER CES INSTRUCTIONS D'INSTALLATION  
(Dont le général et marques supplémentaires pour les appareils)  
(Pour les luminaires LED MP D'ÉCLAIRAGE , CLASS 3402 -xx )

### Général et marquages supplémentaires

1. A utiliser uniquement avec Certified / NRTL pilote, modèle \_\_\_\_\_
2. POUR EMPLACEMENTS SECS SEULEMENT ou UTILISATION  
EXTÉRIEURE SEULEMENT ou SEC / UTILISATION EXTÉRIEURE  
SEULEMENT ou extérieure / Utilisation submersible seulement -  
comme indiqué sur les appareils
3. LES FILS D'ALIMENTATION 90 °C MIN
4. Modèle L92/L900: PEUT ÊTRE INSTALLÉ À MOINS DE 1,2 m (4  
pi) DU SOL
5. Modèle L01, L03, L05, L06, L07, L08, L300, L302, L304, L306,  
L310, L312, L320, L324, L326, L352, L358, L360, L366, L368,  
L370, L372, L379et: PEUT ÊTRE UTILISÉ DANS LE BÉTON  
COULÉ, UTILISATION DE CLASSE 2 CIRCUIT UNIQUEMENT
6. ATTENTION: CONNECTED UNIQUEMENT À UN CIRCUIT  
PROTÉGÉ PAR UN DISJONCTEUR DIFFÉRENTIEL DE CLASS A
7. Modèle L51, L52, L57, L58, L64, L65, L66, L67, L101, L102 et:  
PEUT ÊTRE FIXÉ SOUS UNE ARMOIRE
8. Modèle L141 L401NI, L402NI, L403NI, L405NI: CONVIENT AUX  
EMPLACEMENTS HUMIDES, NE PAS METTRE L'ISOLANT À  
MOINS DE 76 mm (3 po) DE TOUTE PARTIE DU LUMINAIRE
9. Modèle L92, L900, L930 (avec alimentations à distance):  
UTILISATION DE CLASSE 2 CIRCUIT UNIQUEMENT
10. Modèle L122, L123 (pour applications encastrées):LE  
PARE-VAPEUR DOIT CONVENIR POUR 90 °C, TYPE IC;  
PROTECTION INHÉRENTE

### Les instructions d'installation

1. L'installation de mise à la terre doit être fait en conformité avec  
CEC Partie 1.
2. AVERTISSEMENT : RISQUE D'INCENDIE OU  
D'ÉLECTROCUTION : NE PAS FAIRE OU MODIFIER DES  
OUVERTURES DANS LE COMPARTIMENT DE CÂBLAGE OU  
DE COMPOSANTS ÉLECTRIQUES LORS DE L'INSTALLATION.  
NE PAS MODIFIER OU AJOUTER DES BALLASTS, OU AUTRES  
COMPOSANTS ÉLECTRIQUES
3. CE PRODUIT DOIT ÊTRE INSTALLÉ SELON LE CODE  
D'INSTALLATION PERTINENT, PAR UNE PERSONNE QUI  
CONNAÎT BIEN LE PRODUIT ET SON FONCTIONNEMENT  
AINSI QUE LES RISQUES INHÉRENTS. CONSULTER UN  
ÉLECTRICIEN QUALIFIÉ.
4. COUPER LE COURANT AVANT L'INSTALLATION.
5. CONSERVEZ CES INSTRUCTIONS.