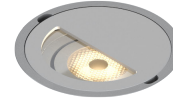


L306

EXTERIOR | INTERIOR

Trimless In-grade | For ground and wall applications

Wet, Damp, and Dry location



Ordering Information

Clear Form

Date : _____

Quantity : _____

Project : _____

Note : _____

Type : _____

Specifications

Luminaire | Example Code: L306-2-W30H-N-C-[]-0-MK3-S-S6

Product	Version	CCT & CRI	Beam Angle ¹	Lens	Accessories ² (optional)	Internal Angle Bracket ³	Mounting Kit ⁴ (optional)	Flange & Back Box ^{5,6,7}	Trim Finish ⁸
L306									
	1 1W 2 2W	W22S 2200K 80+ W30H 3000K 90+ W27H 2700K 90+ W35H 3500K 90+ W41H 4100K 90+	SS super spot 8° S spot 12° N narrow flood 30° F flood 45° W wide flood 120°	C clear F frosted	LM louver, matte anodized LB louver, black anodized HM hex louver, matte anodized HB hex louver, black anodized AB angled louver, black anodized SB straight louver, black anodized QB square louver, black anodized RB ring louver, black anodized	0 no angle 15 15° angle X custom	MK1 vertical surface MK3 in-ground	Octagonal Aluminum Back Box with : S standard flange depth: 2-7/8" (73mm) P paving stone flange depth: 5-1/2" (138mm) NB no back box or flange	Aluminum Finishes: MA matte clear anodized BA black anodized Stainless Steel Finish: S6 stainless steel 316

System Components (Ordered Separately)

Remote Driver : _____

* Consult MP Lighting Website or Factory.

Important Notes

Specification

- See Light Distribution section for illustration of different combinations of beam angles and angle bracket. SS (super spot, 8°) only available with Clear Lens, not available with Louver accessories or angle brackets.
- Louvers will be below the lens. Only available when there is no Internal Angle Bracket.
- Internal angle bracket is factory set, and cannot be field adjusted. 5° increments to a maximum of 15° without accessories.
- Mounting kit is ordered separately. Please consult factory.
- For components included, refer to Luminaire Construction section.
- For custom box and flange options, consult MP factory.
- Paving stone flange is also recommended for a better cement/concrete flow.
- Different finish options are only applicable to trim ring and not for LED module housing. Refer to Appendix or MP Lighting website for complete look of luminaire with different trim finish options.

Warranty Notes & Disclaimer

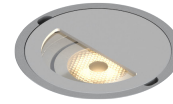
Malfunction and damage to product due to incompatible dimming system or misuse will not be covered under warranty. Consult MP Lighting for recommended drivers. If the fixture has an option to be installed with a dimming control system, consult a dimming system manufacturer with minimum load before installing. MP Lighting reserves the right, at its sole discretion, at any time and without notice, to make design changes to any of our products. Consult MP Lighting website for most updated documentation.

L306

EXTERIOR | INTERIOR

Trimless In-grade | For ground and wall applications

- Wet, Damp, and Dry location



Performance

Wattage	Forward Current	Power Consumption Budget per fixture (including driver)	LED Output (Source)	Fixture Output (Delivered)
1W	350mA	1.3W	110 lm	17.9-48.9 lm
2W	700mA	2.6W	220 lm	33.3-88.4 lm

Application

Environment	Dry / Damp / Wet Location approved. IP 68.
Drive Over Rating	9,700 lbs (4,400 kg)
Mounting	<p>Recessed: Designed to be cast into earth, gravel, or concrete or inserted into paving stones or pavers. Included backbox, flange and level for direct burial or casting applications.</p> <p>MK1 mounting kit (optional): Recommended for easy installation on vertical surfaces (e.g. stair risers, walls), and downward-facing surfaces (e.g. ceilings, soffits). See "Mounting Options & Dimensions," or visit MK1.</p> <p>MK3 mounting kit (optional): Recommended for thicker concrete slab and paving stone in-ground installation. Custom rectangular electrical box option is available for stair riser&wall installation. See "Mounting Options & Dimensions," or visit MK3.</p>

Electrical

Electrical	Remote LED drivers (120-277V AC input, constant current output): Fixtures to be wired in series.
Control	<p>On/off control</p> <p>Dimming: ELV or 0-10V dimming with appropriate drivers</p> <p>Other options (consult factory): TRIAC/MLV, DMX, DALI, Casambi, Power over Ethernet</p>

Luminaire Construction

LED Light Source	<p>W22S = CCT: 2200K, CRI (Ra): 80+, Colour Consistency: 3SDCM</p> <p>W27H = CCT: 2700K, CRI (Ra): 90+, Colour Consistency: 2SDCM</p> <p>W30H = CCT: 3000K, CRI (Ra): 90+, Colour Consistency: 2SDCM</p> <p>W35H = CCT: 3500K, CRI (Ra): 90+, Colour Consistency: 2SDCM</p> <p>W41H = CCT: 4100K, CRI (Ra): 90+, Colour Consistency: 3SDCM</p>
Weight	1.8 lbs (0.816 kg). Typical Aluminum Insert & Back Box only.
Material	Fixture: machined marine-grade aluminum or machined stainless steel (316) with tempered glass
Supplied with	<p>Standard installation housing: Comes with an octagonal back box, a flange, an integral leveling device, a plastic cap, gel filled wire nuts, and silicone grease.</p> <p>Cable: 6" (152mm) factory-installed wire lead</p>
Warranty & LED Life	5 years limited warranty Estimated useful life of LED is 50,000 hours.

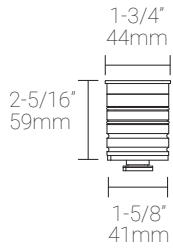
Ordered Separately

System Components	<p>Power supplies: remote driver</p> <p>Mounting kits: MK1 or MK3 (custom length rebar in MK3 supplied by contractors)</p> <p>Custom back boxes: see Pg.5- Mounting Options & Dimensions.</p>
-------------------	--

Mounting Options & Dimensions

LED Insert Dimensions

Fixture



Top View

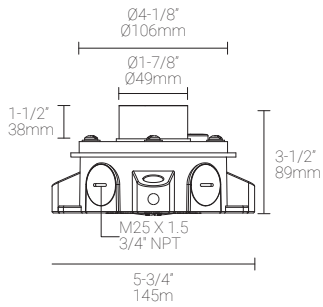


3D View



In-ground Installation (shown with MP Lighting Back Box | Order Code: **EBX-OCT1-CSMA**)

Box with Standard Flange



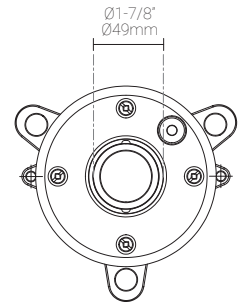
Box with Standard Flange:
During Concrete Installation



Fixture inserted:
Complete Concrete Installation

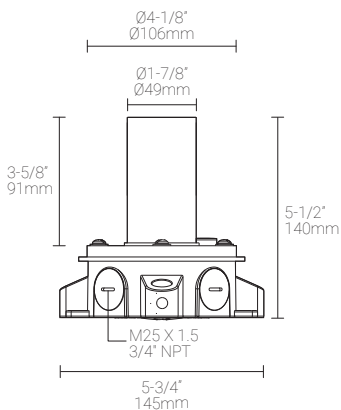


Top View:
Complete Concrete Installation

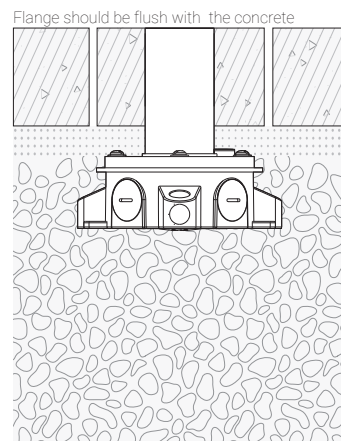


In-ground Installation (shown with MP Lighting Back Box | Order Code: **EBX-OCT1-CPMA**)

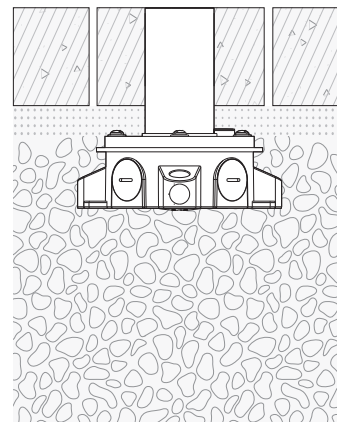
Box with Paving Stone Flange:



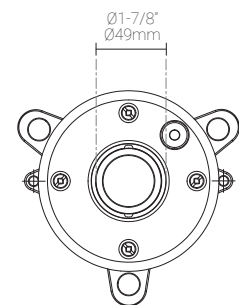
Box with Paving Stone Flange:
During Paving Stone Installation



Fixture inserted:
Complete Paving Stone Installation



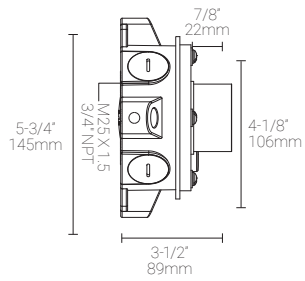
Top View:
Complete Paving Stone Installation



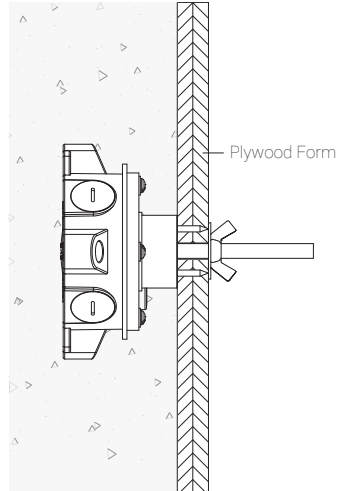
Mounting Kits

MK1(MK1-OCT1-C) : Ceiling, Wall, and Stair Riser Installation (shown with MP Lighting Back Box | Order Code: EBX-OCT1-CSMA)

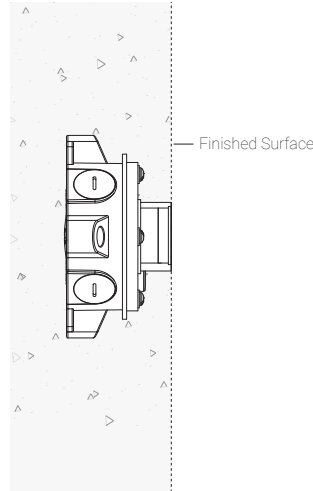
Box with Standard Flange



Box with Standard Flange & MK1:
During Installation



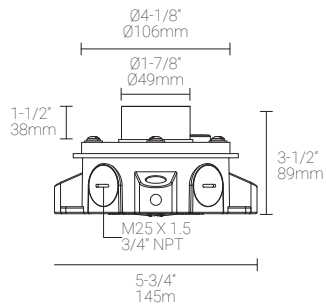
Box with Standard Flange:
Complete Installation



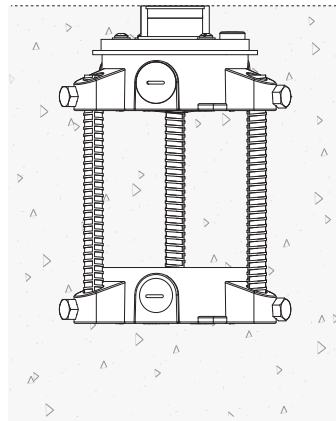
6" (152mm) threaded rod is supplied. Thread size: 3/8"-16

MK3: In-ground Installation (shown with MP Lighting Back Box | Order Code: EBX-OCT1-CSMA or EBX-OCT1-CPMA)

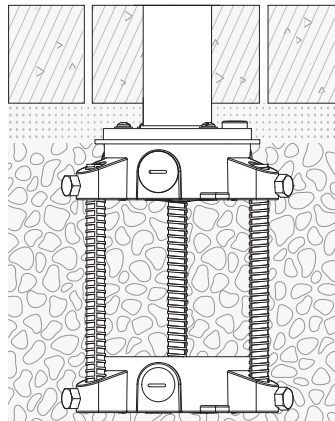
Back Box



MK3 with Standard Flange and
Back Box



MK3 with Paving Stone Flange and
Back Box

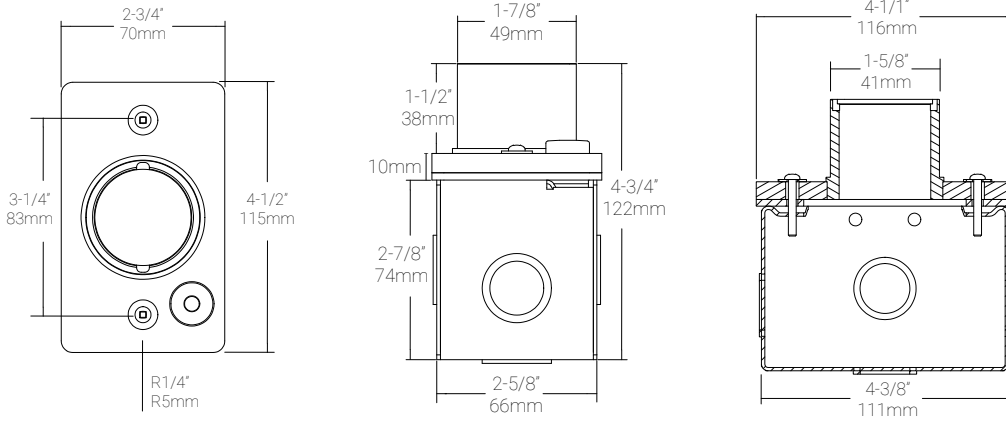


Rebar supplied by others.
Recommended size: Ø1/2"

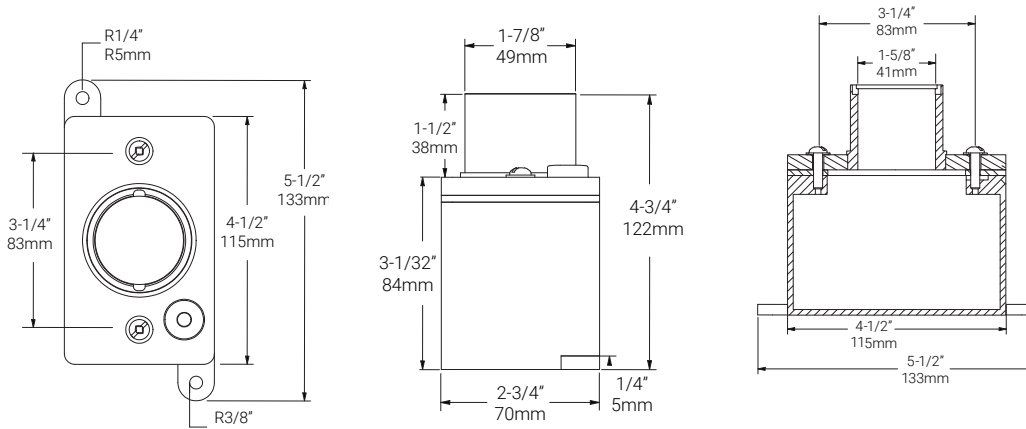
Rectangular Back Box for Wall Installation | shown with standard flange

1. For wall installation, custom rectangular electrical boxes are available as alternative options.

MP Lighting Single Gang Back Box | Order Code: **EBX-SGB1-CSMA**



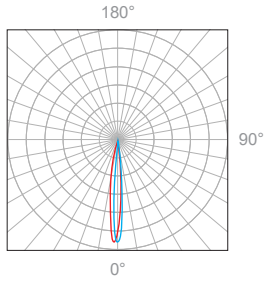
Scepter FD Back box | Order Code: **EBX-SFD-CSMA**



Photometric Report | 1W, SH (standard housing), 3000K, 90+ CRI

Polar Candela Distribution

Beam Width: 8°



Illuminance at a Distance

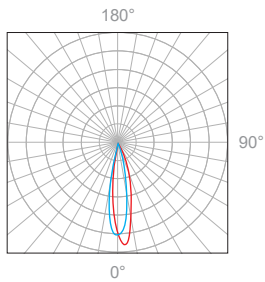
Distance		Center Beam fc	Beam Width			
1.5ft	0.46m	327fc	0.2ft	0.06m	0.2ft	0.06m
3.0ft	0.91m	81.6fc	0.4ft	0.12m	0.4ft	0.12m
4.5ft	1.37m	36.3fc	0.6ft	0.18m	0.6ft	0.18m
6.0ft	1.83m	20.4fc	0.8ft	0.24m	0.8ft	0.24m
7.5ft	2.29m	13.1fc	1.0ft	0.30m	1.0ft	0.30m
9.0ft	2.74m	9.07fc	1.2ft	0.36m	1.2ft	0.36m

Delivered Lumen: 17.9 lm
 ■ Vertical Beam Spread: 7.9°
 ■ Horizontal Beam Spread: 7.9°

Tested on 20/09/2024

Polar Candela Distribution

Beam Width: 12°



Illuminance at a Distance

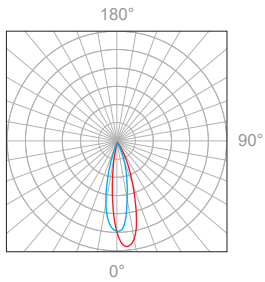
Distance		Center Beam fc	Beam Width			
1.5ft	0.46m	109fc	0.5ft	0.15m	0.5ft	0.15m
3.0ft	0.91m	27.2fc	0.9ft	0.27m	1.0ft	0.30m
4.5ft	1.37m	12.1fc	1.4ft	0.42m	1.5ft	0.45m
6.0ft	1.83m	6.79fc	1.9ft	0.57m	2.0ft	0.61m
7.5ft	2.29m	4.34fc	2.3ft	0.70m	2.5ft	0.76m
9.0ft	2.74m	3.02fc	2.8ft	0.85m	3.0ft	0.91m

Delivered Lumen: 43.4 lm
 ■ Vertical Beam Spread: 17.8°
 ■ Horizontal Beam Spread: 18.8°

Tested on 20/09/2024

Polar Candela Distribution

Beam Width: 30°



Illuminance at a Distance

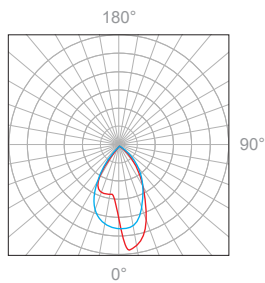
Distance		Center Beam fc	Beam Width			
1.5ft	0.46m	101fc	0.6ft	0.18m	0.6ft	0.18m
3.0ft	0.91m	25.2fc	1.2ft	0.36m	1.3ft	0.39m
4.5ft	1.37m	11.2fc	1.8ft	0.55m	2.0ft	0.61m
6.0ft	1.83m	6.30fc	2.4ft	0.73m	2.6ft	0.79m
7.5ft	2.29m	4.03fc	3.0ft	0.92m	3.3ft	1.00m
9.0ft	2.74m	2.80fc	3.6ft	1.09m	3.9ft	1.18m

Delivered Lumen: 48.9 lm
 ■ Vertical Beam Spread: 22.3°
 ■ Horizontal Beam Spread: 24.5°

Tested on 20/09/2024

Polar Candela Distribution

Beam Width: 45°



Illuminance at a Distance

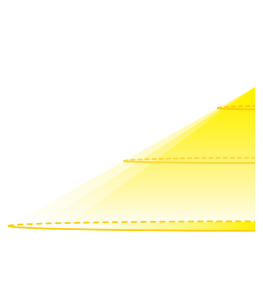
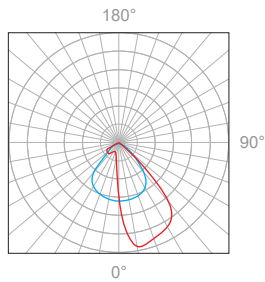
Distance		Center Beam fc	Beam Width			
1.5ft	0.46m	28.9fc	0.7ft	0.21m	1.1ft	0.33m
3.0ft	0.91m	7.15fc	1.4ft	0.42m	2.2ft	0.67m
4.5ft	1.37m	3.18fc	2.1ft	0.64m	3.3ft	1.00m
6.0ft	1.83m	1.79fc	2.8ft	0.85m	4.4ft	1.34m
7.5ft	2.29m	1.14fc	3.5ft	1.06m	5.5ft	1.67m
9.0ft	2.74m	0.79fc	4.1ft	1.25m	6.7ft	2.04m

Delivered Lumen: 41.6 lm
 ■ Vertical Beam Spread: 25.9°
 ■ Horizontal Beam Spread: 40.6°

Tested on 20/09/2024

Polar Candela Distribution

Beam Width: 120°



Illuminance at a Distance

Distance		Center Beam fc	Beam Width			
1.5ft	0.46m	11.4fc	1.4ft	0.42m	3.4ft	1.03m
3.0ft	0.91m	2.86fc	2.8ft	0.85m	6.8ft	2.07m
4.5ft	1.37m	1.27fc	4.2ft	1.28m	10.2ft	3.11m
6.0ft	1.83m	0.71fc	5.6ft	1.70m	13.6ft	4.23m
7.5ft	2.29m	0.46fc	7.1ft	2.16m	17.0ft	5.18m
9.0ft	2.74m	0.32fc	8.5ft	2.59m	20.4ft	6.21m

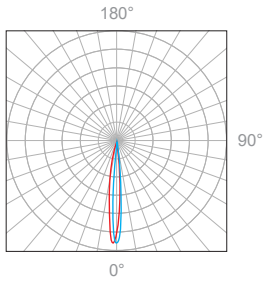
Delivered Lumen: 42.3 lm
 ■ Vertical Beam Spread : 50.4°
 ■ Horizontal Beam Spread : 97.3°

Tested on 20/09/2024

Photometric Report | 2W, SH (standard housing), 3000K, 90+ CRI

Polar Candela Distribution

Beam Width: 8°



Illuminance at a Distance

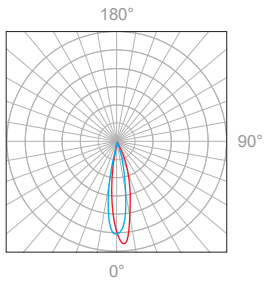
Distance		Center Beam fc	Beam Width			
1.5ft	0.46m	595fc	0.2ft	0.06m	0.2ft	0.06m
3.0ft	0.91m	149fc	0.4ft	0.12m	0.4ft	0.12m
4.5ft	1.37m	66.1fc	0.6ft	0.18m	0.6ft	0.18m
6.0ft	1.83m	37.2fc	0.8ft	0.24m	0.8ft	0.24m
7.5ft	2.29m	23.8fc	1.0ft	0.30m	1.0ft	0.30m
9.0ft	2.74m	16.5fc	1.2ft	0.36m	1.2ft	0.36m

Delivered Lumen: 33.3 lm
 ■ Vertical Beam Spread: 7.8°
 ■ Horizontal Beam Spread: 7.9°

Tested on 20/09/2024

Polar Candela Distribution

Beam Width: 12°



Illuminance at a Distance

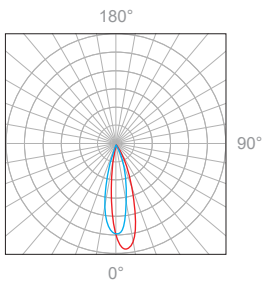
Distance		Center Beam fc	Beam Width			
1.5ft	0.46m	192fc	0.6ft	0.18m	0.5ft	0.15m
3.0ft	0.91m	48.1fc	0.9ft	0.27m	1.0ft	0.30m
4.5ft	1.37m	21.4fc	1.4ft	0.42m	1.5ft	0.46m
6.0ft	1.83m	12.0fc	1.9ft	0.58m	2.0ft	0.61m
7.5ft	2.29m	7.69fc	2.3ft	0.70m	2.5ft	0.76m
9.0ft	2.74m	5.34fc	2.8ft	0.85m	3.0ft	0.91m

Delivered Lumen: 75.4 lm
 ■ Vertical Beam Spread: 17.6°
 ■ Horizontal Beam Spread: 18.7°

Tested on 20/09/2024

Polar Candela Distribution

Beam Width: 30°



Illuminance at a Distance

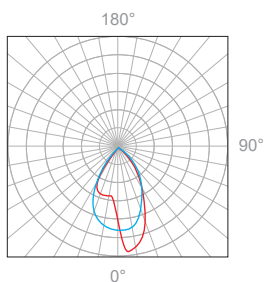
Distance		Center Beam fc	Beam Width			
1.5ft	0.46m	178fc	0.6ft	0.18m	0.6ft	0.18m
3.0ft	0.91m	44.5fc	1.2ft	0.36m	1.3ft	0.39m
4.5ft	1.37m	19.8fc	1.8ft	0.55m	1.9ft	0.58m
6.0ft	1.83m	11.1fc	2.4ft	0.73m	2.6ft	0.79m
7.5ft	2.29m	7.12fc	3.0ft	0.91m	3.2ft	0.98m
9.0ft	2.74m	4.94fc	3.6ft	1.09m	3.8ft	1.16m

Delivered Lumen: 88.4 lm
 ■ Vertical Beam Spread: 22.3°
 ■ Horizontal Beam Spread: 24.4°

Tested on 20/09/2024

Polar Candela Distribution

Beam Width: 45°



Illuminance at a Distance

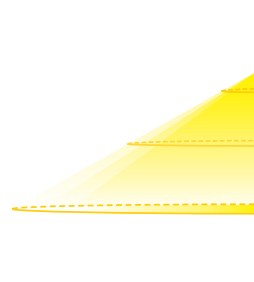
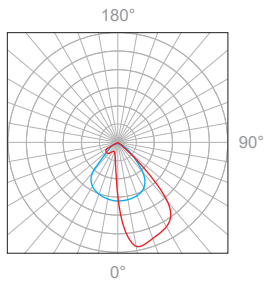
Distance		Center Beam fc	Beam Width			
1.5ft	0.46m	50.7fc	0.7ft	0.21m	1.1ft	0.33m
3.0ft	0.91m	12.7fc	1.4ft	0.42m	2.2ft	0.67m
4.5ft	1.37m	5.64fc	2.1ft	0.64m	3.4ft	1.03m
6.0ft	1.83m	3.17fc	2.8ft	0.85m	4.5ft	0.79m
7.5ft	2.29m	2.03fc	3.5ft	1.06m	5.6ft	1.70m
9.0ft	2.74m	1.41fc	4.2ft	1.28m	6.7ft	2.04m

Delivered Lumen: 74.3 lm
 ■ Vertical Beam Spread: 26.3°
 ■ Horizontal Beam Spread: 40.9°

Tested on 20/09/2024

Polar Candela Distribution

Beam Width: 120°



Illuminance at a Distance

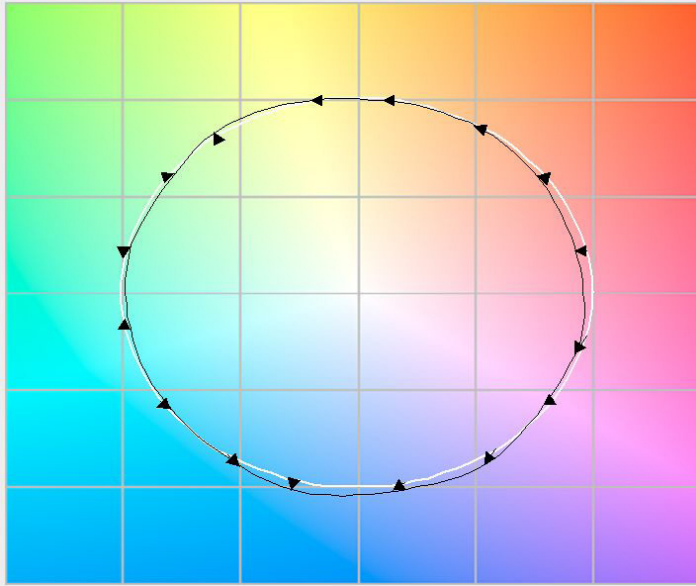
Distance		Center Beam fc	Beam Width			
1.5ft	0.46m	20.7fc	1.4ft	0.42m	3.4ft	1.03m
3.0ft	0.91m	5.18fc	2.8ft	0.85m	6.7ft	2.04m
4.5ft	1.37m	2.30fc	4.2ft	1.28m	10.1ft	3.08m
6.0ft	1.83m	1.30fc	5.6ft	1.70m	13.5ft	4.20m
7.5ft	2.29m	0.83fc	7.0ft	2.13m	16.8ft	5.12m
9.0ft	2.74m	0.58fc	8.4ft	2.56m	20.2ft	6.15m

Delivered Lumen: 74.9 lm
 ■ Vertical Beam Spread : 50°
 ■ Horizontal Beam Spread : 96.5°

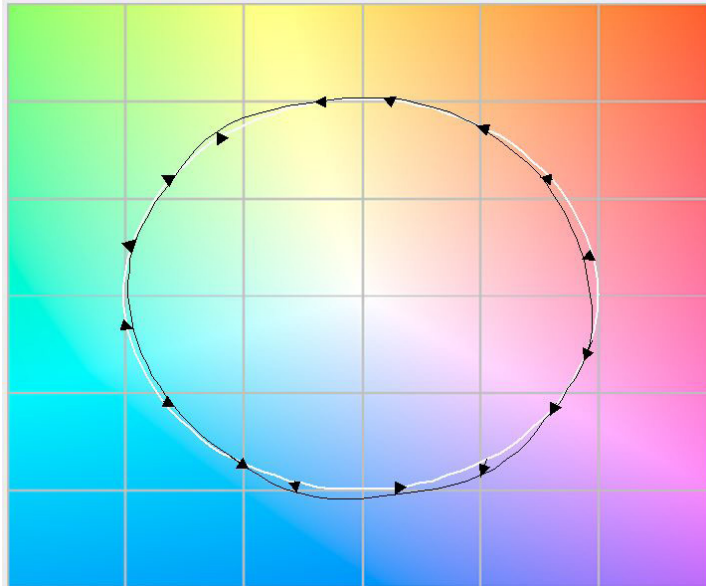
Tested on 20/09/2024

TM30 Report

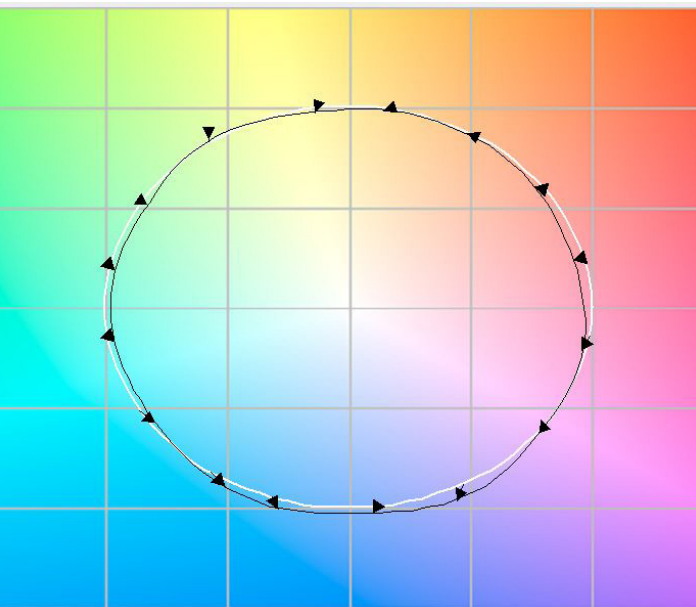
2700K, 90+CRI



3000K, 90+CRI

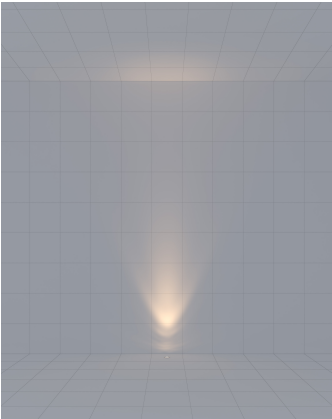


3500K, 90+CRI

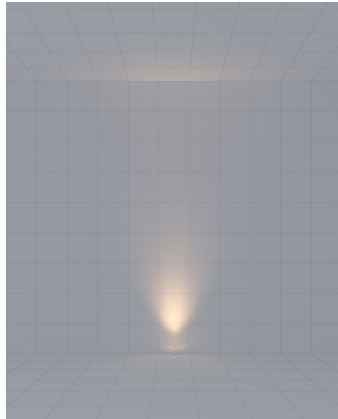


Light Distribution | 9ft Wall | Fixtures installed 6" (152mm) away from the wall

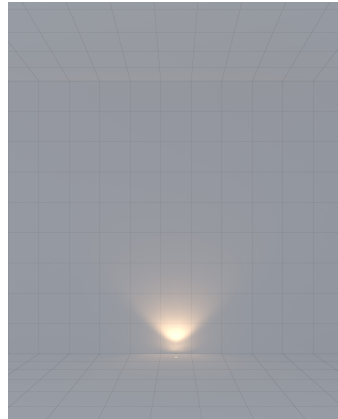
L300 | 1W | 0° angle bracket | 9ft Wall | Clear Lens | 3000K



S Spot 12°

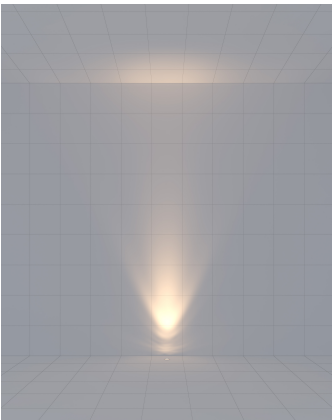


N Narrow flood 30°

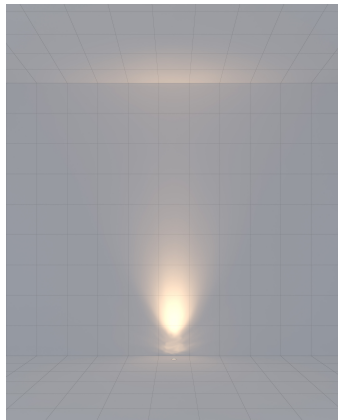


W Wide flood 120°

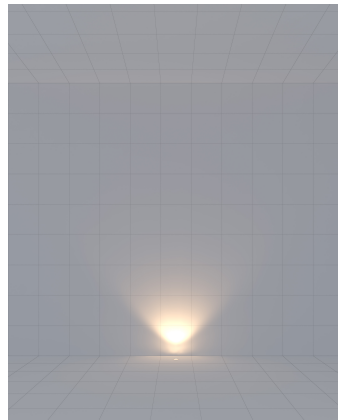
L300 | 2W | 0° angle bracket | Clear Lens | 3000K



S Spot 12°



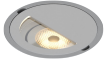
N Narrow flood 30°



W Wide flood 120°

Appendix

Aluminum Finishes



MA matte clear anodized



BA black anodized

Stainless Steel Finish



S6 stainless steel 316

Accessories



LM louver, matte clear anodized



LB louver, black anodized



HM hex louver, matte clear anodized



HB hex louver, black anodized



AB angled louver, black anodized



SB straight louver, black anodized



QB square louver, black anodized



RB ring louver, black anodized