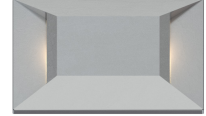
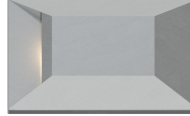


# L308

EXTERIOR | INTERIOR

In-grade | For ground, ceilings, walls, and stairs

- Wet, Damp, and Dry Location



## Ordering Information

Clear Form

Date : \_\_\_\_\_

Quantity : \_\_\_\_\_

Project : \_\_\_\_\_

Note : \_\_\_\_\_

Type : \_\_\_\_\_

## Specifications

Luminaire | Example Code: L308-2-W30H-D-MK3-S-S6

Product	Version	CCT & CRI	Aperture	Mounting Kit <sup>1</sup> (optional)	Flange & Back Box <sup>2,3</sup>	Trim Finish <sup>4</sup>
L308						S6
	1 1W 2 2W	W22S 2200K 80+ W27H 2700K 90+ W30H 3000K 90+ W35H 3500K 90+ W41H 4100K 90+	S Single D Double	MK1 vertical surface MK3 in-ground	<b>Octagonal Aluminum Back Box with :</b> S standard flange depth: 2-7/8" (73mm) P paving stone flange depth: 5-1/2" (138mm) NB no back box or flange	<b>Stainless Steel Finish:</b> S6 stainless steel 316

## System Components (Ordered Separately)

Remote Driver : \_\_\_\_\_

Control System : \_\_\_\_\_

**On/Off | Dimming** ELV or 0-10 dimming  
**Other options (consult factory)** TRIAC/MLV, DMX, DALI, Casambi, PoE

## Important Notes

### Specification

1. Mounting kit is ordered separately. Please consult factory.
2. For components included, refer to Luminaire Construction section.
3. Paving stone flange is also recommended for a better cement/concrete flow.
4. Refer to Appendix or MP Lighting website for complete look of luminaire with different trim finish options.

### Warranty Notes & Disclaimer

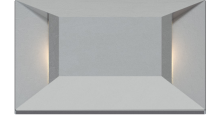
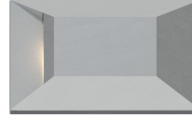
Malfunction and damage to product due to incompatible dimming system or misuse will not be covered under warranty. Consult MP Lighting for recommended drivers. If the fixture has an option to be installed with a dimming control system, consult a dimming system manufacturer with minimum load before installing. MP Lighting reserves the right, at its sole discretion, at any time and without notice, to make design changes to any of our products. Consult MP Lighting website for most updated documentation.

# L308

EXTERIOR | INTERIOR

In-grade | For ground, ceilings, walls, and stairs

- Wet, Damp, and Dry location



## Performance

Wattage	Forward Current	Power Consumption Budget per fixture (including driver)	LED output (Source)	Fixture Output (Delivered)
1W	350mA	1.3W	110 lm	0.1-0.2 lm
2W	700mA	2.6W	220 lm	0.2-1.1 lm

## Application

Environment	Wet / Damp / Dry Location approved. IP 68.
Drive Over Rating	9,700 lbs (4,400 kg)
Mounting	<p><b>Recessed:</b> Designed to be cast into earth, gravel, or concrete or inserted into paving stones or pavers. Included backbox, flange and level for direct burial or casting applications.</p> <p><b>MK1 mounting kit (optional):</b> Recommended for easy installation on vertical surfaces (e.g. stair risers, walls), and downward-facing surfaces (e.g. ceilings, soffits). See "Mounting Options &amp; Dimensions," or visit <a href="#">MK1</a></p> <p><b>MK3 mounting kit (optional):</b> Recommended for thicker concrete slab and paving stone in-ground installation. Custom rectangular electrical box option is available for stair riser&amp;wall installation. See "Mounting Options &amp; Dimensions," or visit <a href="#">MK3</a></p>

## Electrical

Power Supplies	Remote LED drivers (120-277V AC input, <b>constant current output</b> ): Fixtures to be wired in series.
Control	<p><b>On/off control   Dimming:</b> ELV or 0-10V dimming with appropriate drivers</p> <p><b>Other options (consult factory):</b> TRIAC/MLV, DMX, DALI, Casambi, Power over Ethernet</p>

## Luminaire Construction

LED Light Source	<p><b>W22S</b> = CCT: 2200K, CRI (Ra): 80+, Colour Consistency: 3SDCM</p> <p><b>W27H</b> = CCT: 2700K, CRI (Ra): 90+, Colour Consistency: 2SDCM</p> <p><b>W30H</b> = CCT: 3000K, CRI (Ra): 90+, Colour Consistency: 2SDCM</p> <p><b>W35H</b> = CCT: 3500K, CRI (Ra): 90+, Colour Consistency: 2SDCM</p> <p><b>W41H</b> = CCT: 4100K, CRI (Ra): 90+, Colour Consistency: 3SDCM</p>
Standard Compliance	✓ADA-compliant ✓WELL standard – Feature 58: Color Quality
Weight	N/A
Material	<b>Fixture:</b> machined stainless steel (316)
Supplied with	<p><b>Standard installation housing:</b> Comes with an octagonal back box, a flange, an integral leveling device, a plastic cap, gel filled wire nuts, and silicone grease.</p> <p><b>Cable:</b> 6" (152mm) factory-installed wire lead</p>
Warranty & LED Life	<p>5 years limited warranty</p> <p>Estimated useful life of LED is 50,000 hours.</p>

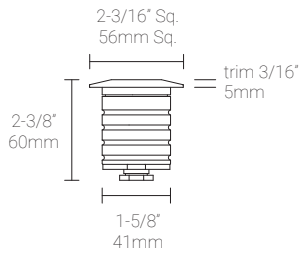
## Ordered Separately

System Components	<p><b>Power supplies:</b> remote driver</p> <p>Please consult factory or visit <a href="#">Recommended Drivers</a> for available driver options.</p> <p><b>Mounting kits:</b> MK1 or MK3 (custom length rebar in MK3 supplied by contractors)</p> <p><b>Single Gang Boxes:</b> see Pg.3-5 Mounting Options &amp; Dimensions.</p>
-------------------	--

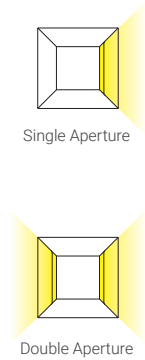
Mounting Options & Dimensions

LED Insert Dimensions

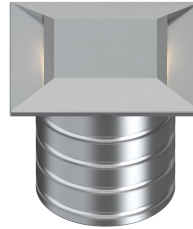
Fixture



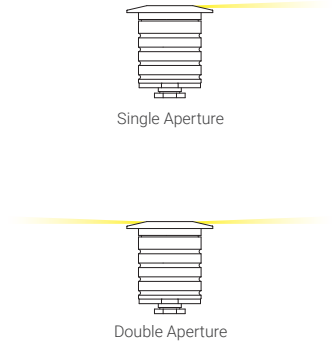
Top View



3D View (shown with double aperture)

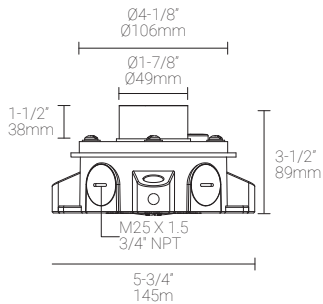


Beam

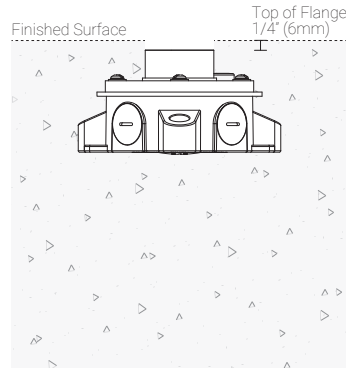


In-ground Installation (shown with MP Lighting Back Box & Standard Flange | Order Code: EBX-OCT1-CSMA)

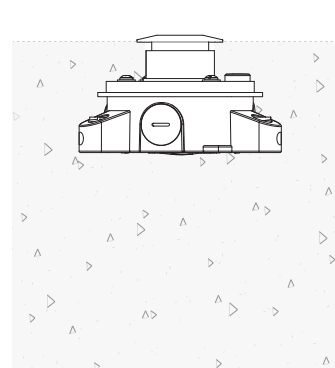
Box with Standard Flange



Box with Standard Flange:  
During Concrete Installation

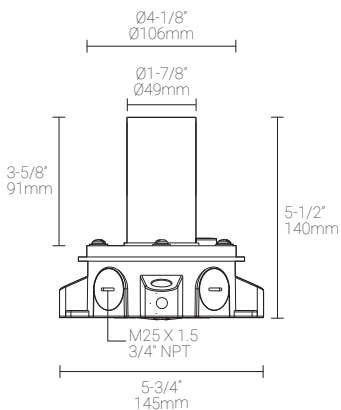


Box with Standard Flange:  
Complete Concrete Installation

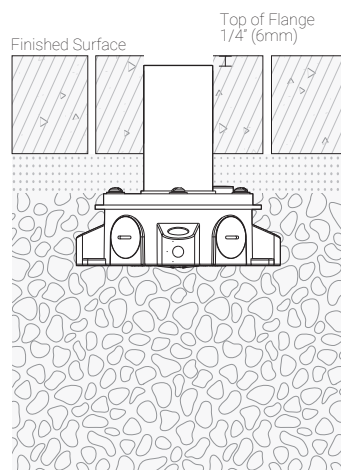


In-ground Installation (shown with MP Lighting Back Box & Paving Stone Flange | Order Code: EBX-OCT1-CPMA)

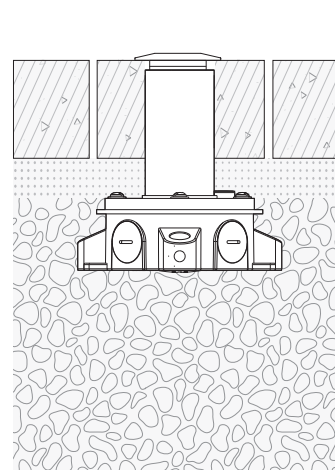
Box with Paving Stone Flange:



Box with Paving Stone Flange:  
During Paving Stone Installation



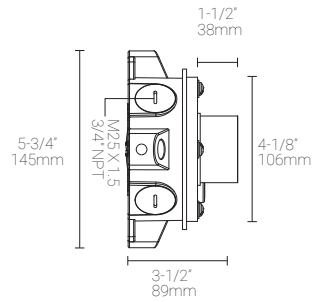
Box with Paving Stone Flange:  
Complete Paving Stone Installation



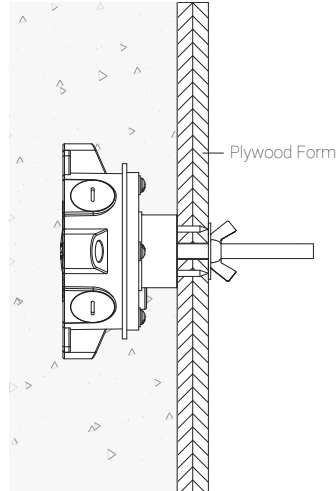
Mounting Kits

**MK1(MK1-OCT1-C): Ceiling, Wall, and Stair Riser Installation (shown with MP Lighting Back Box | Order Code: EBX-OCT1-CSMA)**

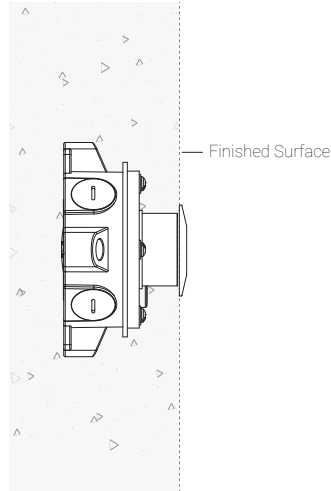
Box with Standard Flange



Box with Standard Flange & MK1:  
During Installation



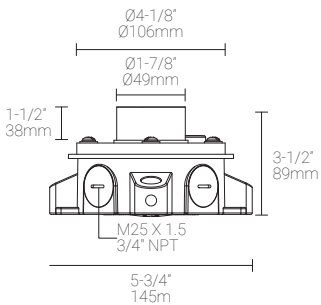
Box with Standard Flange:  
Complete Installation



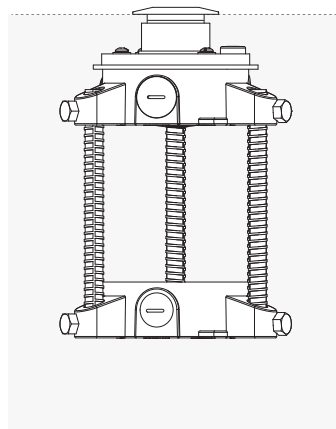
6" (152mm) threaded rod is supplied. Thread size: 3/8"-16

**MK3: In-ground Installation | Shown with MP Lighting Back Box (Order Code: EBX-OCT1-CSMA or EBX-OCT1-CPMA)**

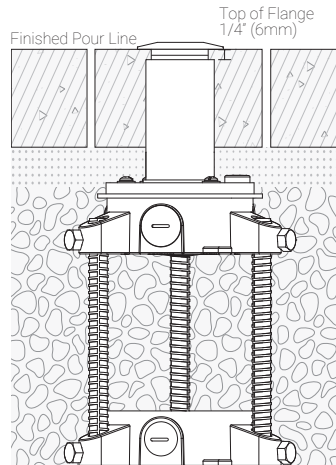
Back Box



MK3 with Standard Flange and  
Back Box



MK3 with Paving Stone Flange and  
Back Box

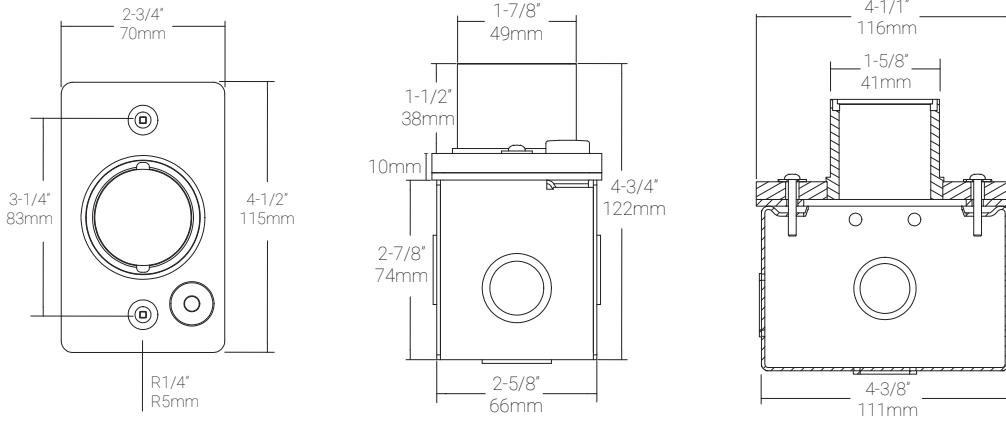


Rebar supplied by others.  
Recommended size: Ø1/2"

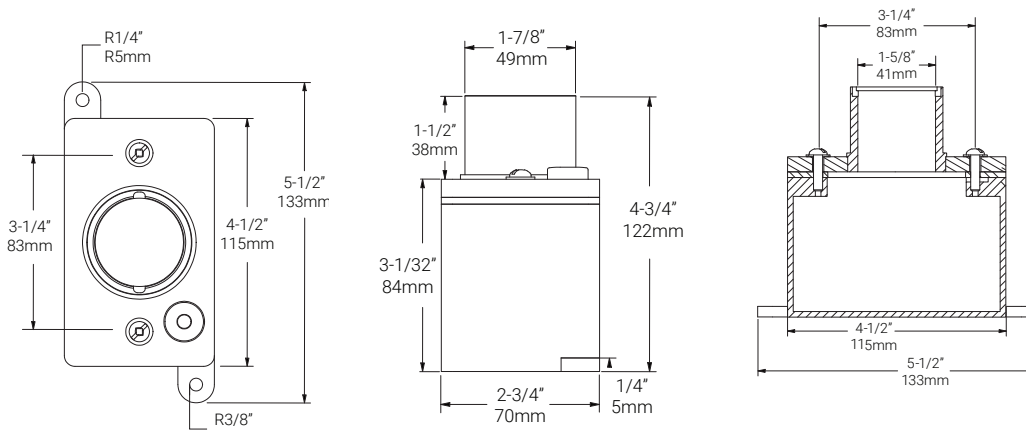
Rectangular Back Box for Wall Installation | shown with standard flange

1. For wall installation, custom rectangular electrical boxes are available as alternative options.

MP Lighting Single Gang Back Box | Order Code: **EBX-SGB1-CSMA**

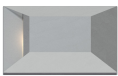


Scepter FD Back box | Order Code: **EBX-SFD-CSMA**

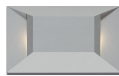


Appendix

Stainless Steel Finish



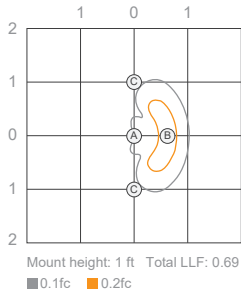
S6 stainless steel 316  
S single aperture



S6 stainless steel 316  
D double aperture

1W, 3000K, 90+ CRI

Isofootcandle Plot

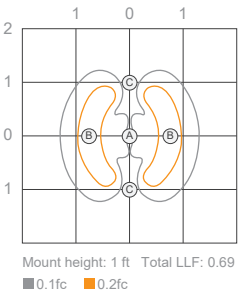


Illuminance at a Distance

Location	Center Beam fc
A	0.1fc
B	0.1fc
C	0.07fc

Delivered Lumen: 0.1 lm  
 Tested on 24/09/2024

Isofootcandle Plot



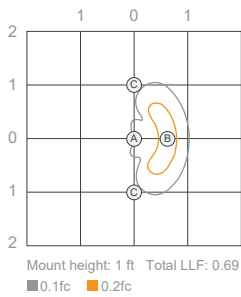
Illuminance at a Distance

Location	Center Beam fc
A	0.1fc
B	0.1fc
C	0.1fc

Delivered Lumen: 0.2 lm  
 Tested on 24/09/2024

2W, 3000K, 90+ CRI

Isofootcandle Plot

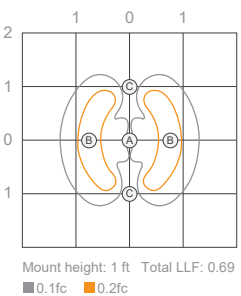


Illuminance at a Distance

Location	Center Beam fc
A	0.1fc
B	0.1fc
C	0.1fc

Delivered Lumen: 0.2 lm  
 Tested on 24/09/2024

Isofootcandle Plot



Illuminance at a Distance

Location	Center Beam fc
A	0.1fc
B	0.1fc
C	0.1fc

Delivered Lumen: 1.1 lm  
 Tested on 24/09/2024