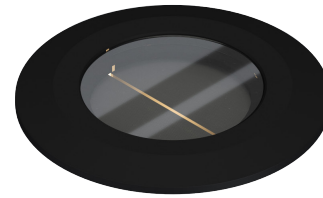


# L356

EXTERIOR | INTERIOR

In-grade | For ground, ceilings, walls, and stairs

- Wet, Damp, and Dry location



## Ordering Information

Clear Form

Date : \_\_\_\_\_

Quantity : \_\_\_\_\_

Project : \_\_\_\_\_

Note : \_\_\_\_\_

Type : \_\_\_\_\_

## Specifications

Luminaire | Example Code: L356-8-W30H-E-C-MK3-P-BA

Product	Version	CCT & CRI <sup>1</sup>	Beam Angle	Lens	Mounting Kit <sup>1</sup> (optional)	Flange & Back Box <sup>2</sup>	Trim Finish
L356	8		E				BA
	8 8W	W27H 2700K 90+ W30H 3000K 90+	E ellipse 5°+48°	C clear F frosted	MK1 vertical surface MK3 in-ground	Octagonal Aluminum Back Box with : P paving stone flange depth: 4-1/2" (114mm) NB no back box or flange	Aluminum Finish: BA black anodized

## System Components (Ordered Separately)

Remote Driver : \_\_\_\_\_

Control System : \_\_\_\_\_

On/Off | Dimming ELV or 0-10 dimming  
Other options (consult factory) TRIAC/MLV, DMX, DALI, Casambi, PoE

## Important Notes

### Specification

- Mounting kit is ordered separately. Please consult factory.
- For components included, refer to Luminaire Construction section.

### Warranty Notes & Disclaimer

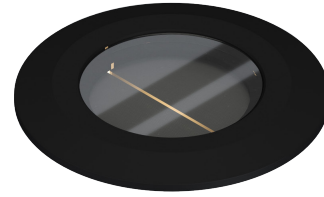
Malfunction and damage to product due to incompatible dimming system or misuse will not be covered under warranty. Consult MP Lighting for recommended drivers. If the fixture has an option to be installed with a dimming control system, consult a dimming system manufacturer with minimum load before installing. MP Lighting reserves the right, at its sole discretion, at any time and without notice, to make design changes to any of our products. Consult MP Lighting website for most updated documentation.

# L356

EXTERIOR | INTERIOR

In-grade | For ground, ceilings, walls, and stairs

• Wet, Damp, and Dry location



## Performance

Wattage	Forward Current	Power Consumption Budget per fixture (including driver)	LED output (Source)	Fixture Output (Delivered)
8W	700mA	8.0W	880 lm	18 lm

## Application

Environment	Wet / Damp / Dry Location approved. IP 68.
Drive Over Rating	9,700 lbs (4,400 kg)
Mounting	<p><b>Recessed:</b> Designed to be cast into earth, gravel, or concrete or inserted into paving stones or pavers. Included backbox, flange and level for direct burial or casting applications.</p> <p><b>MK1 mounting kit (optional):</b> Recommended for easy installation on vertical surfaces (e.g. stair risers, walls), and downward-facing surfaces (e.g. ceilings, soffits). See "Mounting Options &amp; Dimensions," or visit <a href="#">MK1</a></p> <p><b>MK3 mounting kit (optional):</b> Recommended for thicker concrete slab and paving stone in-ground installation. Custom rectangular electrical box option is available for stair riser&amp;wall installation. See "Mounting Options &amp; Dimensions," or visit <a href="#">MK3</a></p>

## Electrical

Power Supplies	Remote LED drivers (120-277V AC input, <b>constant current output</b> ): Fixtures to be wired in series. Remote LED drivers (120-277V AC input, <b>constant voltage output</b> ): Fixtures to be wired in parallel.
Control	<p><b>On/off control</b></p> <p><b>Dimming:</b> ELV or 0-10V dimming with appropriate drivers</p> <p><b>Other options (consult factory):</b> TRIAC/MLV, DMX, DALI, Casambi, Power over Ethernet</p>

## Luminaire Construction

LED Light Source	<p><b>W27H</b> = CCT: 2700K, CRI (Ra): 90+, Colour Consistency: 2SDCM</p> <p><b>W30H</b> = CCT: 3000K, CRI (Ra): 90+, Colour Consistency: 2SDCM</p>
Weight	2.56 lbs (1.16 kg). Typical Aluminum Insert & Back Box only.
Material	<b>Fixture:</b> machined marine-grade aluminum with tempered glass
Supplied with	<p><b>Standard installation housing:</b> Comes with an octagonal back box, a flange, an integral leveling device, a plastic cap, gel filled wire nuts, and silicone grease.</p> <p><b>Cable:</b> 6" (152mm) factory-installed wire lead</p>
Warranty & LED Life	5 years limited warranty Estimated useful life of LED is 50,000 hours.

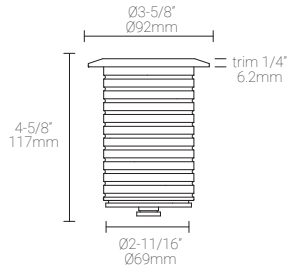
## Ordered Separately

System Components	<p><b>Power supplies:</b> remote driver</p> <p>Please consult factory or visit <a href="#">Recommended Drivers</a> for available driver options.</p> <p><b>Mounting kits:</b> MK1 or MK3 (custom length rebar in MK3 supplied by contractors)</p>
-------------------	---

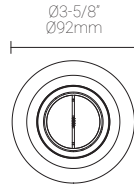
Mounting Options & Dimensions

LED Insert Dimensions

Fixture



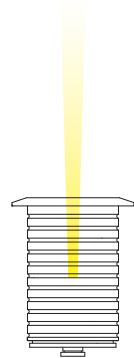
Top View



3D View

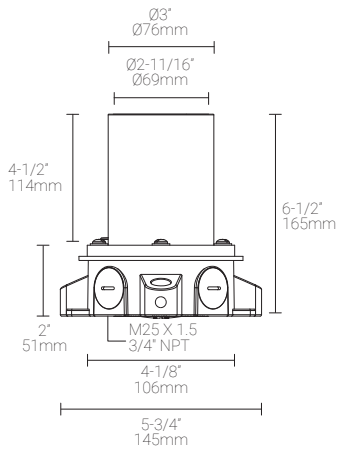


Beam

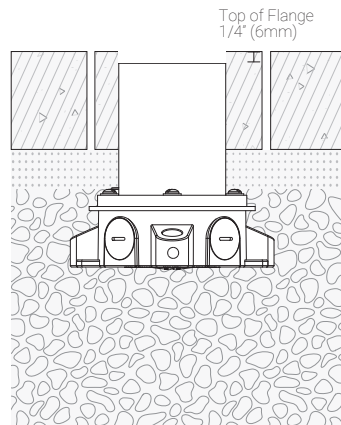


In-ground Installation (shown with MP Lighting Back Box | Order Code: **EBX-OCT1-DPMA**)

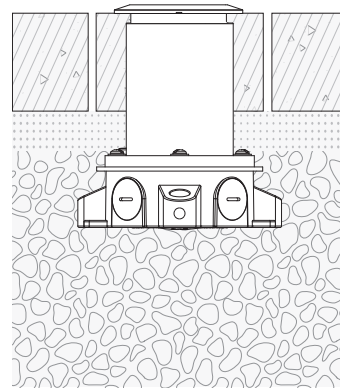
Box with Paving Stone Flange



Box with Paving Stone Flange:  
During Concrete Installation



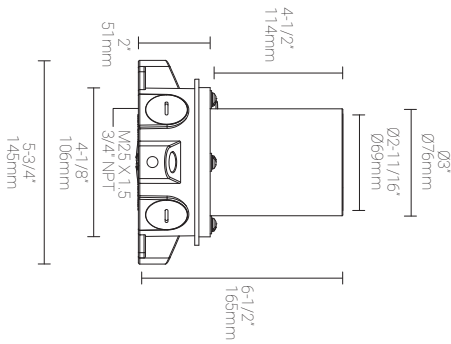
Box with Paving Stone Flange:  
Complete Concrete Installation



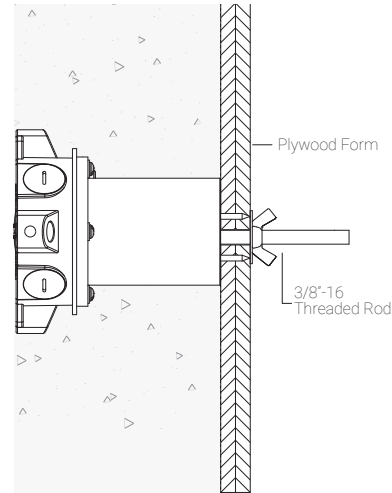
Mounting Kits

**MK1(MK1-OCT1-D): Ceiling, Wall, and Stair Riser Installation (shown with MP Lighting Back Box | Order Code: EBX-OCT1-DPMA)**

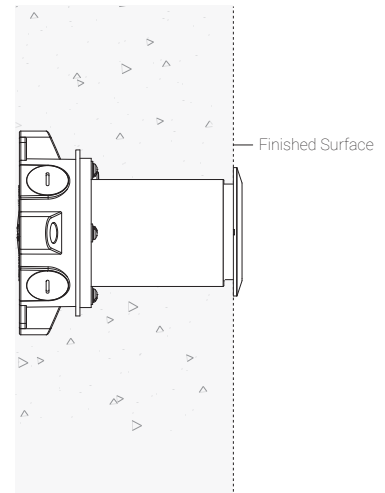
Back Box & Paving Stone Flange



MK1 with Back Box & Paving Stone Flange: During Installation

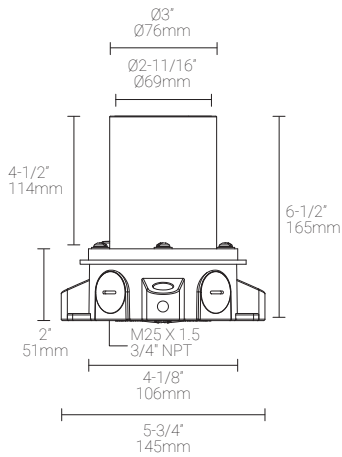


Back Box & Paving Stone Flange: Complete Installation

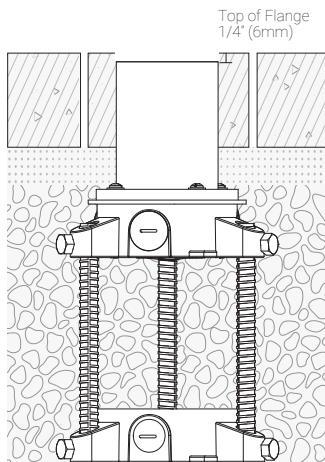


**MK3: In-ground Installation (shown with MP Lighting Back Box | Order Code: EBX-OCT1-DPMA)**

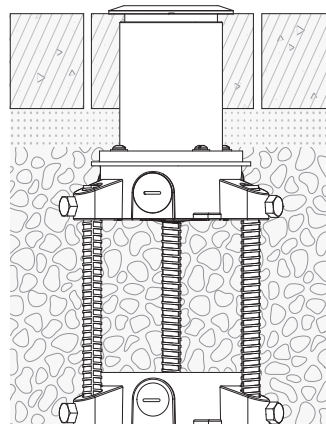
Back Box & Paving Stone Flange



MK3 with Paving Stone Flange & Back Box: During Installation



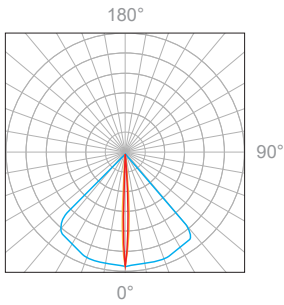
MK3 with Paving Stone Flange & Back Box: Complete Installation



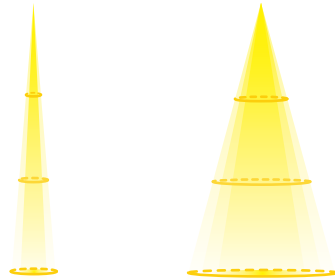
Rebar supplied by others.  
Recommended size: Ø1/2"

8W, 3000K, 90+ CRI, Clear Lens

Polar Candela Distribution



Beam Width: 5°+48°



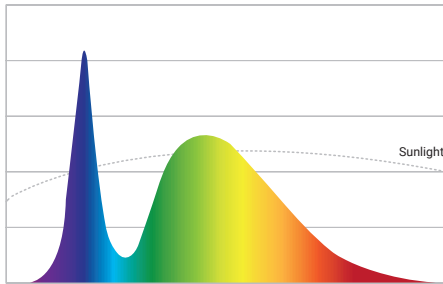
Illuminance at a Distance

Distance		Center Beam	Beam Width			
1.5ft	0.46m	40.7fc	0.2ft	0.06m	2.3ft	0.70m
3.0ft	0.91m	10.2fc	0.4ft	0.12m	4.5ft	1.37m
4.5ft	1.37m	4.53fc	0.7ft	0.21m	6.8ft	2.07m
6.0ft	1.83m	2.55fc	0.9ft	0.27m	9.1ft	2.77m
7.5ft	2.29m	1.63fc	1.1ft	0.33m	11.4ft	3.47m
9.0ft	2.74m	1.13fc	1.3ft	0.39m	13.6ft	4.14m

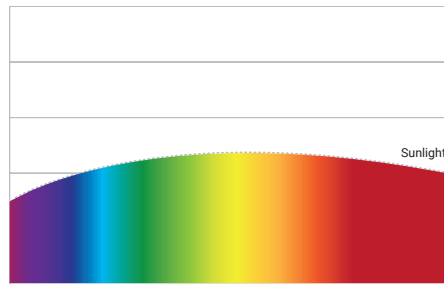
Delivered Lumen: 18 lm  
 ■ Vertical Beam Spread: 8.5°  
 ■ Horizontal Beam Spread: 74.3°

LED Colour Spectrum Comparison

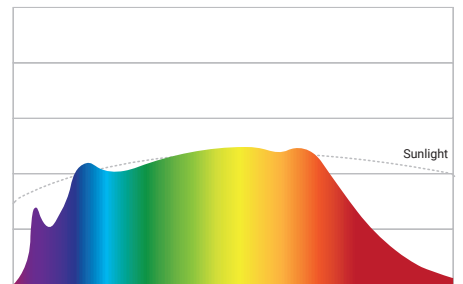
Coventional LED



Sunlight

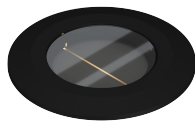


MP Dimmable Full Spectrum LED



Appendix

Aluminum Finish



BA black anodized