

L370

EXTERIOR | INTERIOR

In-grade | For ground, ceilings, walls, and stairs

• Wet, Damp, and Dry location



Ordering Information

Clear Form

Date : _____

Quantity : _____

Project : _____

Note : _____

Type : _____

Specifications

Luminaire | Example Code: L370-2-W30H-N-C-MK3-S-S6

Product	Version	CCT & CRI	Beam Angle ¹	Lens	Mounting Kit ² (optional)	Flange & Back Box ³	Trim Finish ⁴
L370							
	1 1W 2 2W	W22S 2200K 80+ W27H 2700K 90+ W30H 3000K 90+ W35H 3500K 90+ W41H 4100K 90+	S spot 12° N narrow flood 30° W wide flood 120°	C clear F frosted	MK1 vertical surface MK3 in-ground	Octagonal Aluminum Back Box with: S standard flange depth: 2-7/8" (73mm) NB no back box or flange PIPE 1-1/4" PVC pipe length: 11-13/16" (300mm)	Aluminum Finishes: MA matte clear anodized BA black anodized BZ bronze powder coated Stainless Steel Finish: S6 stainless steel 316

System Components (Ordered Separately)

Remote Driver : _____

Control System : _____

On/Off | Dimming ELV or 0-10 dimming
Other options (consult factory) TRIAC/MLV, DMX, DALI, Casambi, PoE

Important Notes

Specification

- See Light Distribution section for illustration of different combinations of beam angles and angle bracket.
- Mounting kit is ordered separately. Please consult factory.
- For components included, refer to Luminaire Construction section. See pg.3 for back box and flange options.
- Different finish options are only applicable to trim ring and not for LED module housing. Refer to Appendix or MP Lighting website for complete look of luminaire with different trim finish options.

Warranty Notes & Disclaimer

Malfunction and damage to product due to incompatible dimming system or misuse will not be covered under warranty. Consult MP Lighting for recommended drivers. If the fixture has an option to be installed with a dimming control system, consult a dimming system manufacturer with minimum load before installing. MP Lighting reserves the right, at its sole discretion, at any time and without notice, to make design changes to any of our products. Consult MP Lighting website for most updated documentation.

L370

EXTERIOR | INTERIOR

In-grade | For ground, ceilings, walls, and stairs

• Wet, Damp, and Dry location



Performance

Wattage	Forward Current	Power Consumption Budget per fixture (including driver)	LED output (Source)	Fixture Output (Delivered)
1W	350mA	1.3W	110 lm	44-83.2 lm
2W	700mA	2.6W	220 lm	77.4-145.7 lm

Application

Environment	Wet / Damp / Dry Location approved. IP 68.
Drive Over Rating	9,700 lbs (4,400 kg)
Mounting	<p>Recessed: Designed to be cast into earth, gravel, or concrete or inserted into paving stones or pavers. Included backbox, flange and level for direct burial or casting applications.</p> <p>MK1 mounting kit (optional): Recommended for easy installation on vertical surfaces (e.g. stair risers, walls), and downward-facing surfaces (e.g. ceilings, soffits). See "Mounting Options & Dimensions," or visit MK1</p> <p>MK3 mounting kit (optional): Recommended for thicker concrete slab and paving stone in-ground installation. Custom rectangular electrical box option is available for stair riser&wall installation. See "Mounting Options & Dimensions," or visit MK3</p>

Electrical

Power Supplies	Remote LED drivers (120-277V AC input, constant current output): Fixtures to be wired in series.
Control	<p>On/off control Dimming: ELV or 0-10V dimming with appropriate drivers</p> <p>Other options (consult factory): TRIAC/MLV, DMX, DALI, Casambi, Power over Ethernet</p>

Luminaire Construction

LED Light Source	<p>W22S = CCT: 2200K, CRI (Ra): 80+, Colour Consistency: 3SDCM</p> <p>W27H = CCT: 2700K, CRI (Ra): 90+, Colour Consistency: 2SDCM</p> <p>W30H = CCT: 3000K, CRI (Ra): 90+, Colour Consistency: 2SDCM</p> <p>W35H = CCT: 3500K, CRI (Ra): 90+, Colour Consistency: 2SDCM</p> <p>W41H = CCT: 4100K, CRI (Ra): 90+, Colour Consistency: 3SDCM</p>
Weight	1.8 lbs (0.816 kg). Typical Aluminum Insert & Back Box only.
Material	Fixture: machined marine-grade aluminum, machined brass or machined stainless steel (316) with tempered glass
Supplied with	<p>Standard installation housing: Comes with an octagonal back box, a flange, an integral leveling device, a plastic cap, gel filled wire nuts, and silicone grease.</p> <p>Cable: 6" (152mm) factory-installed wire lead</p>
Warranty & LED Life	5 years limited warranty. Estimated useful life of LED is 50,000 hours.

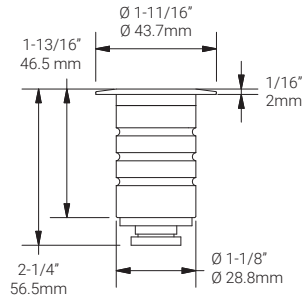
Ordered Separately

System Components	<p>Power supplies: remote driver</p> <p>Please consult factory or visit Recommended Drivers for available driver options.</p> <p>Mounting kits: MK1 or MK3 (custom length rebar in MK3 supplied by contractors)</p> <p>Single Gang Boxes: see Pg.3-5 Mounting Options & Dimensions.</p>
-------------------	----------------------------------------------------------------------------------------------------------------------------------------------------------------------------------------------------------------------------------------------------------------------------------------------------------------------------------

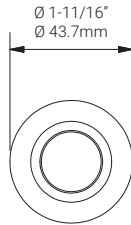
Mounting Options & Dimensions

LED Insert Dimensions

Fixture



Top View



3D View

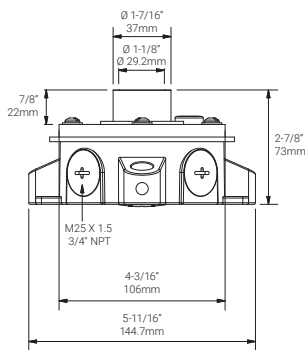


Beam

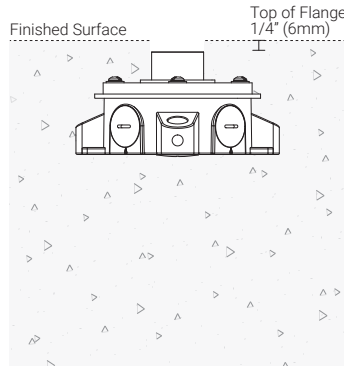


In-ground Installation (shown with MP Lighting Back Box & Standard Flange | Order Code: [EBX-OCT1-BSMA](#) or [EBX-OCT1-BSS6](#))

Box with Standard Flange



Box with Standard Flange:
During Concrete Installation



Box with Standard Flange:
Complete Concrete Installation



Appendix

Aluminum Finishes



MA matte clear anodized



BA black anodized



BZ bronze powder coated

Stainless Steel Finishes

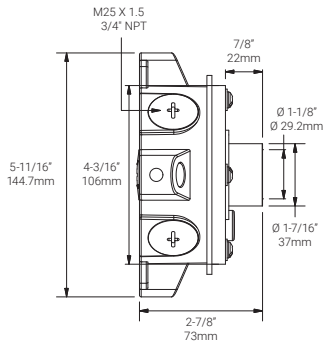


S6 polished stainless steel 316

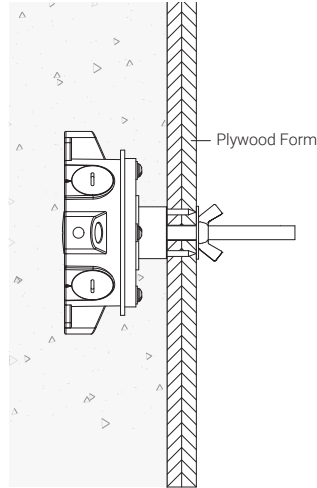
Mounting Kits

MK1(MK1-OCT1-C) : Ceiling, Wall, and Stair Riser Installation (shown with MP Lighting Back Box | Order Code: EBX-OCT1-BSMA or EBX-OCT1-BSS6)

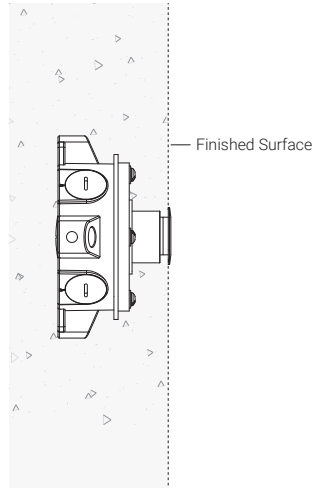
Box with Standard Flange



Box with Standard Flange & MK1:
During Installation



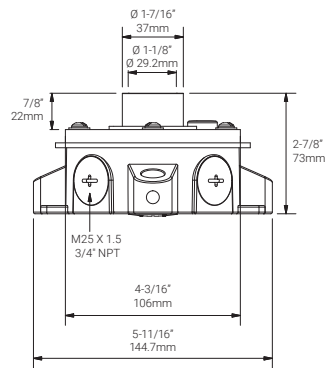
Box with Standard Flange:
Complete Installation



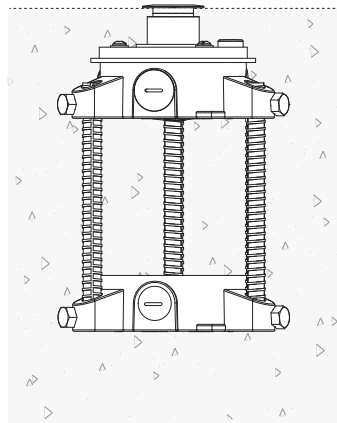
6" (152mm) threaded rod is supplied. Thread size: 3/8"-16

MK3: In-ground Installation (shown with MP Lighting Back Box)

Back Box
(EBX-OCT1-BSMA)



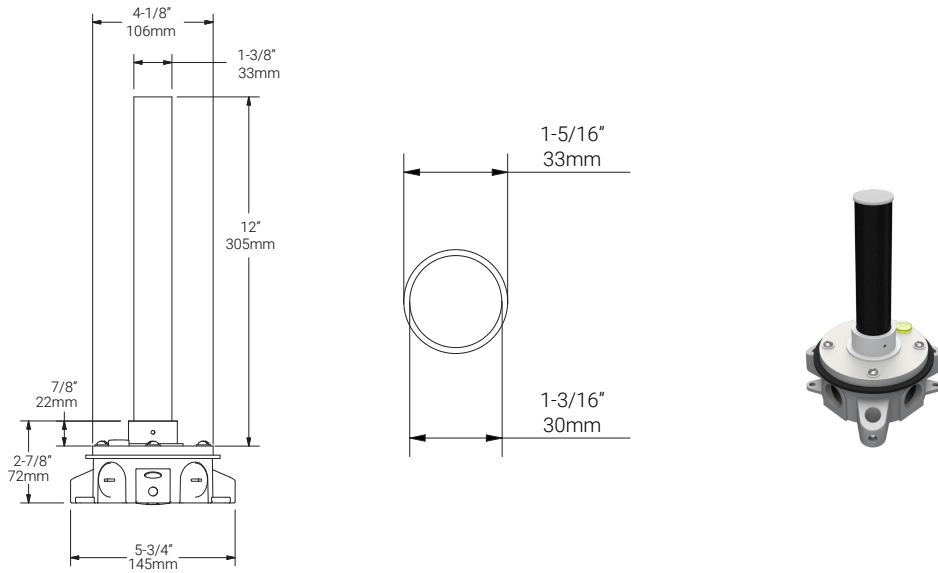
MK3 with Standard Flange and
Back Box



Rebar supplied by others.
Recommended size: Ø1/2"

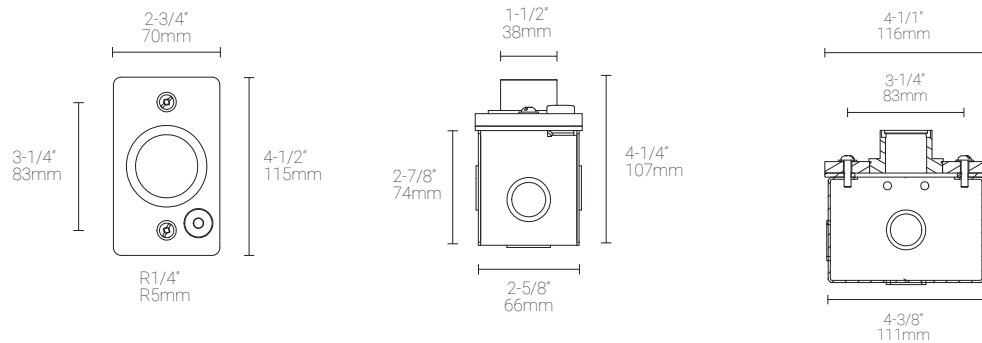
EBX-OCT1-BPIPE

PIPE (PIPE-B) : In-ground/Landscape Installation | Shown with MP Lighting Back Box (Order Code: EBX-OCT1-BPIPE)

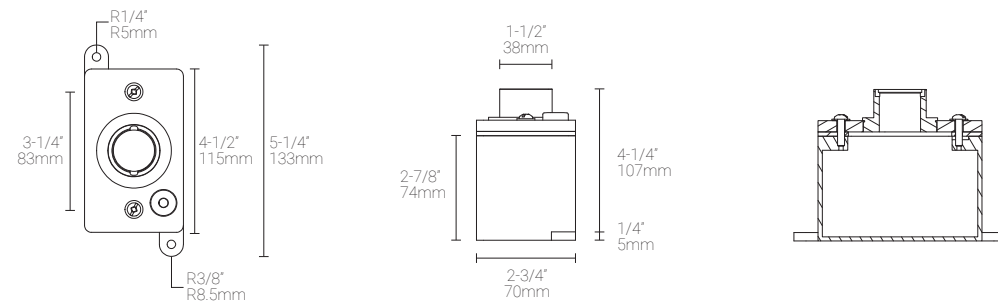


Rectangular Back Box for Wall Installation (shown with Standard Flange)

MP Lighting Single Gang Back Box | Order Code: EBX-SGB1-BSMA or EBX-SGB1-BSS6

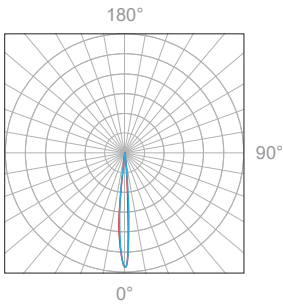


Scepter FD Back box | Order Code: EBX-SFD-BSMA



1W, 3000K, 90+ CRI

Polar Candela Distribution



Beam Width: 12°



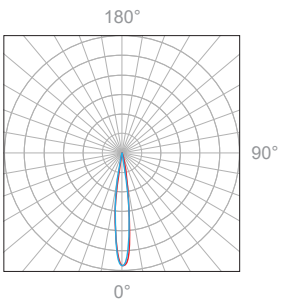
Illuminance at a Distance

Distance		Center Beam fc	Beam Width			
1.5ft	0.46m	148fc	0.6ft	0.18m	0.6ft	0.18m
3.0ft	0.91m	37.0fc	1.3ft	0.39m	1.2ft	0.36m
4.5ft	1.37m	16.4fc	1.9ft	0.58m	1.9ft	0.58m
6.0ft	1.83m	9.25fc	2.6ft	0.79m	2.5ft	0.76m
7.5ft	2.29m	5.92fc	3.2ft	0.97m	3.1ft	0.94m
9.0ft	2.74m	4.11fc	3.9ft	1.18m	3.7ft	1.12m

Delivered Lumen: 83.2 lm
 ■ Vertical Beam Spread: 24.1°
 ■ Horizontal Beam Spread: 23.3°

Tested on 10/07/2024

Polar Candela Distribution



Beam Width: 30°



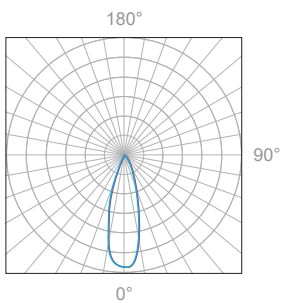
Illuminance at a Distance

Distance		Center Beam fc	Beam Width			
1.5ft	0.46m	99.3fc	0.8ft	0.24m	0.9ft	0.27m
3.0ft	0.91m	24.8fc	1.6ft	0.49m	1.7ft	0.52m
4.5ft	1.37m	11.0fc	2.4ft	0.73m	2.6ft	0.79m
6.0ft	1.83m	6.21fc	3.2ft	0.97m	3.5ft	1.06m
7.5ft	2.29m	3.97fc	4.0ft	1.22m	4.3ft	1.31m
9.0ft	2.74m	2.76fc	4.8ft	1.46m	5.2ft	1.58m

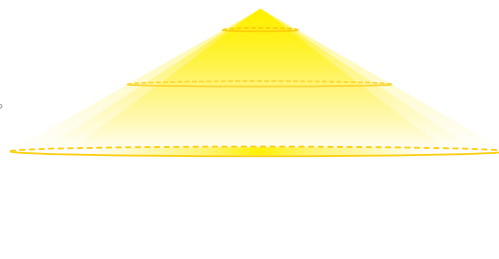
Delivered Lumen: 81 lm
 ■ Vertical Beam Spread: 29.9°
 ■ Horizontal Beam Spread: 32.1°

Tested on 10/07/2024

Polar Candela Distribution



Beam Width: 120°



Illuminance at a Distance

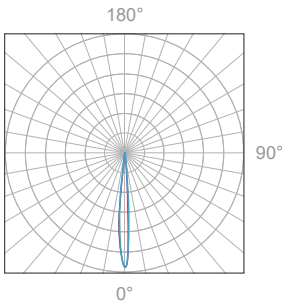
Distance		Center Beam fc	Beam Width			
1.5ft	0.46m	15.0fc	2.3ft	0.70m	2.3ft	0.70m
3.0ft	0.91m	3.7fc	4.6ft	1.40m	4.7ft	1.43m
4.5ft	1.37m	1.67fc	6.8ft	2.07m	7.0ft	2.13m
6.0ft	1.83m	0.94fc	9.1ft	2.77m	9.3ft	2.83m
7.5ft	2.29m	0.60fc	11.4ft	3.47m	11.7ft	3.56m
9.0ft	2.74m	0.42fc	13.7ft	4.17m	14.0ft	4.26m

Delivered Lumen: 44 lm
 ■ Vertical Beam Spread : 74.4°
 ■ Horizontal Beam Spread : 75.7°

Tested on 10/07/2024

2W, 3000K, 90+ CRI

Polar Candela Distribution



Beam Width: 12°



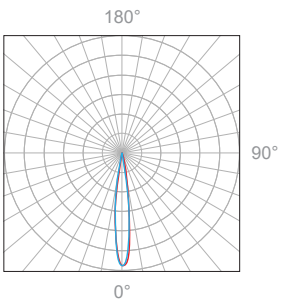
Illuminance at a Distance

Distance		Center Beam fc	Beam Width			
1.5ft	0.46m	253fc	0.6ft	0.18m	0.6ft	0.18m
3.0ft	0.91m	63.2fc	1.3ft	0.39m	1.3ft	0.39m
4.5ft	1.37m	28.1fc	1.9ft	0.58m	1.9ft	0.58m
6.0ft	1.83m	15.8fc	2.6ft	0.79m	2.5ft	0.76m
7.5ft	2.29m	10.1fc	3.2ft	0.97m	3.2ft	0.97m
9.0ft	2.74m	7.03fc	3.9ft	1.15m	3.8ft	1.15m

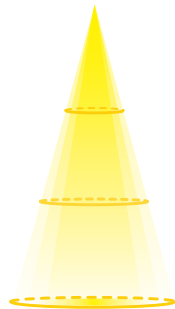
Delivered Lumen: 145.7 lm
 ■ Vertical Beam Spread: 24.1°
 ■ Horizontal Beam Spread: 23.9°

Tested on 10/07/2024

Polar Candela Distribution



Beam Width: 30°



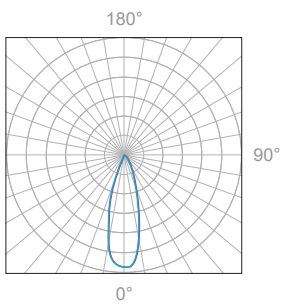
Illuminance at a Distance

Distance		Center Beam fc	Beam Width			
1.5ft	0.46m	171fc	0.8ft	0.24m	0.8ft	0.24m
3.0ft	0.91m	42.7fc	1.6ft	0.48m	1.7ft	0.52m
4.5ft	1.37m	19.0fc	2.4ft	0.73m	2.5ft	0.76m
6.0ft	1.83m	10.7fc	3.2ft	0.97m	3.3ft	1.00m
7.5ft	2.29m	6.83fc	4.0ft	1.22m	4.2ft	1.28m
9.0ft	2.74m	4.74fc	4.8ft	1.46m	5.0ft	1.52m

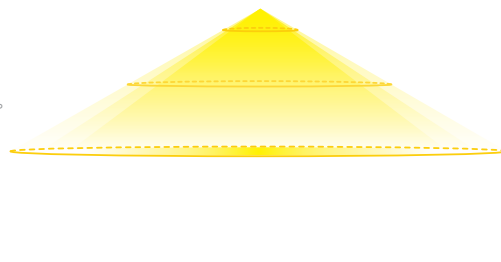
Delivered Lumen: 141.8 lm
 ■ Vertical Beam Spread: 30.0°
 ■ Horizontal Beam Spread: 31.1°

Tested on 10/07/2024

Polar Candela Distribution



Beam Width: 120°



Illuminance at a Distance

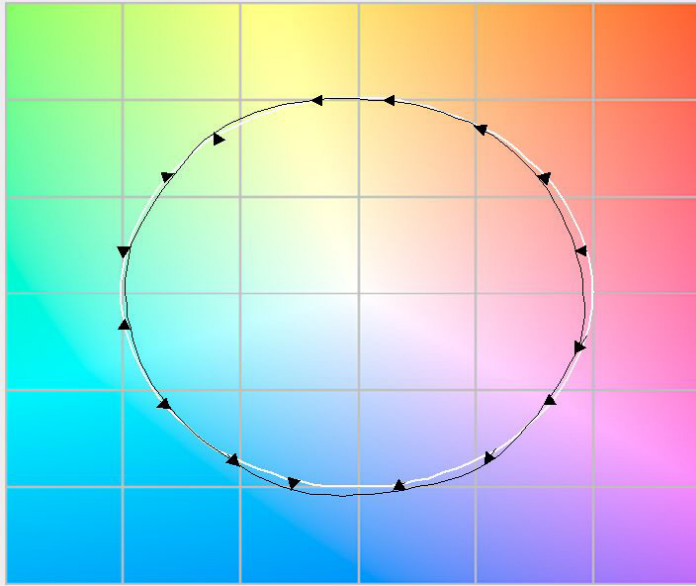
Distance		Center Beam fc	Beam Width			
1.5ft	0.46m	27.2fc	2.3ft	0.70m	2.3ft	0.70m
3.0ft	0.91m	6.79fc	4.6ft	1.40m	4.5ft	1.37m
4.5ft	1.37m	3.02fc	6.9ft	2.10m	6.8ft	2.07m
6.0ft	1.83m	1.70fc	9.2ft	2.80m	9.0ft	2.74m
7.5ft	2.29m	1.09fc	11.5ft	3.50m	11.3ft	3.44m
9.0ft	2.74m	0.75fc	13.8ft	4.20m	13.6ft	4.14m

Delivered Lumen: 77.4 lm
 ■ Vertical Beam Spread : 74.8°
 ■ Horizontal Beam Spread : 74.0°

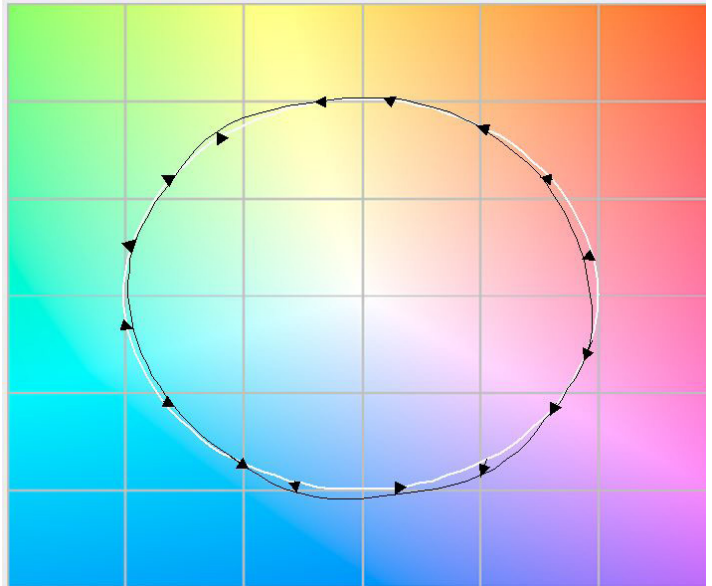
Tested on 10/07/2024

TM30 Report

2700K, 90+CRI



3000K, 90+CRI



3500K, 90+CRI

