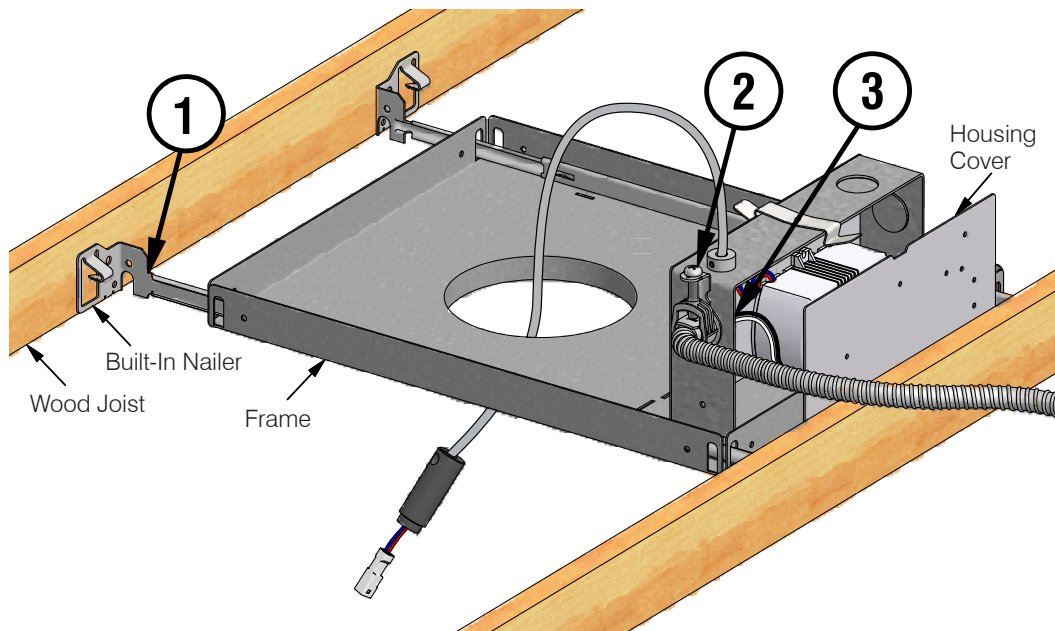


Non-Insulated Frame Installation

- 1** Mount frame by aligning mounting bar end so it is flush with bottom of joist. Hammer in *built-in nailer*.
- 2** Open driver housing by removing cover from either side. Next remove appropriate knock out plug and thread supplied *BX connector* onto stripped *BX cable*. If using 'LUMEX' type cable, substitute clamp type *BX connector*.
- 3** Connect neutral (*white*) and line (*black*) leads, then replace driver housing cover.
- 4** After drywall installation cut $\text{\O}4''$ ($\text{\O}102\text{mm}$) hole using a gyproc saw or drywall trimmer.

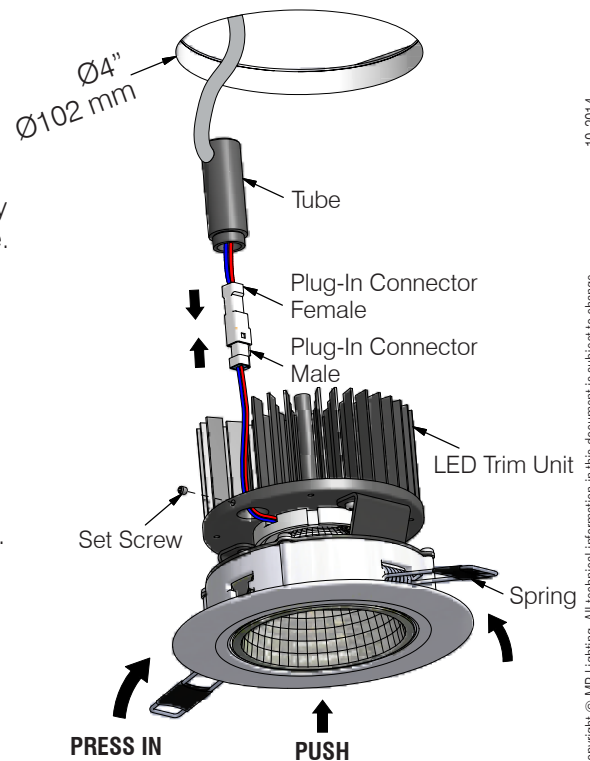


**Do not use lamp holder / LED trim unit as temporary lighting. Plug-in connector cannot support weight of hanging LED Unit.*

LED Trim Unit Installation

- 1** While power is off connect *LED Trim Unit* wires to driver wires by joining both sides of *plug-in connector* together, female to male.
**Connecting LEDs to a live driver will cause LEDs to Fail.*
- 2** Place *plug-in connector* inside tube then insert tube into hole on LED Trim Unit. Secure in place with set screw.
- 3** Press springs inward while pushing fixture up through hole in drywall. Allow springs to release once on the other side.

Trim should now rest against drywall covering the hole opening.



L401NI

Installation Instructions

! CAUTION

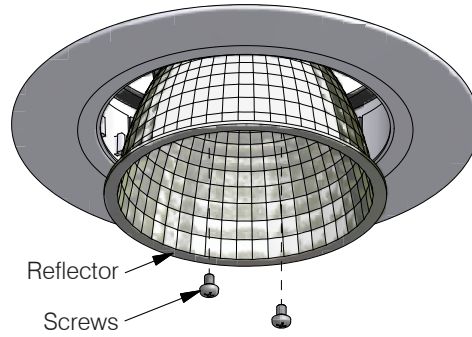
- Read all instructions.
- **WARNING: RISK OF FIRE OR ELECTRICAL SHOCK:** Do not make or alter any openings in the compartment of wiring or electrical components during installation. Do not alter or add ballasts, or any other electrical components.
- Installation and use of this fixture mounting assembly requires a person familiar with the construction and operation of luminaire electrical systems and the hazards involved, if not qualified, do not attempt installation.
- Turn off power before installation.
- Not suitable for insulated ceilings.
- Do not use LED trim unit as temporary (hanging) lighting.
- Do not spray water on fixture during cleaning. Avoid using detergents with hand softeners, anti-bacterial agents, glass cleaners or acrylic cleaning products.
- **KEEP THESE INSTALLATION INSTRUCTIONS.**

[M] MPLIGHTING®

t1.877.708.1184 f604.708.1185 www.mplighting.com
16 West 4th Avenue, Vancouver BC V5Y 1G3, Canada

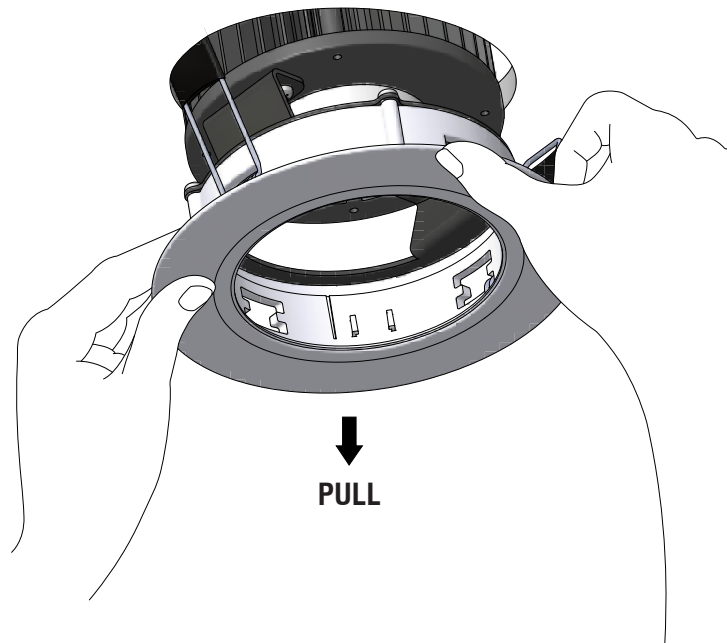
To Remove LED Trim Unit

- 1 First remove the reflector by loosening the two screws.



- 2 Once reflector is removed grip trim firmly and pull down.

Pulling on trim will cause springs to compress inwards allowing them to fit through the ceiling opening. Once through hole springs will release.



L401NI

Installation Instructions

CAUTION

- Read all instructions.
- **WARNING: RISK OF FIRE OR ELECTRICAL SHOCK:** Do not make or alter any openings in the compartment of wiring or electrical components during installation. Do not alter or add ballasts, or any other electrical components.
- Installation and use of this fixture mounting assembly requires a person familiar with the construction and operation of luminaire electrical systems and the hazards involved, if not qualified, do not attempt installation.
- Turn off power before installation.
- Not suitable for insulated ceilings.
- Do not use LED trim unit as temporary (hanging) lighting.
- Do not spray water on fixture during cleaning. Avoid using detergents with hand softeners, anti-bacterial agents, glass cleaners or acrylic cleaning products.
- **KEEP THESE INSTALLATION INSTRUCTIONS.**

 **MPLIGHTING**[®]

t1.877.708.1184 f604.708.1185 www.mplighting.com
16 West 4th Avenue, Vancouver BC V5Y 1G3, Canada

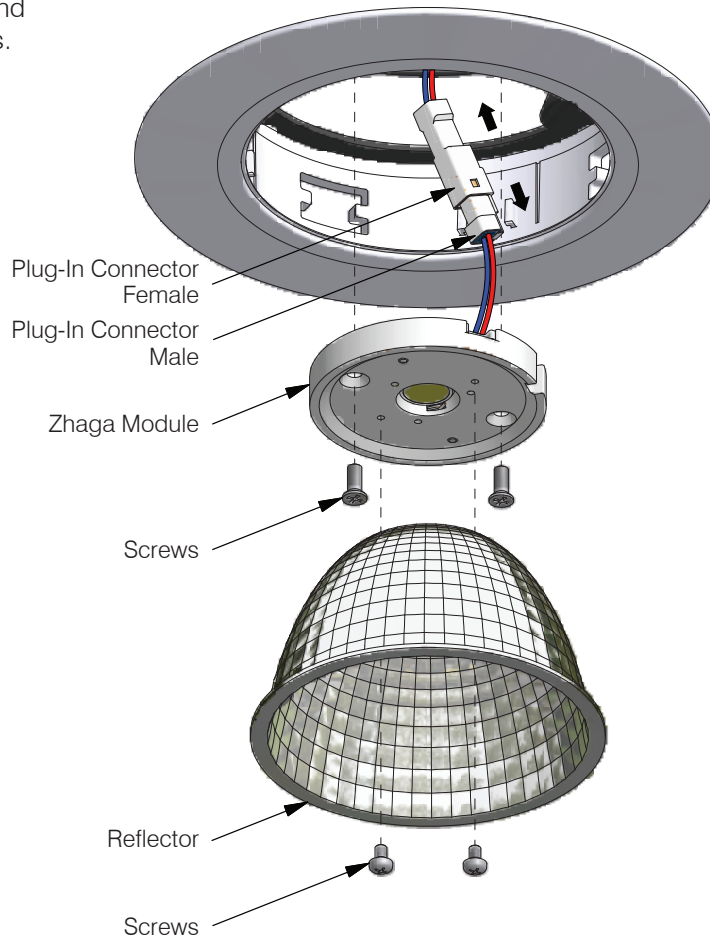
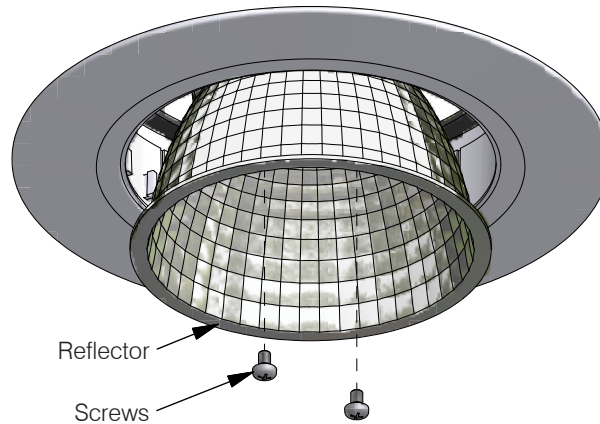
LED Lamp (Zhaga Module) Replacement

1 First remove the reflector by loosening the two screws.

2 Once reflector is removed then loosen the two screws holding the Zhaga module and pull out module.

3 Ensure power is off pull sides of *plug-in connector* apart to separate, female and male.

4 Replace with new LED Zhaga Module and reverse the steps.



L401NI

Installation Instructions

CAUTION

- Read all instructions.
- **WARNING: RISK OF FIRE OR ELECTRICAL SHOCK:** Do not make or alter any openings in the compartment of wiring or electrical components during installation. Do not alter or add ballasts, or any other electrical components.
- Installation and use of this fixture mounting assembly requires a person familiar with the construction and operation of luminaire electrical systems and the hazards involved, if not qualified, do not attempt installation.
- Turn off power before installation.
- Not suitable for insulated ceilings.
- Do not use LED trim unit as temporary (hanging) lighting.
- Do not spray water on fixture during cleaning. Avoid using detergents with hand softeners, anti-bacterial agents, glass cleaners or acrylic cleaning products.
- **KEEP THESE INSTALLATION INSTRUCTIONS.**

 **MPLIGHTING**[®]

t1.877.708.1184 f604.708.1185 www.mplighting.com
16 West 4th Avenue, Vancouver BC V5Y 1G3, Canada