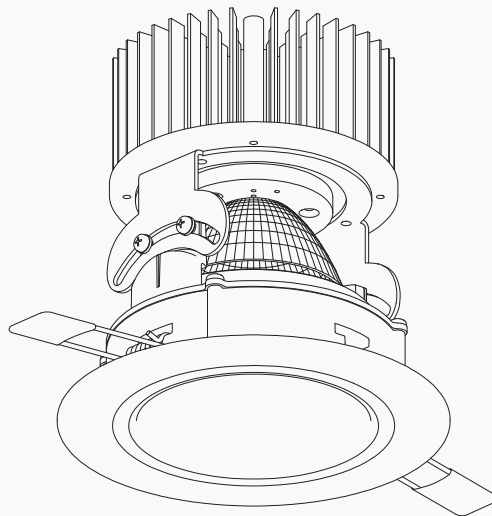


# L402

*Recessed Downlight*



# L402

Recessed Downlight

## Parts

LED Unit  
Non-Insulated Frame  
Driver Housing with Driver  
BX Connector and Conduit (Not Included)

## Non-Insulated Frame Installation

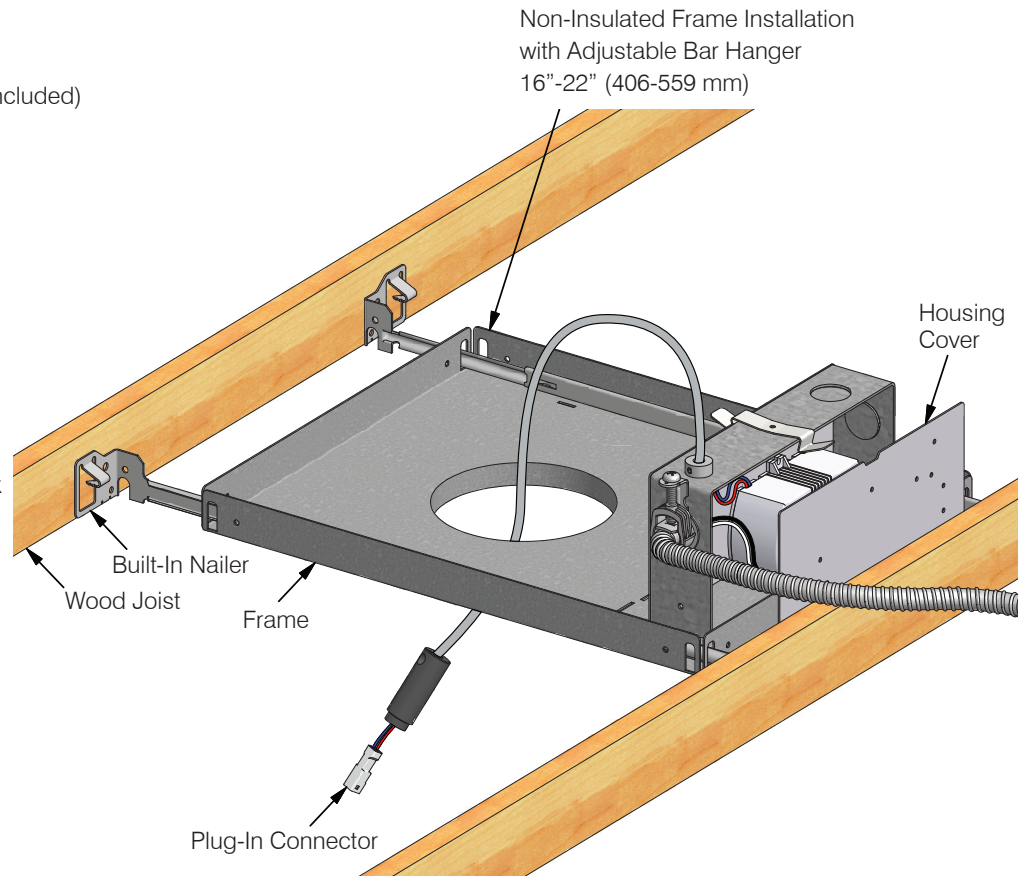
- 1) Mount frame by aligning bar hanger end so it is flush with bottom of joist. Hammer in built-in nailer.
- 2) While power is off, open driver housing by removing cover. Next remove appropriate knock out plug and thread supplied BX connector onto stripped BX cable. If using 'LUMEX' type cable, substitute clamp type BX connector. *(Connectors not included)*

*\*Connecting LEDs to a live driver will cause LEDs to Fail.*

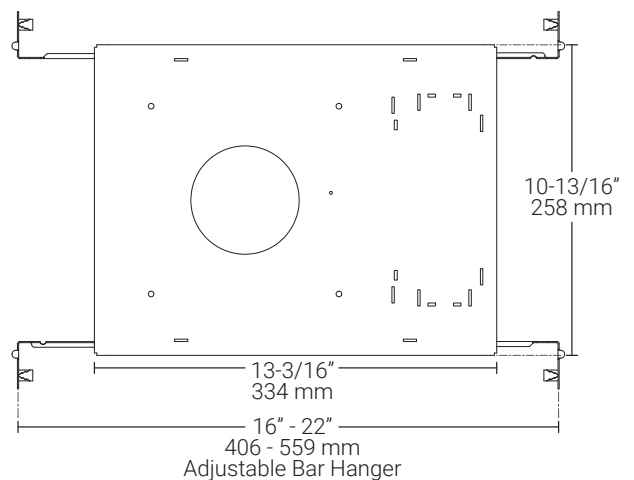
- 3) Connect neutral (*white*) and line (*black*) leads, then replace driver housing cover.

*\*Wiring can be done subsequent to the drywall installation (See Retrofit Installation).*

- 4) After drywall installation cut  $\text{Ø}4"$  ( $\text{Ø}102\text{mm}$ ) hole using a gyproc saw or drywall trimmer.



*\*Do not use lamp holder / LED trim unit as temporary lighting. Plug-in connector cannot support weight of hanging LED Unit.*



# L402

Recessed Downlight

## LED Trim Unit Installation

1) While power is off connect LED Trim Unit wires to driver wires by joining both sides of plug-in connector together, female to male.

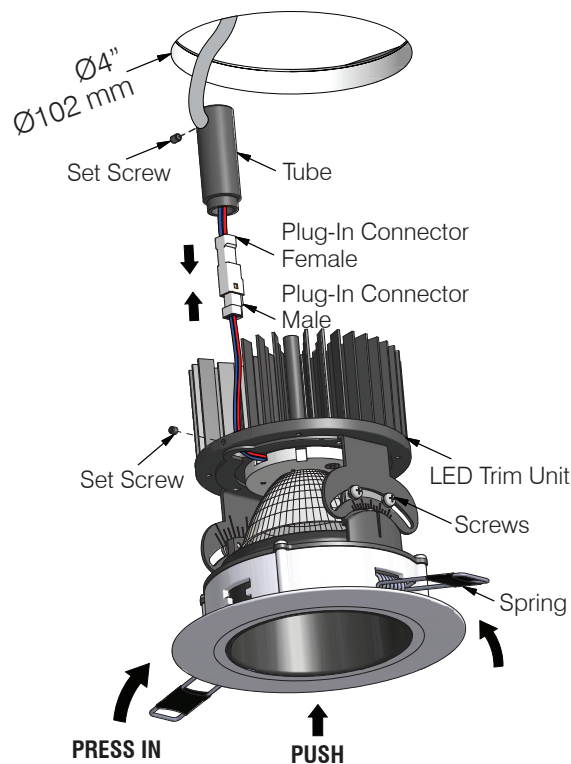
*\*Connecting LEDs to a live driver will cause LEDs to Fail.*

2) Place plug-in connector inside tube then insert tube into hole on LED Trim Unit. Secure in place with set screw.

3) Make sure fixture is in desired direction and beam position or adjust accordingly. Lock into position by tightening screws.

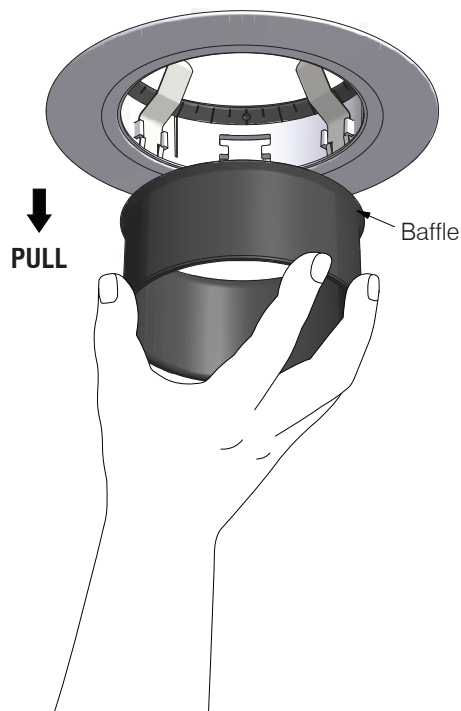
4) Press springs inward while pushing fixture up through hole in drywall. Allow springs to release once on the other side.

Trim should now rest against drywall covering the hole opening.



## To Remove LED Trim Unit

1) Remove the Baffle by pulling straight down.

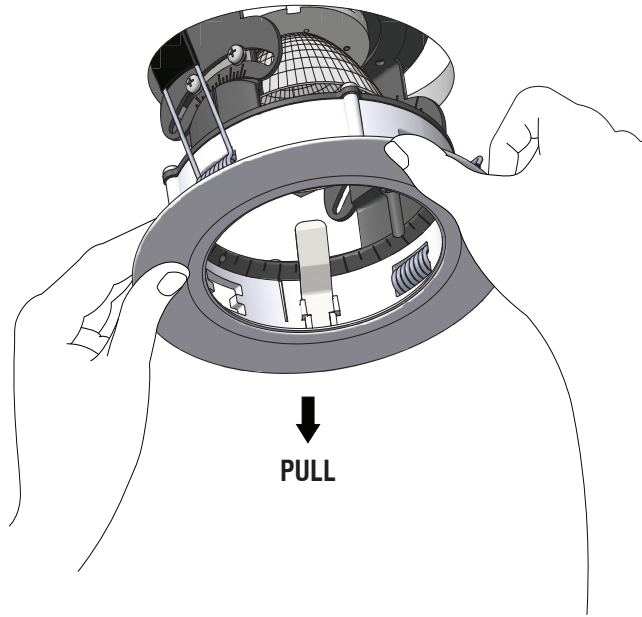


# L402

Recessed Downlight

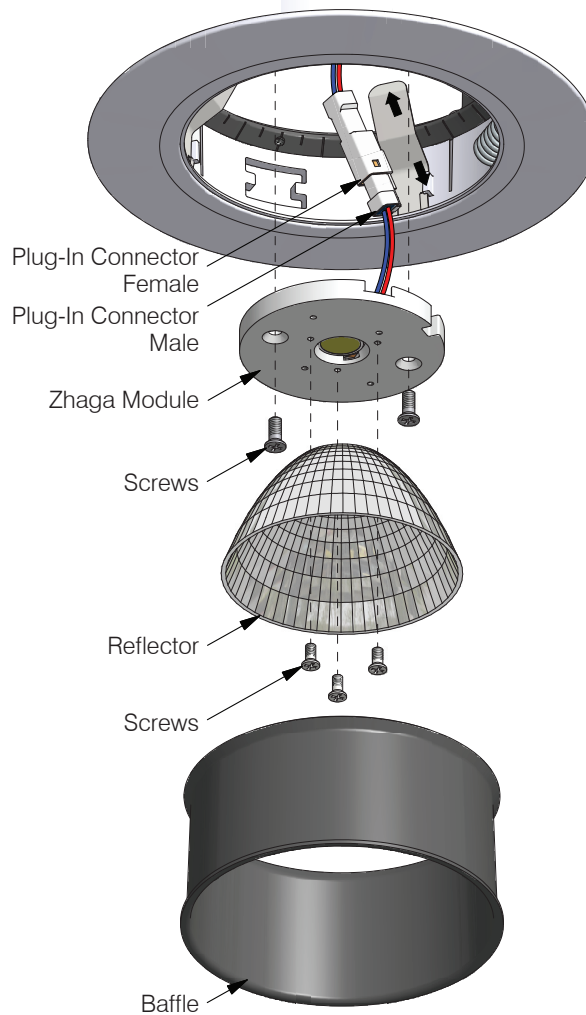
- 2) Once Baffle is removed, grip trim firmly and pull down.

Pulling on trim will cause springs to compress inwards allowing them to fit through the ceiling opening. Once through ceiling hole springs will release.



## LED Lamp (Zaga Module) Replacement

- 1) First remove the baffle by pulling straight down.
- 2) Next remove the reflector by loosening the three screws.
- 3) Once reflector is removed then loosen the two screws holding the Zhaga module and pull out module.
- 4) Ensure power is off pull sides of plug-in connector apart to separate, female and male.
- 5) Replace with new LED Zhaga Module and reverse the steps.



## IMPORTANT SAFETY INSTRUCTIONS

KEEP THESE INSTALLATION INSTRUCTIONS

(Including General and Additional Markings for Fixtures)

(FOR MP LIGHTING LED LUMINAIRES, CLASS 3402-xx)

General and additional markings

1. For Use Only with Certified/NRTL Driver, Model \_\_\_\_\_
2. DRY LOCATIONS ONLY

Installation instructions

1. The grounding installation shall be done in accordance with CEC-Part 1.
2. WARNING: RISK OF FIRE OR ELECTRIC SHOCK: DO NOT MAKE OR ALTER ANY OPENINGS IN THE COMPARTMENT OF WIRING OR ELECTRICAL COMPONENTS DURING INSTALLATION. DO NOT ALTER OR ADD BALLASTS, OR ANY OTHER ELECTRICAL COMPONENTS.
3. INSTALLATION AND USE OF THIS FIXTURE MOUNTING ASSEMBLY REQUIRES A PERSON FAMILIAR WITH THE CONSTRUCTION AND OPERATION OF LUMINAIRE ELECTRICAL SYSTEMS AND THE HAZARD INVOLVED, IF NOT QUALIFIED, DO NOT ATTEMPT INSTALLATION. CONTACT A QUALIFIED ELECTRICIAN.
4. TURN OFF POWER BEFORE INSTALLATION.
5. KEEP THESE INSTALLATION INSTRUCTIONS.

## CONSIGNES DE SÉCURITÉ IMPORTANTES

CONSERVER CES INSTRUCTIONS D'INSTALLATION

(Dont le général et marques supplémentaires pour les appareils)

(Pour les luminaires LED MP D'ÉCLAIRAGE , CLASS 3402 -xx )

Général et marquages supplémentaires

1. A utiliser uniquement avec Certified / NRTL pilote, modèle \_\_\_\_\_
2. POUR EMBLEMES SECS SEULEMENT

Les instructions d'installation

1. L'installation de mise à la terre doit être fait en conformité avec CEC Partie 1.
2. AVERTISSEMENT : RISQUE D'INCENDIE OU D'ÉLECTROCUTION : NE PAS FAIRE OU MODIFIER DES OUVERTURES DANS LE COMPARTIMENT DE CÂBLAGE OU DE COMPOSANTS ÉLECTRIQUES LORS DE L'INSTALLATION. NE PAS MODIFIER OU AJOUTER DES BALLASTS, OU AUTRES COMPOSANTS ÉLECTRIQUES
3. CE PRODUIT DOIT ÊTRE INSTALLÉ SELON LE CODE D'INSTALLATION PERTINENT, PAR UNE PERSONNE QUI CONNAÎT BIEN LE PRODUIT ET SON FONCTIONNEMENT AINSI QUE LES RISQUES INHÉRENTS. CONSULTER UN ÉLECTRICIEN QUALIFIÉ.
4. COUPER LE COURANT AVANT L'INSTALLATION.
5. CONSERVEZ CES INSTRUCTIONS.