

# L501

INTERIOR  
Recessed Downlight

- Dry location



Shown with Coil Spring Clips

## Ordering Information

Clear Form

Date : \_\_\_\_\_

Quantity : \_\_\_\_\_

Project : \_\_\_\_\_

Note : \_\_\_\_\_

Type : \_\_\_\_\_

## Specifications

Luminaire | Example Code: L501-2-W30H-N-BA

Product	Wattage <sup>1</sup>	CCT & CRI <sup>2</sup>	Beam Angle	Finish <sup>3</sup>
L501	2			
	2 2W	<b>Standard (80+) CRI:</b> W22S 2200K 80+  <b>High (90+) CRI:</b> W27H 2700K 90+ W30H 3000K 90+ W35H 3500K 90+ W41H 4100K 90+	S spot 12° N narrow flood 30° F flood 45°	<b>Aluminum Finishes:</b> MA matte clear anodized BA black anodized BZ bronze powder coated WH white powder coated  <b>Other Materials:</b> ABZ antique bronze

## System Components (Ordered Separately)

Remote Driver : \_\_\_\_\_

\* Consult MP Lighting Website or Factory.

## Important Notes

### Specification

1. Available 120V. Consult factory for other voltage options.
2. Refer to pg.2 - for light quality and colour consistency details.
3. Refer to Appendix or MP Lighting website for complete look of luminaire with different finish options.

### Warranty Notes & Disclaimer

Malfunction and damage to product due to incompatible dimming system or misuse will not be covered under warranty. Consult MP Lighting for recommended drivers. If the fixture has an option to be installed with a dimming control system, consult a dimming system manufacturer with minimum load before installing. MP Lighting reserves the right, at its sole discretion, at any time and without notice, to make design changes to any of our products. Consult MP Lighting website for most updated documentation.

# L501

**INTERIOR**  
Recessed Downlight

- Dry location



Shown with Coil Spring Clips

## Performance

Wattage	Forward Current	Power Consumption Budget per fixture (including driver)	LED output (Source)	Fixture Output (Delivered)
2W	700mA	3W	220 lm	100-133 lm

## Application

Environment	Dry Location approved. IP 40.
Mounting	Recessed mount to cabinet millwork with coil spring clips. Comes with 2' (610 mm) wire lead. Cut out size: 2" (610mm)

## Electrical

Electrical	Remote LED drivers (120-277V AC input, <b>constant current output</b> ). Fixtures to be wired in series.
Control	<b>On/off control</b> <b>Dimming:</b> ELV or 0-10V dimming with appropriate drivers <b>Other options (consult factory):</b> TRIAC/MLV, DMX, DALI, Casambi, Power over Ethernet

## Luminaire Construction

LED Light Source	<b>W22S</b> = CCT: 2200K, CRI (Ra): 80+, Colour Consistency: 3SDCM <b>W27H</b> = CCT: 2700K, CRI (Ra): 90+, Colour Consistency: 2SDCM <b>W30H</b> = CCT: 3000K, CRI (Ra): 90+, Colour Consistency: 2SDCM <b>W35H</b> = CCT: 3500K, CRI (Ra): 90+, Colour Consistency: 2SDCM <b>W41H</b> = CCT: 4100K, CRI (Ra): 90+, Colour Consistency: 3SDCM
Weight	0.07lbs (0.03kg)
Material	<b>Fixture:</b> Solid anodized aluminum
Supplied with	<b>Standard installation housing:</b> Comes with universal crossbar and mounting screws (2).
Warranty & LED Life	5 years limited warranty Estimated useful life of LED is 50,000 hours.

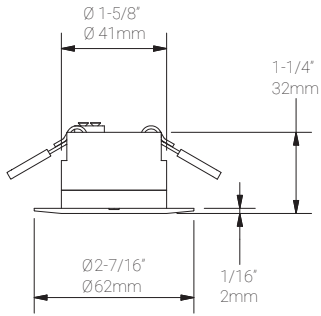
## Ordered Separately

System Components	<b>Power supplies:</b> remote driver Please consult factory or visit <a href="#">Recommended Drivers</a> for available driver options.
-------------------	---

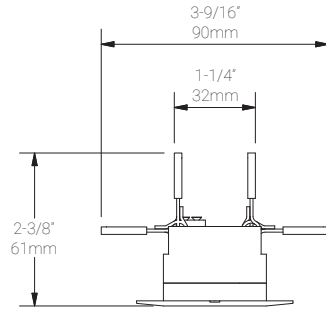
## Mounting Options & Dimensions

### LED Fixture Dimensions

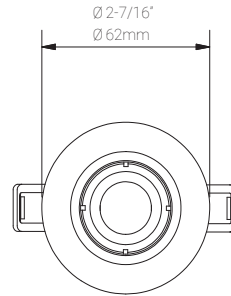
Fixture dimension



Coil Spring Clip dimension



Fixture (Top View)



3D View



## Appendix

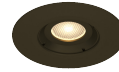
### Aluminum Finishes



MA matte clear anodized



BA black anodized

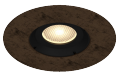


BZ bronze powder coated



WH white powder coated

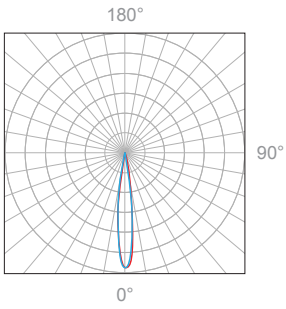
### Aluminum Finishes



ABZ antique bronze

2W, 2700K, 90+ CRI

Polar Candela Distribution



Beam Width: 12°

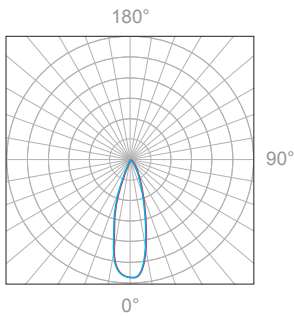


Illuminance at a Distance

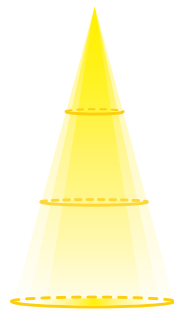
Distance		Center Beam fc	Beam Width			
3.0ft	0.91m	85.0fc	0.2ft	0.06m	0.2ft	0.06m
6.0ft	1.83m	20.0fc	0.5ft	0.15m	0.5ft	0.15m
9.0ft	2.74m	8.9fc	0.7ft	0.21m	0.7ft	0.21m
12ft	3.66m	5.1fc	1.0ft	0.30m	1.0ft	0.30m
15ft	4.57m	3.2fc	1.2ft	0.36m	1.2ft	0.36m
18ft	5.49m	2.2fc	1.5ft	0.45m	1.5ft	0.45m

■ Vertical Beam Spread : 14°  
 ■ Horizontal Beam Spread : 14.1°

Polar Candela Distribution



Beam Width: 30°

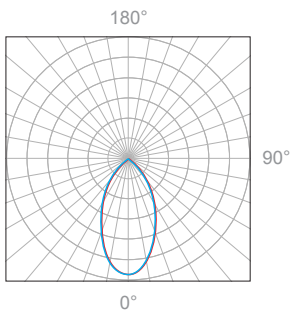


Illuminance at a Distance

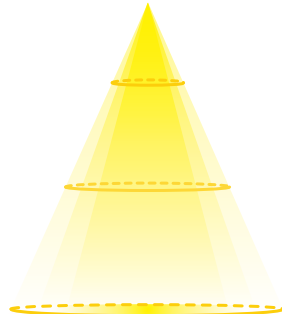
Distance		Center Beam fc	Beam Width			
3.0ft	0.91m	77.0fc	0.5ft	0.06m	0.5ft	0.06m
6.0ft	1.83m	19.0fc	1.0ft	0.15m	1.0ft	0.15m
9.0ft	2.74m	8.3fc	1.5ft	0.21m	1.5ft	0.21m
12ft	3.66m	4.7fc	2.0ft	0.30m	2.0ft	0.30m
15ft	4.57m	3.0fc	2.5ft	0.36m	2.5ft	0.36m
18ft	5.49m	2.1fc	3.0ft	0.45m	3.0ft	0.45m

■ Vertical Beam Spread : 28°  
 ■ Horizontal Beam Spread : 29.6°

Polar Candela Distribution



Beam Width: 45°

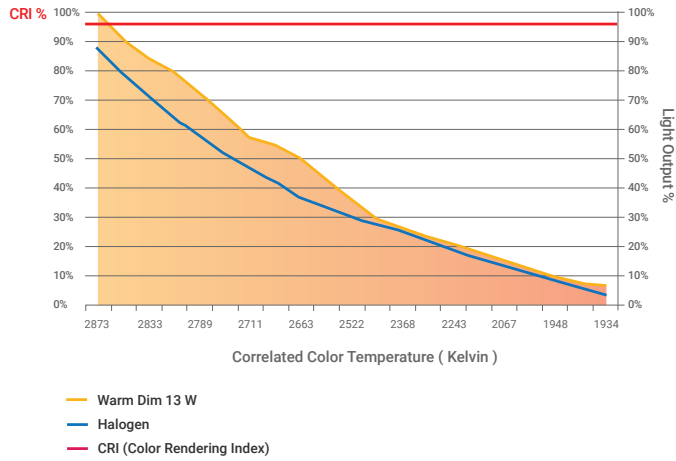


Illuminance at a Distance

Distance		Center Beam fc	Beam Width			
3.0ft	0.91m	22.5fc	2.5ft	0.76m	2.5ft	0.76m
6.0ft	1.83m	5.63fc	4.9ft	1.49m	4.9ft	1.49m
9.0ft	2.74m	2.50fc	7.4ft	2.25m	7.4ft	2.25m
12ft	3.66m	1.41fc	9.8ft	2.98m	9.9ft	3.01m
15ft	4.57m	0.90fc	12.3ft	3.75m	12.3ft	3.75m
18ft	5.49m	0.63fc	14.7ft	4.48m	14.8ft	4.51m

■ Vertical Beam Spread : 47.7°  
 ■ Horizontal Beam Spread : 50°

## Warm Dimming VS. Halogen



## Full Spectrum

Full Spectrum    Standard Illuminant @ 3000K    Ra≥80

