

L641

Interior pendant



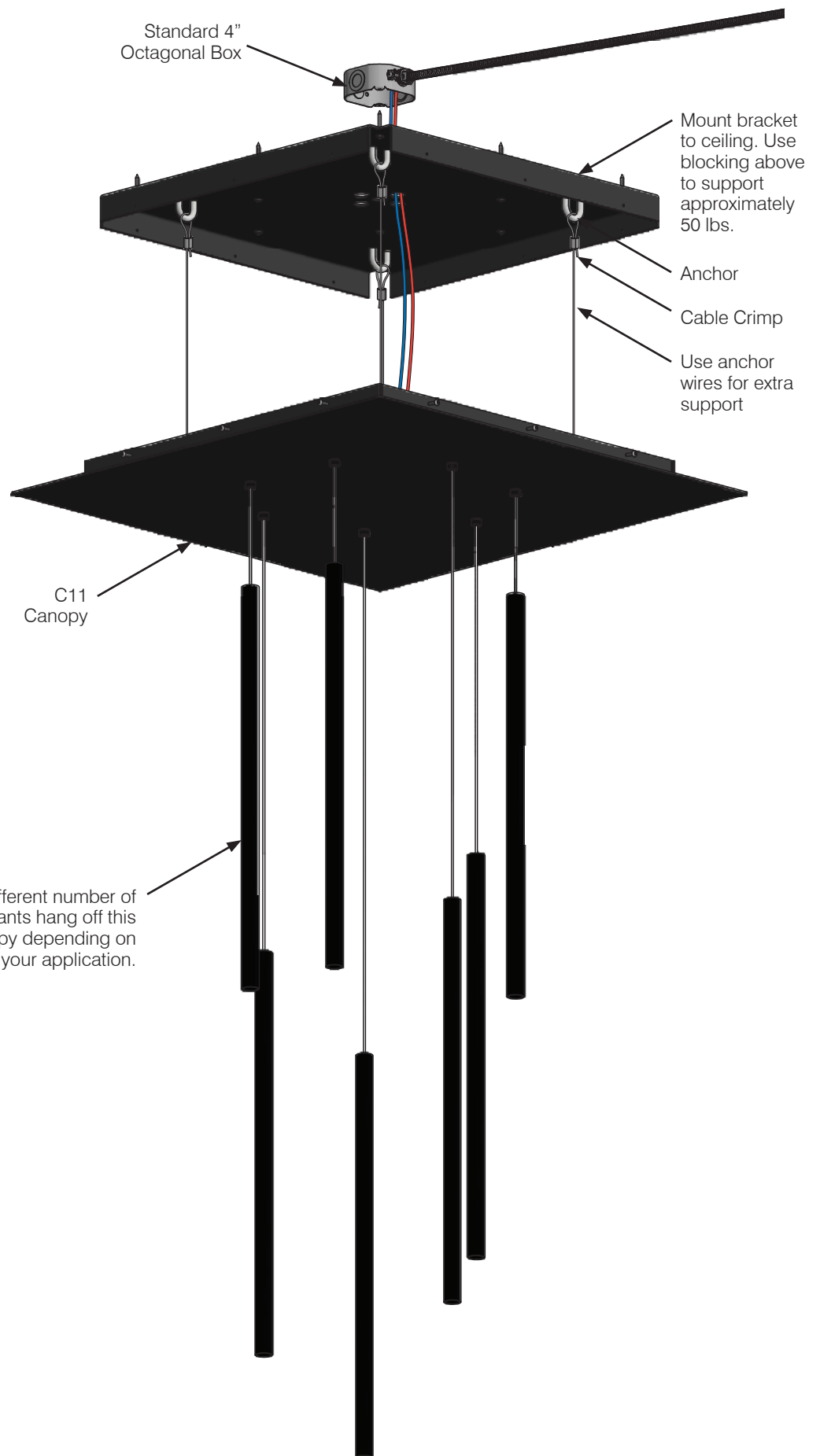
L641

Interior pendant

Parts

LED unit x 1
Canopy x 1
Socket head screws x 10
Safety Cables
Allen key — Included

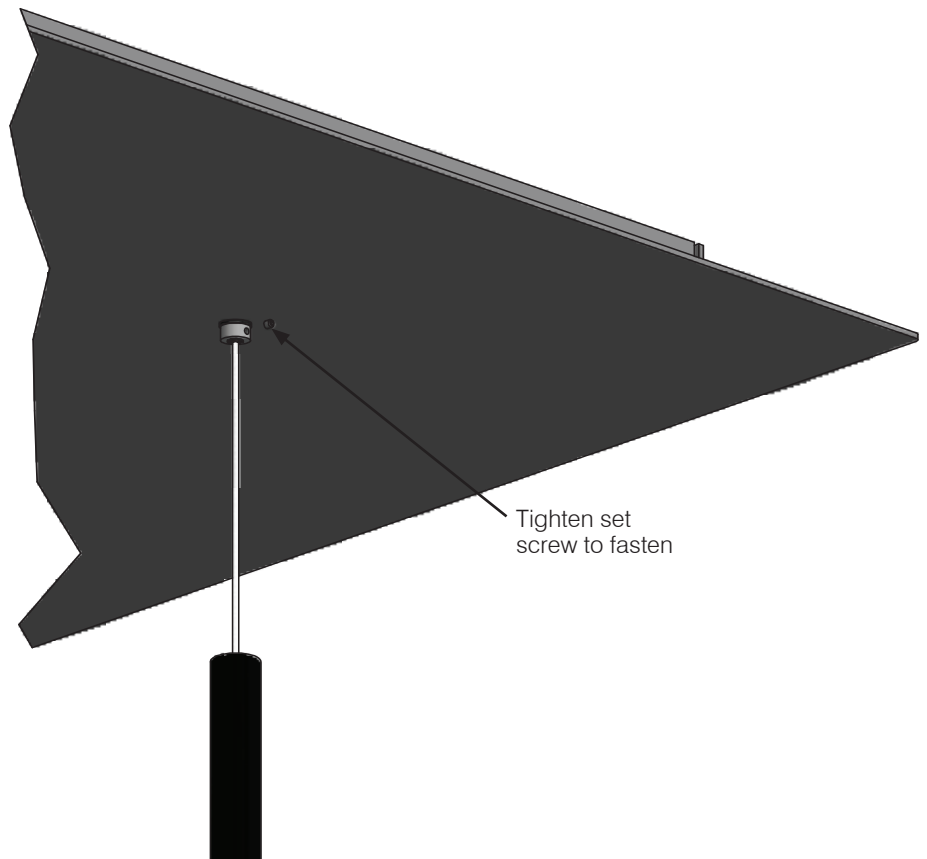
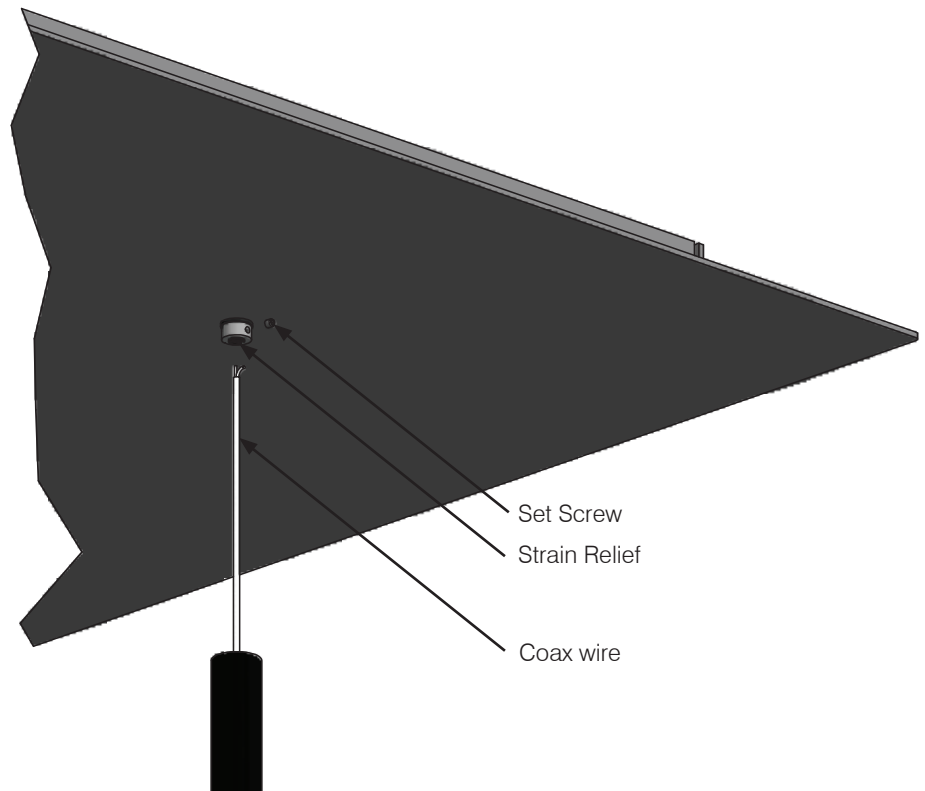
- 1) Connect fixture wires to low voltage wiring (Remote Driver)
- 2) Align bracket to electrical box.
- 3) Mount bracket to the ceiling with screws (by others).
- 4) Attach canopy to bracket and tighten screws (provided) on each side.



L641

Interior pendant

- 1) Cut coax wire to desired length.
- 2) Unbraid outer woven wire to expose 1/2" (13mm) of inner wire. Twist outer strands tightly together.
- 3) Strip 1/8" (3mm) of insulation from inner wire.
- 4) Remove setscrew on canopy.
- 5) Make sure strain relief is in place in the center hole and pull wire through canopy.
- 6) Tighten setscrew when pendant is adjusted to desired height.



L641

Interior pendant

Connect Pendants in Series to Driver Out-put

