

L642

INTERIOR

Pendant System | Composed of L195 X 11

● Dry location



Ordering Information

Clear Form

Date : _____

Quantity : _____

Project : _____

Note : _____

Type : _____

Specifications

Luminaire | Example Code: L642-2-C17-2-W30H-N-C72-BK

| Product | Version | Mounting Option | Length | CCT & CRI ¹ | Beam Angle | Cord ² | Hardware Finish |
|-------------|--------------|--|--|---|--|---|-------------------------------|
| L642 | | C17 | | | | | BK |
| | 1 1W 2 2W | C17 rectangular canopy: 24"X48" (610mmX1219mm) | A 1/2' (6.5") 1 1' 2 2' 4 4' 6 6" | W22S 2200K 80+ W27H 2700K 90+ W30H 3000K 90+ W35H 3500K 90+ W41H 4100K 90+ | S spot 12° N narrow flood 30° | C72 72" (1829mm) CX custom | BK black powder coated |

System Components (Ordered Separately)

Remote Driver : _____

* Consult MP Lighting Website or Factory.

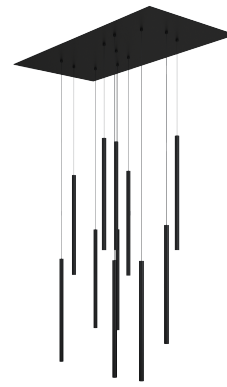
Important Notes

Specification

1. Refer to pg.2 - for light quality and colour consistency details.
2. Minimum: 6" (152mm) Maximum: 8' (2439mm), 1" (25mm) increments.

Warranty Notes & Disclaimer

Malfunction and damage to product due to incompatible dimming system or misuse will not be covered under warranty. Consult MP Lighting for recommended drivers. If the fixture has an option to be installed with a dimming control system, consult a dimming system manufacturer with minimum load before installing. MP Lighting reserves the right, at its sole discretion, at any time and without notice, to make design changes to any of our products. Consult MP Lighting website for most updated documentation.



L642

INTERIOR

Pendant System | Composed of L195 X 11

● Dry location



Performance | Each pendant (L195)

| Wattage | Forward Current | Power Consumption Budget per fixture (including driver) | LED output (Source) | Fixture Output (Delivered) |
|---------|-----------------|---|---------------------|----------------------------|
| 1W | 350mA | 1.3W | 110 lm | 47-56 lm |
| 2W | 700mA | 2.6W | 220 lm | 90-99 lm |

Application

| | |
|-------------|---|
| Environment | Dry Location approved. IP 20. |
| Mounting | C17 canopy retrofit to a 4" octagonal box using the mounting plate (included) |

Electrical

| | |
|----------------|--|
| Power Supplies | Remote LED drivers (120-277V AC input, constant current output): Fixtures to be wired in series. |
| Control | On/off control Dimming: ELV or 0-10V dimming with appropriate drivers Other options (consult factory): TRIAC/MLV, DMX, DALI, Casambi, Power over Ethernet |

Luminaire Construction

| | |
|---------------------|--|
| LED Light Source | W22S = CCT: 2200K, CRI (Ra): 80+, Colour Consistency: 3SDCM W27H = CCT: 2700K, CRI (Ra): 90+, Colour Consistency: 2SDCM W30H = CCT: 3000K, CRI (Ra): 90+, Colour Consistency: 2SDCM W35H = CCT: 3500K, CRI (Ra): 90+, Colour Consistency: 2SDCM W41H = CCT: 4100K, CRI (Ra): 90+, Colour Consistency: 3SDCM |
| Standard Compliance | ✓WELL standard – Feature 58: Color Quality |
| Weight | N/A |
| Material | Fixture & Hardware: Machined marine-grade aluminum |
| Supplied with | Standard installation housing: Comes with a canopy, mounting bracket, socket head screws (14), safety cables. Not included: mounting fasteners Cord: 72" (1829mm) cord is included. Consult factory for custom cord length. |
| Warranty & LED Life | 5 years limited warranty Estimated useful life of LED is 50,000 hours. |

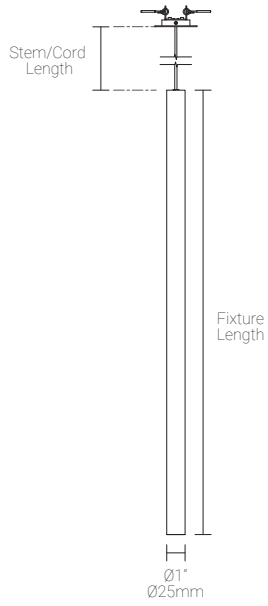
Ordered Separately

| | |
|-------------------|---|
| System Components | Power supplies: remote driver Please consult factory or visit Recommended Drivers for available driver options. |
|-------------------|---|

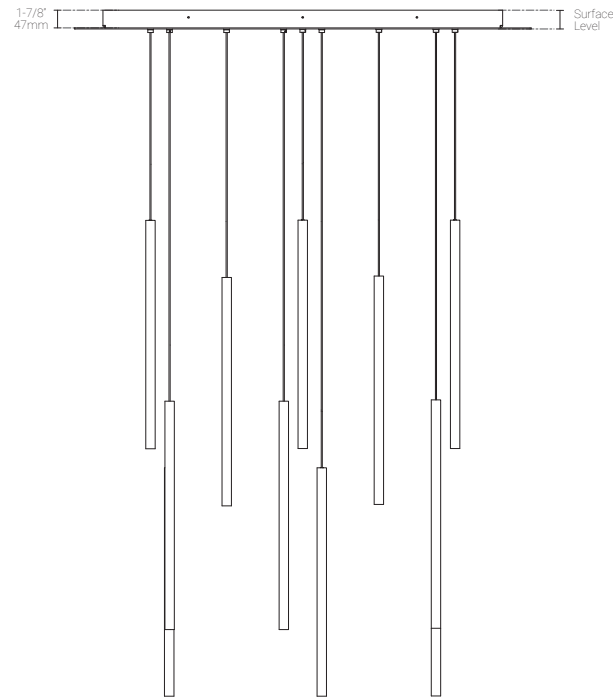
Mounting Options & Dimensions

LED Fixture Dimensions

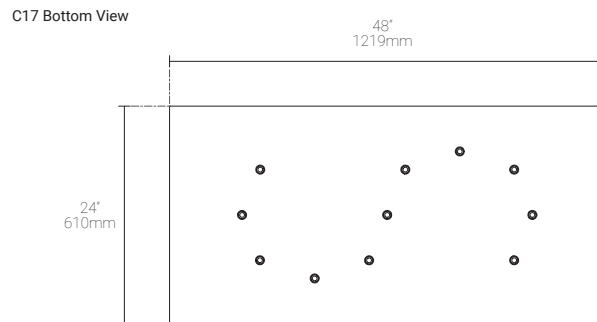
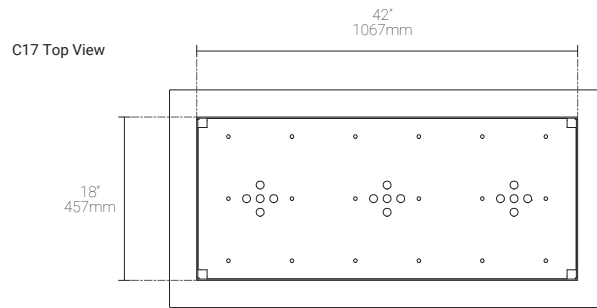
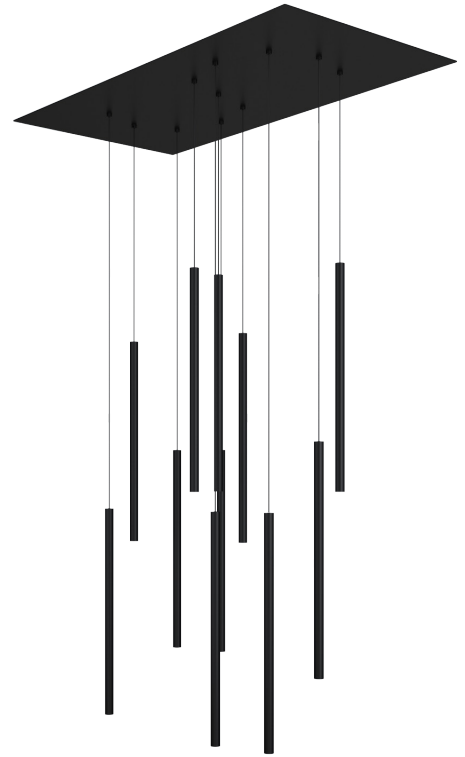
Fixture: Individual L195



Fixture: L642

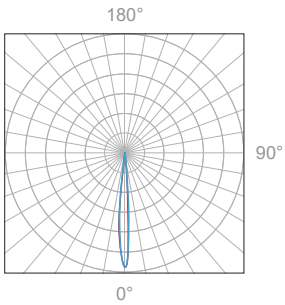


3D View



L195 | 1W, 3000K, 90+ CRI

Polar Candela Distribution



Beam Width: 12°

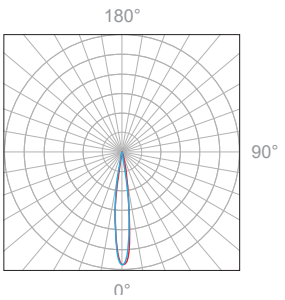


Illuminance at a Distance

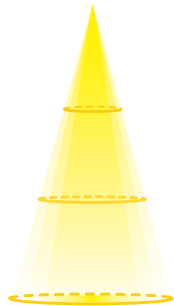
| Distance | | Center Beam fc |
|----------|-------|----------------|
| 1.5ft | 0.46m | 170.7fc |
| 3.0ft | 0.91m | 43.7fc |
| 6.0ft | 1.83m | 10.7fc |
| 9.0ft | 2.74m | 4.9fc |
| 12.0ft | 3.66m | 2.8fc |
| 15.0ft | 4.57m | 1.8fc |

Delivered Lumen: 48.7lm
 ■ Vertical Beam Spread: 19.9°
 ■ Horizontal Beam Spread: 19.9°

Polar Candela Distribution



Beam Width: 30°



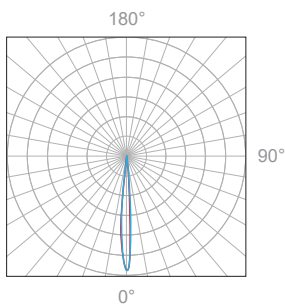
Illuminance at a Distance

| Distance | | Center Beam fc |
|----------|-------|----------------|
| 1.5ft | 0.46m | 106.7fc |
| 3.0ft | 0.91m | 27.7fc |
| 6.0ft | 1.83m | 7.0fc |
| 9.0ft | 2.74m | 3.1fc |
| 12.0ft | 3.66m | 1.8fc |
| 15.0ft | 4.57m | 1.2fc |

Delivered Lumen: 55.9lm
 ■ Vertical Beam Spread: 28.3°
 ■ Horizontal Beam Spread: 28.3°

L195 | 2W, 3000K, 90+ CRI

Polar Candela Distribution



Beam Width: 12°

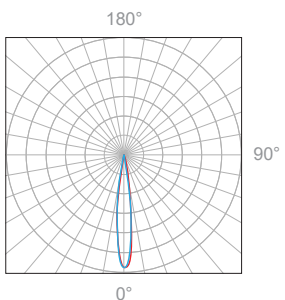


Illuminance at a Distance

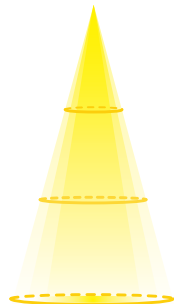
| Distance | | Center Beam fc |
|----------|-------|----------------|
| 1.5ft | 0.46m | 288.1fc |
| 3.0ft | 0.91m | 76.8fc |
| 6.0ft | 1.83m | 19.2fc |
| 9.0ft | 2.74m | 8.5fc |
| 12.0ft | 3.66m | 4.8fc |
| 15.0ft | 4.57m | 3.1fc |

Delivered Lumen: 89.6lm
 ■ Vertical Beam Spread: 19.9°
 ■ Horizontal Beam Spread: 19.9°

Polar Candela Distribution



Beam Width: 30°



Illuminance at a Distance

| Distance | | Center Beam fc |
|----------|-------|----------------|
| 1.5ft | 0.46m | 197.4fc |
| 3.0ft | 0.91m | 50.1fc |
| 6.0ft | 1.83m | 12.8fc |
| 9.0ft | 2.74m | 5.7fc |
| 12.0ft | 3.66m | 3.2fc |
| 15.0ft | 4.57m | 3.1fc |

Delivered Lumen: 98.8lm
 ■ Vertical Beam Spread: 28.3°
 ■ Horizontal Beam Spread: 28.3°

Full Spectrum

— Full Spectrum — Standard Illuminant @ 3000K — Ra≥80

