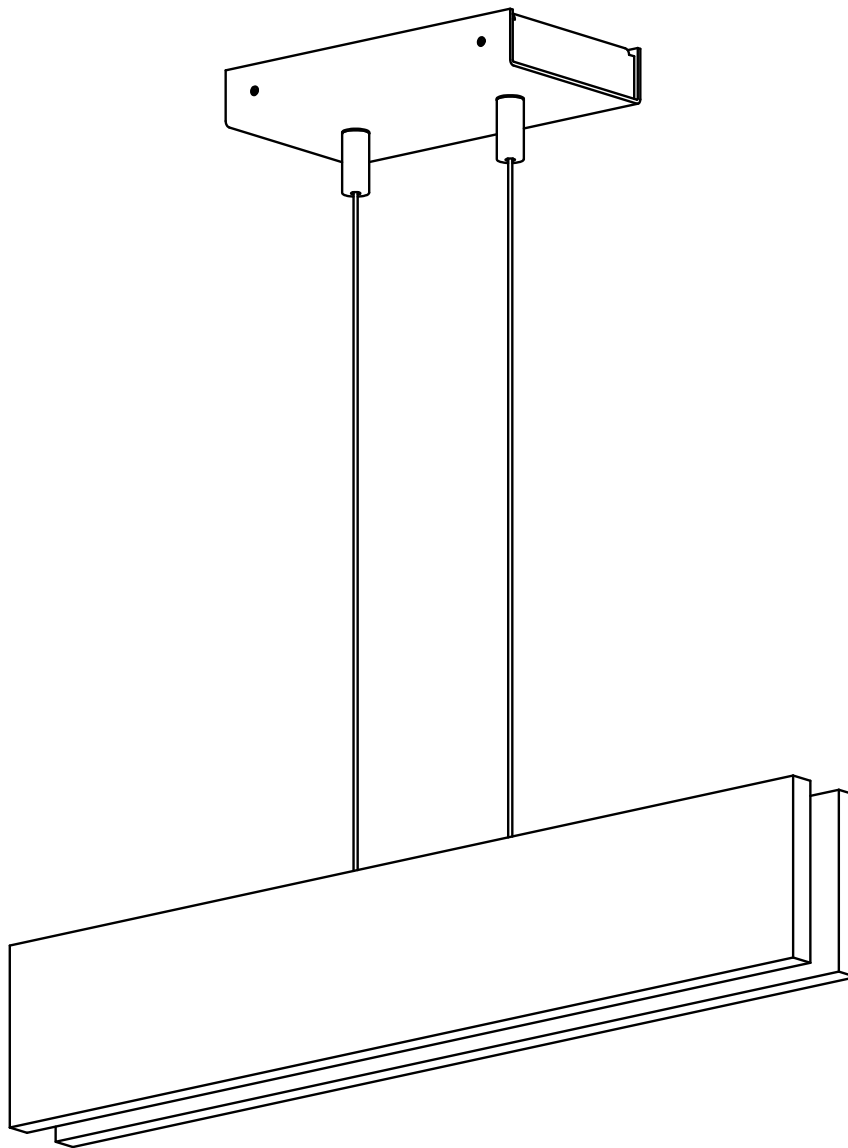


# L650S

*Oak Wooden Linear Pendant*



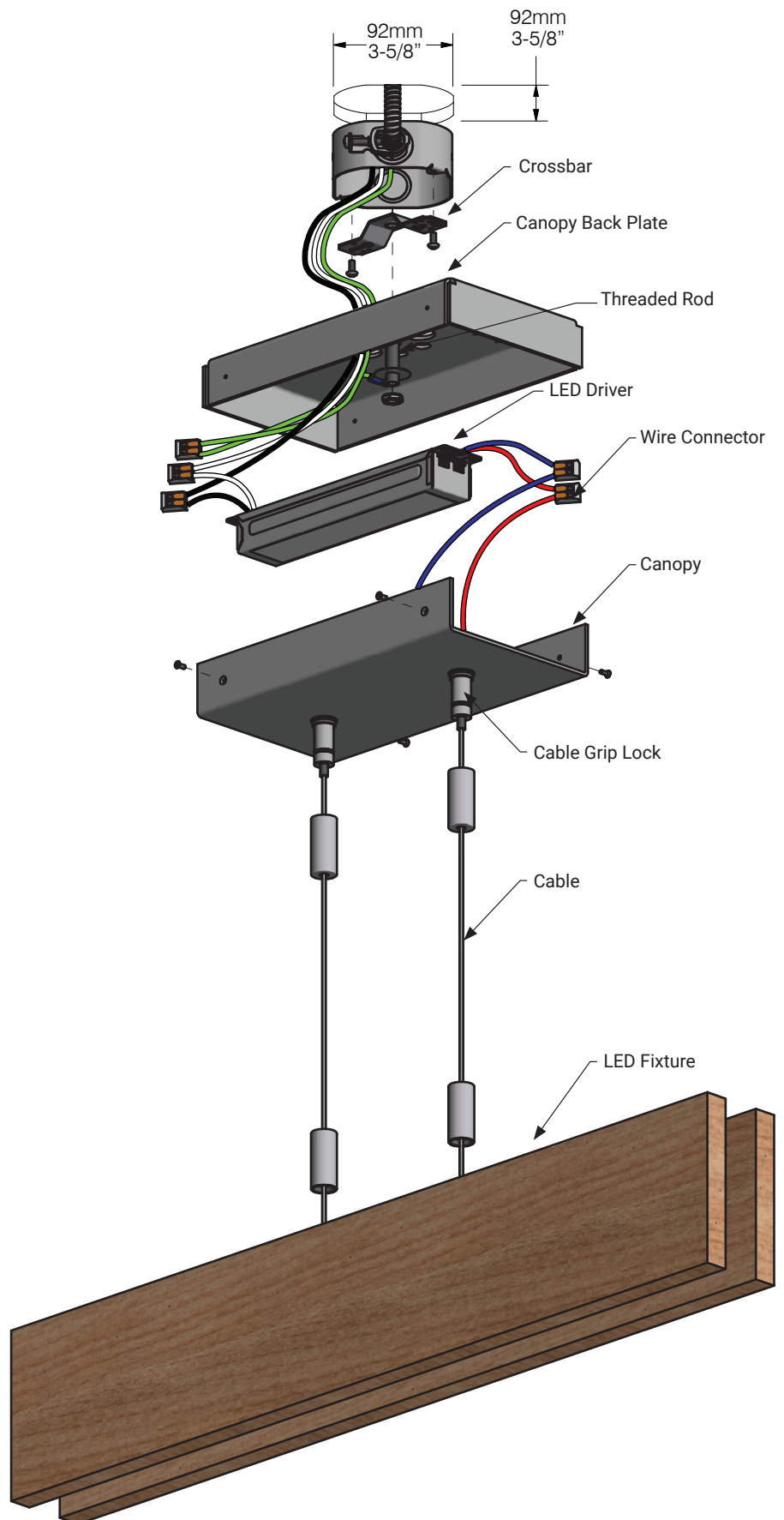
# L650S

## Oak Wooden Linear Pendant

### PARTS

Surface Mount Canopy x 1  
LED Fixture x 1  
Wire nuts (Not Provided)

1. Rough in electrical box and attach conduit. Mount crossbar to electrical box, then mount canopy back plate to crossbar using threaded rod.
2. The power to the driver must be off while wiring LED fixtures to drivers. Connect line voltage to driver input wires using wire connectors, then fit into electrical box. Ensure grounding wires are connected.
3. Mount driver to canopy back plate with screws.
4. Connect fixture leads to box wiring using wire connectors.
5. Secure canopy to canopy back plate by tightening two screws on each side.
6. If required, adjust the length of the cables using the cable grip lock at the top of the canopy. See cable adjustment instructions.



# L650S

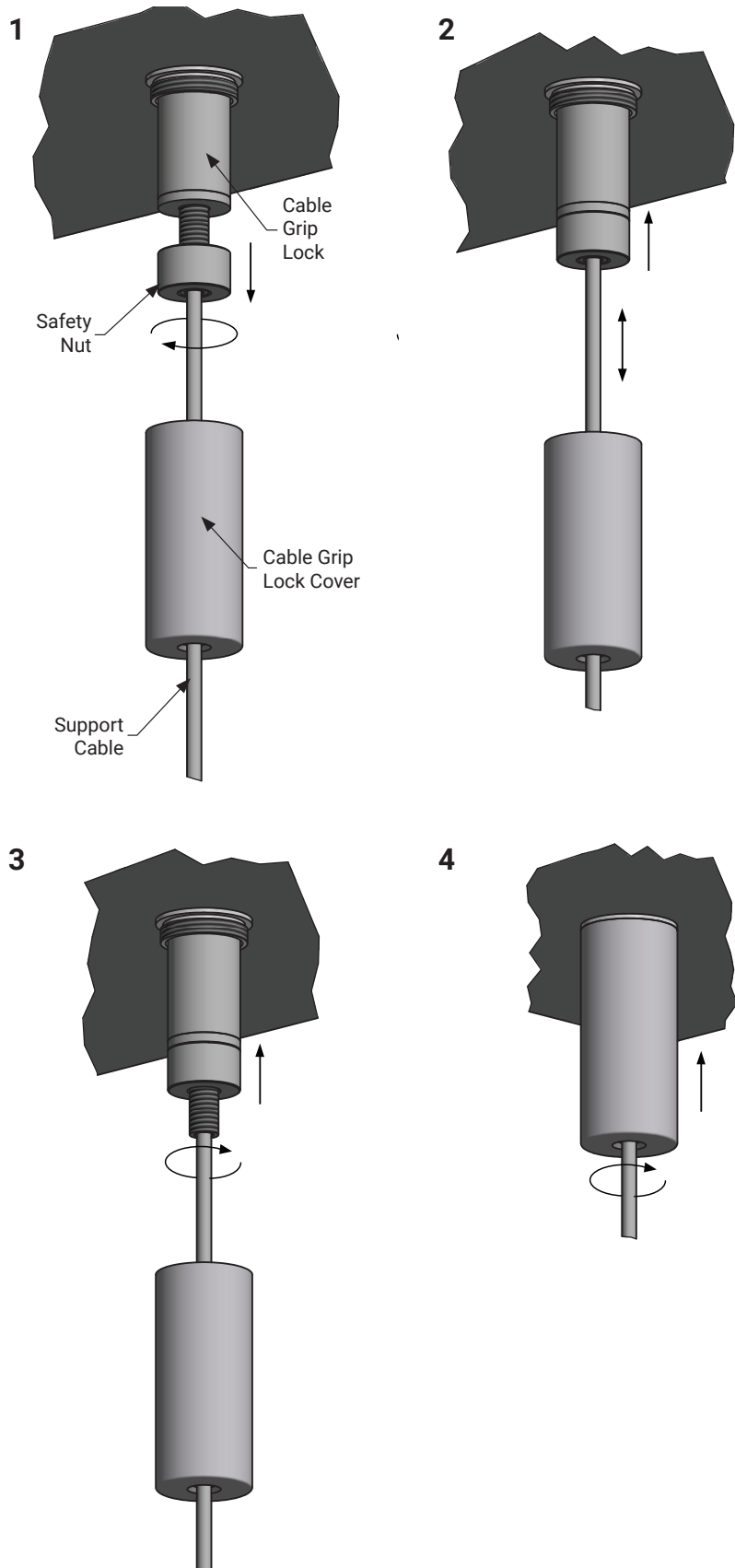
## Cable Adjustment Guide

### PARTS

- Cable Grip Lock x 1
- Safety Nut x 1
- Cable Grip Lock Cover x 1
- Support Cable x 1

1. Remove the outer cover and loosen the safety nut.  
*\* Ensure fixture is supported before adjusting cable.*
2. Push the safety nut towards the gripper to loosen the cable. Adjust cable to desired length. Release nut to secure cable.
3. Secure safety nut, thread cover over the gripper.
4. Insert outer cover onto the griplock.

*\*ENSURE THE CABLE DOES NOT COME IN CONTACT WITH THE LED FIXTURE AND CANOPY.*



## IMPORTANT SAFETY INSTRUCTIONS

KEEP THESE INSTALLATION INSTRUCTIONS

(Including General and Additional Markings for Fixtures)

(FOR MP LIGHTING LED LUMINAIRES, CLASS 3402-xx)

### General and additional markings

1. For Use Only with Certified/NRTL Driver, Model \_\_\_\_\_
2. DRY LOCATIONS ONLY or OUTDOOR USE ONLY or DRY/ OUTDOOR USE ONLY or Outdoor / submersible Use Only - as indicated on fixtures
3. MIN 90 C SUPPLY CONDUCTORS
4. Model L92: SUITABLE FOR MOUNTING WITHIN 1.2 M (4FT) OF THE GROUND
5. Models L01, L03, L04, L05, L06, and L07: SUITABLE FOR USE IN POURED CONCRETE, USE ON CLASS 2 CIRCUIT ONLY
6. Models with Class 2 LED Drivers which are intended for installation for other than Indoor Use Only: CAUTION: CONNECTED ONLY TO A CIRCUIT PROTECTED BY A CLASS A GROUND FAULT CIRCUIT INTERRUPTER

### Installation instructions

1. The grounding installation shall be done in accordance with CEC-Part 1.
2. WARNING: RISK OF FIRE OR ELECTRIC SHOCK: DO NOT MAKE OR ALTER ANY OPENINGS IN THE COMPARTMENT OF WIRING OR ELECTRICAL COMPONENTS DURING INSTALLATION. DO NOT ALTER OR ADD BALLASTS, OR ANY OTHER ELECTRICAL COMPONENTS.
3. INSTALLATION AND USE OF THIS FIXTURE MOUNTING ASSEMBLY REQUIRES A PERSON FAMILIAR WITH THE CONSTRUCTION AND OPERATION OF LUMINAIRE ELECTRICAL SYSTEMS AND THE HAZARD INVOLVED, IF NOT QUALIFIED, DO NOT ATTEMPT INSTALLATION. CONTACT A QUALIFIED ELECTRICIAN.
4. TURN OFF POWER BEFORE INSTALLATION.
5. KEEP THESE INSTALLATION INSTRUCTIONS.

## CONSIGNES DE SÉCURITÉ IMPORTANTES

CONSERVER CES INSTRUCTIONS D'INSTALLATION

(Dont le général et marques supplémentaires pour les appareils)

(Pour les luminaires LED MP D'ÉCLAIRAGE , CLASS 3402 -xx )

### Général et marquages supplémentaires

1. A utiliser uniquement avec Certified / NRTL pilote, modèle \_\_\_\_\_
2. POUR EMPLACEMENTS SECS SEULEMENT ou UTILISATION EXTÉRIEURE SEULEMENT ou SEC / UTILISATION EXTÉRIEURE SEULEMENT ou extérieure / Utilisation submersible seulement - comme indiqué sur les appareils
3. LES FILS D'ALIMENTATION 90 °C MIN
4. Modèle L92: Pour montage moins de 1,2 m (4 pi) DE LA TERRE
5. Modèles L01, L03, L04, L05, L06, L07 et: utilisables dans le béton coulé, UTILISATION DE CLASSE 2 CIRCUIT UNIQUEMENT
6. ATTENTION: CONNECTED UNIQUEMENT À UN CIRCUIT PROTÉGÉ PAR UN DISJONCTEUR DIFFÉRENTIEL DE CLASS A

### Les instructions d'installation

1. L'installation de mise à la terre doit être fait en conformité avec CEC Partie 1.
2. AVERTISSEMENT : RISQUE D'INCENDIE OU D'ÉLECTROCUTION: NE PAS FAIRE OU MODIFIER DES OUVERTURES DANS LE COMPARTIMENT DE CÂBLAGE OU DE COMPOSANTS ÉLECTRIQUES LORS DE L'INSTALLATION. NE PAS MODIFIER OU AJOUTER DES BALLASTS, OU AUTRES COMPOSANTS ÉLECTRIQUES
3. CE PRODUIT DOIT ÊTRE INSTALLÉ SELON LE CODE D'INSTALLATION PERTINENT, PAR UNE PERSONNE QUI CONNAÎT BIEN LE PRODUIT ET SON FONCTIONNEMENT AINSI QUE LES RISQUES INHÉRENTS. CONSULTER UN ÉLECTRICIEN QUALIFIÉ.
4. COUPER LE COURANT AVANT L'INSTALLATION.
5. CONSERVEZ CES INSTRUCTIONS.