

L652

INTERIOR

Wall-mount | Up & downlight made from solid white oak wood

- Dry location



Ordering Information

Clear Form

Date : _____

Quantity : _____

Project : _____

Note : _____

Type : _____

Specifications

Luminaire | Example Code: L652-8-W30H-W-WO-I

Product	Version	CCT & CRI ¹	Beam Angle	Material (Wood)	Finish ³ (optional)
L652	8		W	WO	
	8 8W	W27H 2700K 90+ W30H 3000K 90+	W wide flood 120°	WO white oak	I intumescent fire retardant coating

System Components (Ordered Separately)

Remote Driver : _____

* Consult MP Lighting Website or Factory.

Important Notes

Specifications

1. Refer to pg.2 - for Light quality and colour consistency details.
2. Intumescent fire retardant coating applied to pendant against high humidity and other potentially harsh environmental conditions.

Warranty Notes & Disclaimer

Malfunction and damage to product due to incompatible dimming system or misuse will not be covered under warranty. Consult MP Lighting for recommended drivers. If the fixture has an option to be installed with a dimming control system, consult a dimming system manufacturer with minimum load before installing. MP Lighting reserves the right, at its sole discretion, at any time and without notice, to make design changes to any of our products. Consult MP Lighting website for most updated documentation.

L652

INTERIOR

Wall-mount | Up & downlight made from solid white oak wood

- Dry location



Performance (Up & Downlight together)

Wattage	Forward Current	Power Consumption Budget per fixture (including driver)	LED output (Source)	Fixture Output (Delivered)
8W	700mA	9W	880 lm	315 lm

Application

Environment	Dry Location approved. IP 20.
Mounting	Crossbar onto electric box and then mount wall sconce to the crossbar by hooking and tightening the m4 set screws with allen key.

Electrical

Wattage	Uplight: 4W Downlight: 4W
Power Supplies	Remote LED drivers (120-277V AC input, constant current output): Fixtures to be wired in series. Remote LED drivers (100-277V AC input, constant voltage output): Fixtures to be wired in parallel.
Control	On/off control Dimming(consult factory): ELV or 0-10V dimming with appropriate drivers Other options (consult factory): TRIAC/MLV, DMX, DALI, Casambi, Power over Ethernet

Luminaire Construction

LED Light Source	W27H = CCT: 2700K, CRI (Ra): 90+, Colour Consistency: 2SDCM W30H = CCT: 3000K, CRI (Ra): 90+, Colour Consistency: 2SDCM
Standard Compliance	✓ADA-compliant ✓WELL standard – Feature 58: Color Quality
Weight	N/A
Material	Fixture (exterior): white oak
Supplied with	Standard installation housing: Universal crossbar, set screw, and allen key. (Screws required, supplied by others)
Warranty & LED Life	5 years limited warranty Estimated useful life of LED is 50,000 hours.

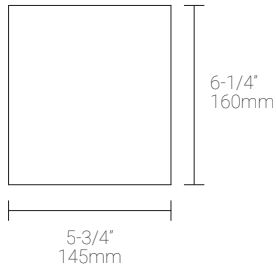
Ordered Separately

System Components	Power supplies: remote driver Please consult factory or visit Recommended Drivers for available driver options.
-------------------	---

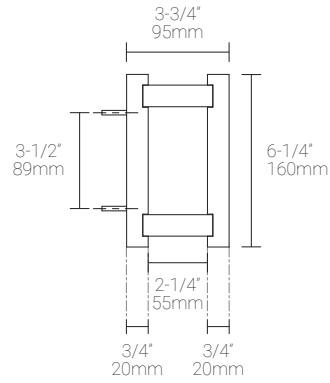
Mounting Options & Dimensions

LED Insert Dimensions

Fixture



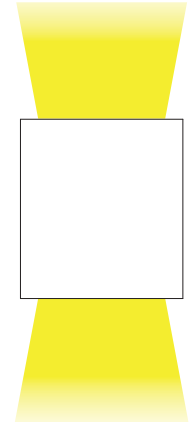
Side View



3D View

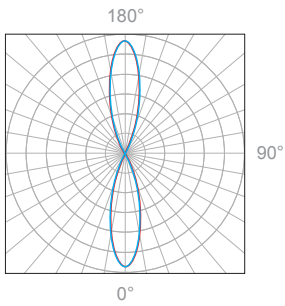


Beam

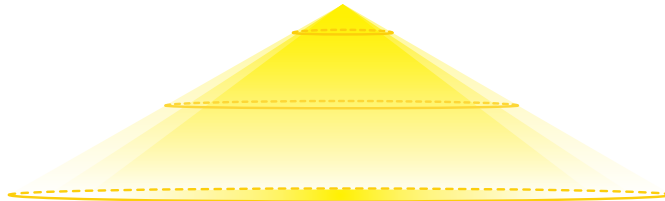


8W (4W up & down each), 2700K, 90+ CRI

Polar Candela Distribution



Beam Angle



Illuminance at a Distance (Each side)

Distance		Center Beam fc
3.0ft	0.91m	8.9fc
6.0ft	1.83m	2.4fc
9.0ft	2.74m	1.1fc
12.0ft	3.66m	0.8fc
15.0ft	4.57m	0.56fc
18.0ft	5.49m	0.48fc

Delivered Lumen: 315lm
■ Vertical Beam Spread: 30.2°
■ Horizontal Beam Spread: 30.2°