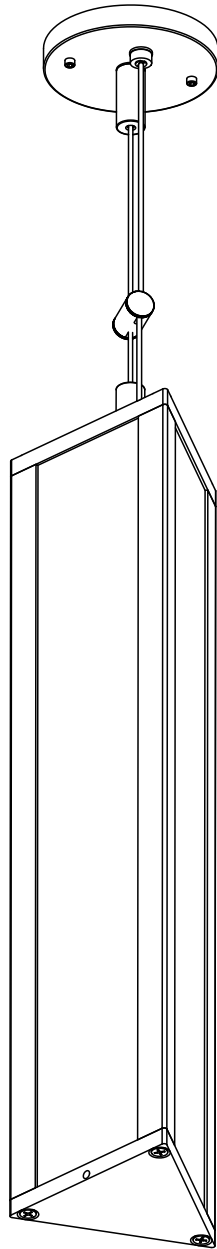


L665C9

Pedant



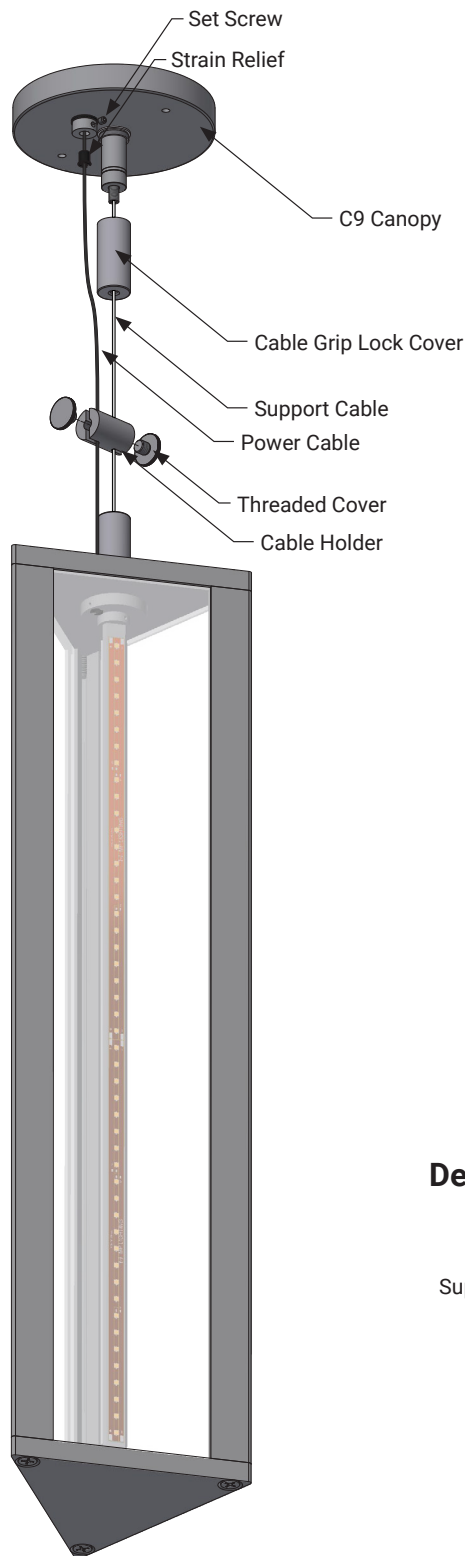
L665C9

Pedant-Canopy Assembly

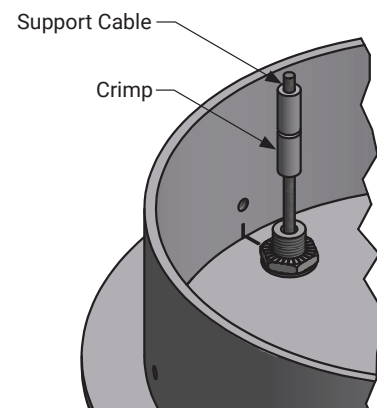
PARTS

Pedant x 1
C9 Canopy x 1
Support Cable x 1
Power Cable x 1
Cable Holder x 1
Crimp
Crimping tool

1. Measure and cut the support cable and power cable to the desired length before assembling.
2. Insert the support cable into the grip lock.
**Refer to Cable Adjustment*
3. Insert the power cable with the strain relief into the power adapter and tighten the set screw.
4. Secure the support cable using 2 crimps on each end for safety anchor after final adjustment.
5. Feed the support cable and power cable into the slots of the cable holder.
6. Position the height of the cable holder to be at least 3" (72mm) above the top of the pedant.
7. Secure cables using the threaded cover on both sides.



Detail of Safety Crimp



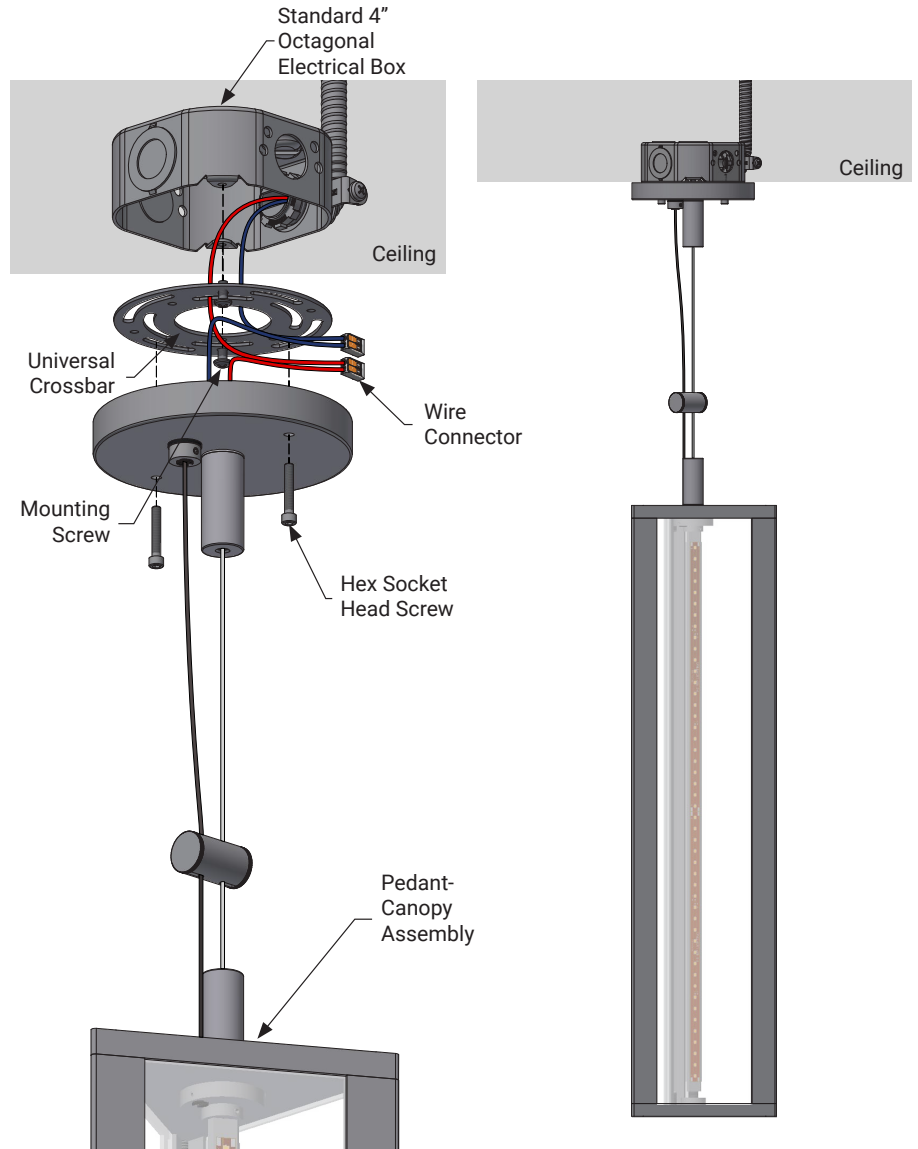
L665C9

Fixture Mounting

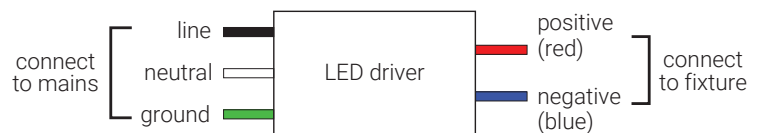
PARTS

Pedant-Canopy Assembly x 1
 Hex Socket Head Screws x 2
 Universal Crossbar x 1
 Wire Connectors x 2
 Mounting Screws – Not Included
 Electrical Box – Not Included
 Conduit Connector – Not Included

1. Connect fixture leads to remote driver using supplied wire connectors.
**Power must be off before connecting driver.*
2. Align universal crossbar to electrical box and attach with mounting screws.
3. Mount C9 Canopy to universal crossbar with the hex socket head screws.



Finished View



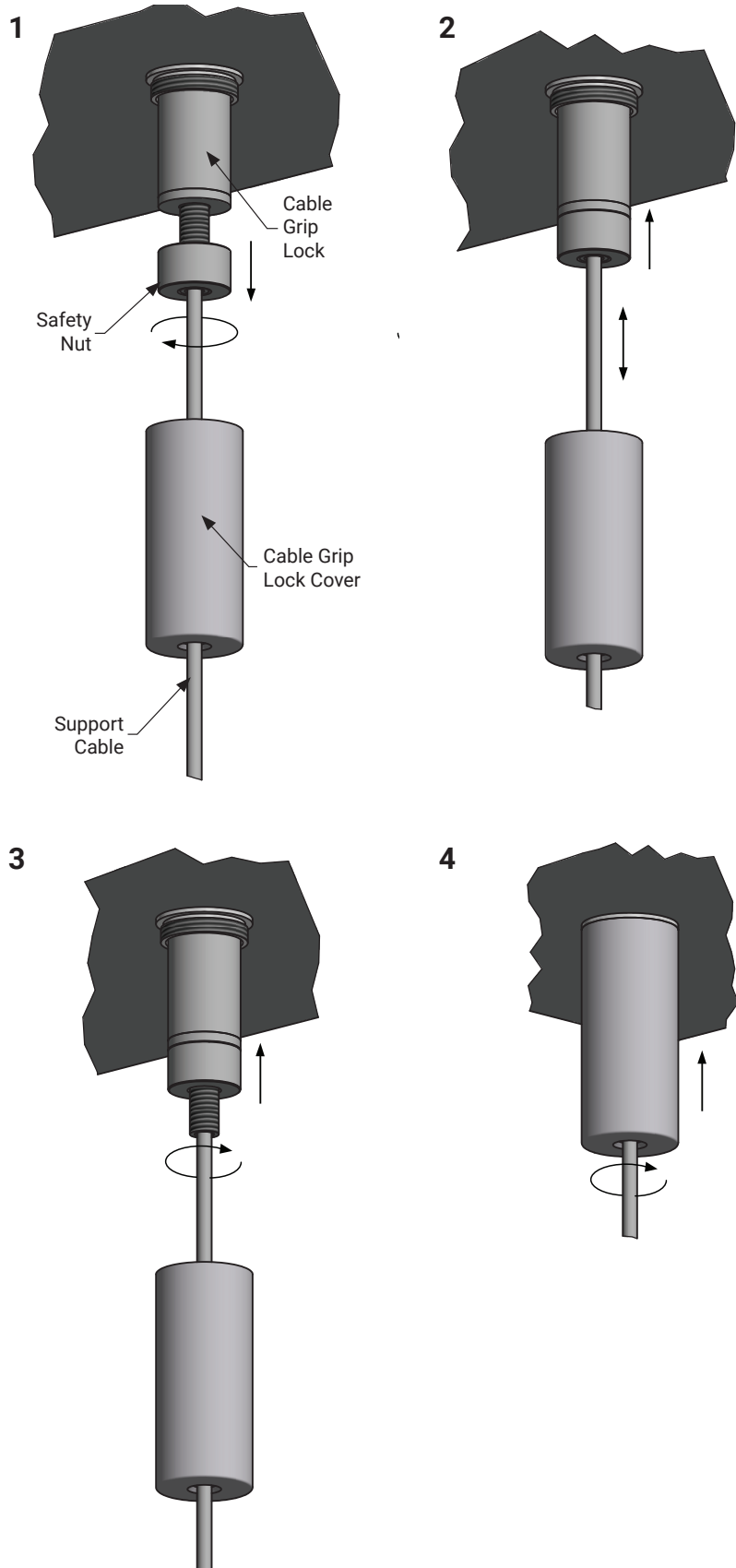
L665C9

Cable Adjustment Guide

PARTS

- Cable Grip Lock x 1
- Safety Nut x 1
- Cable Grip Lock Cover x 1
- Support Cable x 1

1. Remove the outer cover and loosen the safety nut.
** Ensure fixture is supported before adjusting cable.*
2. Push the safety nut towards the gripper to loosen the cable. Adjust cable to desired length. Release nut to secure cable.
3. Secure safety nut, thread cover over the gripper.
4. Insert outer cover onto the griplock.



IMPORTANT SAFETY INSTRUCTIONS

KEEP THESE INSTALLATION INSTRUCTIONS

(Including General and Additional Markings for Fixtures)

(FOR MP LIGHTING LED LUMINAIRES, CLASS 3402-xx)

General and additional markings

1. For Use Only with Certified/NRTL Driver, Model _____
2. DRY LOCATIONS ONLY or OUTDOOR USE ONLY or DRY/ OUTDOOR USE ONLY or Outdoor / submersible Use Only - as indicated on fixtures
3. MIN 90 C SUPPLY CONDUCTORS
4. Model L92: SUITABLE FOR MOUNTING WITHIN 1.2 M (4FT) OF THE GROUND
5. Models L01, L03, L04, L05, L06, and L07: SUITABLE FOR USE IN POURED CONCRETE, USE ON CLASS 2 CIRCUIT ONLY
6. Models with Class 2 LED Drivers which are intended for installation for other than Indoor Use Only: CAUTION: CONNECTED ONLY TO A CIRCUIT PROTECTED BY A CLASS A GROUND FAULT CIRCUIT INTERRUPTER

Installation instructions

1. The grounding installation shall be done in accordance with CEC-Part 1.
2. WARNING: RISK OF FIRE OR ELECTRIC SHOCK: DO NOT MAKE OR ALTER ANY OPENINGS IN THE COMPARTMENT OF WIRING OR ELECTRICAL COMPONENTS DURING INSTALLATION. DO NOT ALTER OR ADD BALLASTS, OR ANY OTHER ELECTRICAL COMPONENTS.
3. INSTALLATION AND USE OF THIS FIXTURE MOUNTING ASSEMBLY REQUIRES A PERSON FAMILIAR WITH THE CONSTRUCTION AND OPERATION OF LUMINAIRE ELECTRICAL SYSTEMS AND THE HAZARD INVOLVED, IF NOT QUALIFIED, DO NOT ATTEMPT INSTALLATION. CONTACT A QUALIFIED ELECTRICIAN.
4. TURN OFF POWER BEFORE INSTALLATION.
5. KEEP THESE INSTALLATION INSTRUCTIONS.

CONSIGNES DE SÉCURITÉ IMPORTANTES

CONSERVER CES INSTRUCTIONS D'INSTALLATION

(Dont le général et marques supplémentaires pour les appareils)

(Pour les luminaires LED MP D'ÉCLAIRAGE , CLASS 3402 -xx)

Général et marquages supplémentaires

1. A utiliser uniquement avec Certified / NRTL pilote, modèle _____
2. POUR EMPLACEMENTS SECS SEULEMENT ou UTILISATION EXTÉRIEURE SEULEMENT ou SEC / UTILISATION EXTÉRIEURE SEULEMENT ou extérieure / Utilisation submersible seulement - comme indiqué sur les appareils
3. LES FILS D'ALIMENTATION 90 °C MIN
4. Modèle L92: Pour montage moins de 1,2 m (4 pi) DE LA TERRE
5. Modèles L01, L03, L04, L05, L06, L07 et: utilisables dans le béton coulé, UTILISATION DE CLASSE 2 CIRCUIT UNIQUEMENT
6. ATTENTION: CONNECTED UNIQUEMENT À UN CIRCUIT PROTÉGÉ PAR UN DISJONCTEUR DIFFÉRENTIEL DE CLASS A

Les instructions d'installation

1. L'installation de mise à la terre doit être fait en conformité avec CEC Partie 1.
2. AVERTISSEMENT : RISQUE D'INCENDIE OU D'ÉLECTROCUTION: NE PAS FAIRE OU MODIFIER DES OUVERTURES DANS LE COMPARTIMENT DE CÂBLAGE OU DE COMPOSANTS ÉLECTRIQUES LORS DE L'INSTALLATION. NE PAS MODIFIER OU AJOUTER DES BALLASTS, OU AUTRES COMPOSANTS ÉLECTRIQUES
3. CE PRODUIT DOIT ÊTRE INSTALLÉ SELON LE CODE D'INSTALLATION PERTINENT, PAR UNE PERSONNE QUI CONNAÎT BIEN LE PRODUIT ET SON FONCTIONNEMENT AINSI QUE LES RISQUES INHÉRENTS. CONSULTER UN ÉLECTRICIEN QUALIFIÉ.
4. COUPER LE COURANT AVANT L'INSTALLATION.
5. CONSERVEZ CES INSTRUCTIONS.