

L741

EXTERIOR | INTERIOR

Round steplight with photocell | For walls, stairs, walkways, signs and unit numbers

● Wet, Damp, and Dry location ● Photocell



Ordering Information

Clear Form

Date : _____ Quantity : _____

Project : _____ Note : _____

Type : _____

Specifications

Luminaire | Example Code: L741-3-W30H-1-MK1-MA

Product	Wattage	CCT & CRI	Integral Driver	Mounting Kit ¹ (optional)	Finish ²
L741	3 3W 6 6W	Standard (80+) CRI: W22S 2200K 80+ W27S 2700K 80+ W30S 3000K 80+ W35S 3500K 80+ W41S 4100K 80+ High (90+) CRI: W27H 2700K 90+ W30H 3000K 90+ W35H 3500K 90+	1 120V AC input, non-dimmable 2 120-277V AC input, non-dimmable	MK1 vertical surface	Aluminum Finishes: MA matte clear anodized BA black anodized WH white powder coat BZ bronze

System Components (Ordered Separately)

Remote Driver : _____

* Consult MP Lighting Website or Factory.

Important Notes

Specifications

1. Mounting kit is ordered separately (consult factory). Back box must also be purchased with MK1 kit.
2. Refer to Appendix or MP Lighting website for complete look of luminaire with different finish options.

Warranty Notes & Disclaimer

Malfunction and damage to product due to incompatible dimming system or misuse will not be covered under warranty. Consult MP Lighting for recommended drivers. If the fixture has an option to be installed with a dimming control system, consult a dimming system manufacturer with minimum load before installing. MP Lighting reserves the right, at its sole discretion, at any time and without notice, to make design changes to any of our products. Consult MP Lighting website for most updated documentation.

L741

EXTERIOR | INTERIOR

Round steplight with photocell | For walls, stairs, walkways, signs and unit numbers

● Wet, Damp, and Dry location ● Photocell



Performance

Wattage	Forward Current	Power Consumption Budget per fixture (including driver)	LED output (Source)	Fixture Output (Delivered)
3W	350mA	4W	330 lm	35 lm
6W	700mA	8W	660 lm	56 lm

Application

Environment	Dry / Damp / Wet Location approved. IP 66.
Mounting	Mounts to vertical oriented single gang box (not included). Box opening: Width 2-3/8" (60.33mm) X Height 2" (50.8mm) MK1 mounting kit (optional): Recommended for easy installation on vertical surfaces (e.g. stair risers, walls). See "Mounting Options & Dimensions," or visit MK1

Electrical

Power Supplies	Non-dimmable integral driver included (as specified). Compatible with remote driver for wet locations (not included).
Control	On/off control Other options (consult factory): TRIAC/MLV, DMX, DALI, Casambi, Power over Ethernet

Luminaire Construction

LED Light Source	W22S = CCT: 2200K, CRI (Ra): 80+, Colour Consistency: 3SDCM W27S = CCT: 2700K, CRI (Ra): 80+, Colour Consistency: 3SDCM W30S = CCT: 3000K, CRI (Ra): 80+, Colour Consistency: 3SDCM W35S = CCT: 3500K, CRI (Ra): 80+, Colour Consistency: 3SDCM W41S = CCT: 4100K, CRI (Ra): 80+, Colour Consistency: 3SDCM W27H = CCT: 2700K, CRI (Ra): 90+, Colour Consistency: 2SDCM W30H = CCT: 3000K, CRI (Ra): 90+, Colour Consistency: 2SDCM W35H = CCT: 3500K, CRI (Ra): 90+, Colour Consistency: 2SDCM
Standard Compliance	✓ADA-compliant ✓WELL standard – Feature 58: Color Quality
Weight	1.5 lbs (0.68 kg). Typical Aluminum Fixture.
Material	Fixture: machined marine-grade aluminum with tempered glass
Supplied with	Driver: Non-dimmable integral driver included.
Warranty & LED Life	5 years limited warranty Estimated useful life of LED is 50,000 hours.

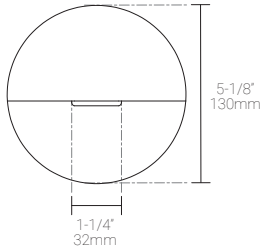
Ordered Separately

System Components	Power supplies: alternate remote driver Please consult factory or visit Recommended Drivers for available driver options. Mounting kit: MK1 & Back box Single gang boxes: See Pg.3- Mounting Options & Dimensions.
-------------------	--

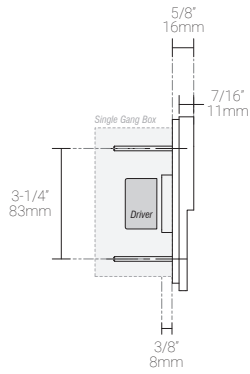
Mounting Options & Dimensions

LED Fixture Dimensions

Fixture



Side View



3D View

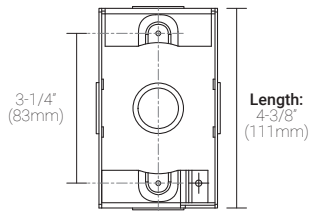


Custom Rectangular Back Box for Wall Installation

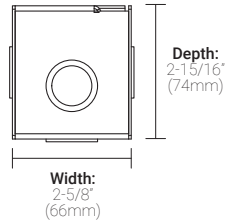
1. For wall installation, custom rectangular electrical boxes are available as alternative options.

MP Lighting Single Gang Back Box | Order Code: EBX-SGB1

Top View

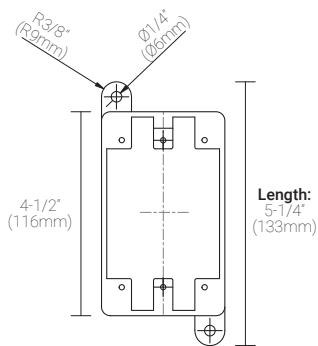


Side View

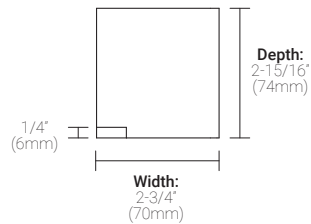


Scepter FD Back box | Order Code: EBX-SFD

Top View

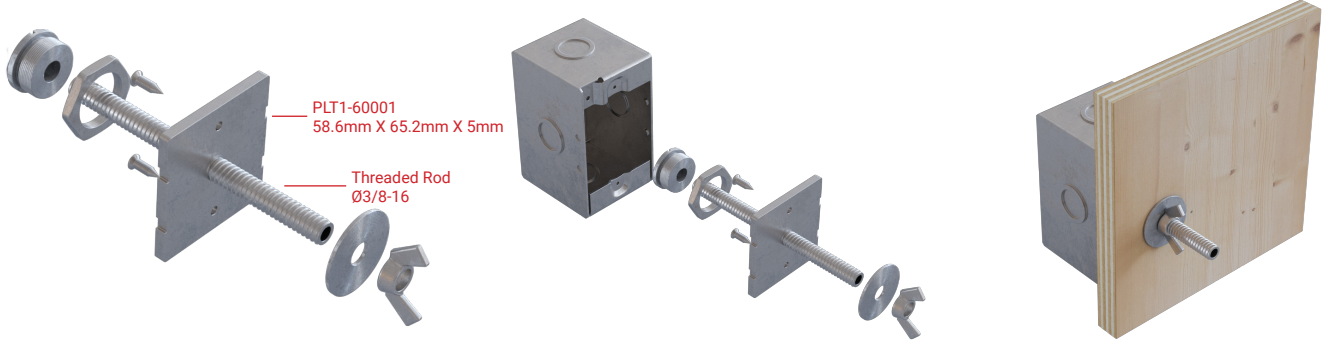


Side View



MK1 | For walls and stairs

Mounting Kit Exploding Views * Back box not included



MK1-SGB1

MK1-SGB1 shown with EBX-SGB1

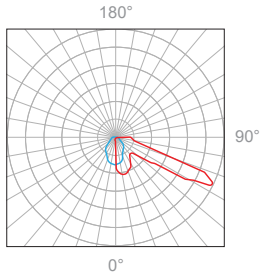
MK1-SGB1 shown with EBX-SGB1 and Plywood Form

Wall-mount Plywood Form Installation (shown with L47)

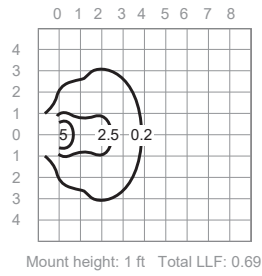


3W, 3000K, 90+ CRI

Polar Candela Distribution



Isofootcandle Plot



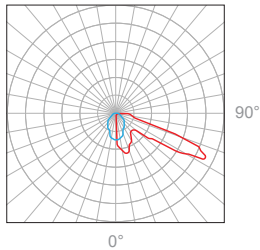
Illuminance at a Distance

Distance		Center Beam fc	Beam Width			
1.5ft	0.45m	7.15fc	3.5ft	1.06m	0.4ft	0.12m
3.0ft	0.91m	1.79fc	7.1ft	2.16m	0.9ft	0.27m
4.5ft	1.37m	0.79fc	10.6ft	3.23m	1.3ft	0.39m
6.0ft	1.82m	0.45fc	14.1ft	4.29m	1.7ft	0.51m

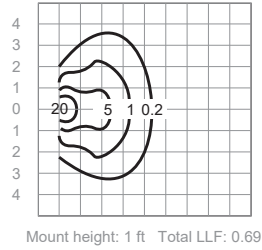
Delivered Lumens: 54.7lm
 ■ Vertical Beam Spread: 99.3°
 ■ Horizontal Beam Spread: 16.5°

6W, 3000K, 90+ CRI

Polar Candela Distribution



Isofootcandle Plot



Illuminance at a Distance

Distance		Center Beam fc	Beam Width			
1.5ft	0.45m	12.9fc	3.6ft	1.09m	0.4ft	0.12m
3.0ft	0.91m	3.22fc	7.1ft	2.16m	0.4ft	0.27m
4.5ft	1.37m	1.43fc	10.7ft	3.26m	1.3ft	0.39m
6.0ft	1.82m	0.80fc	14.2ft	4.32m	1.8ft	0.54m

Delivered Lumens: 91.6lm
 ■ Vertical Beam Spread: 99.7°
 ■ Horizontal Beam Spread: 16.9°

Appendix

Aluminum Finishes



MA matte clear anodized



BA black anodized



BZ bronze



WH white powder coat