

L755

INTERIOR

Wall-mount | For walls, stairs, and ceilings

- Dry location



Ordering Information

Clear Form

Date : _____ Quantity : _____

Project : _____ Note : _____

Type : _____

Specifications

Luminaire | Example Code: L755-2-W30H-F-S6

Product	Wattage	CCT & CRI ¹	Lens	Trim Finish
L755			F	S6
	1 1W 2 2W	W22S 2200K 80+ W27H 2700K 90+ W30H 3000K 90+ W35H 3500K 90+ W41H 4100K 90+	F frosted	Aluminum Finish: MA matte clear anodized BK black powder coated Stainless Steel Finish: S6 stainless steel 316

System Components (Ordered Separately)

Remote Driver : _____

* Consult MP Lighting Website or Factory.

Important Notes

Specification

1. Consult MP factory for Colour LED options.

Warranty Notes & Disclaimer

Malfunction and damage to product due to incompatible dimming system or misuse will not be covered under warranty. Consult MP Lighting for recommended drivers. If the fixture has an option to be installed with a dimming control system, consult a dimming system manufacturer with minimum load before installing. MP Lighting reserves the right, at its sole discretion, at any time and without notice, to make design changes to any of our products. Consult MP Lighting website for most updated documentation.

L755

INTERIOR

Wall-mount | For walls, stairs, and ceilings

- Dry location



Performance

Wattage	Forward Current	Power Consumption Budget per fixture (including driver)	LED output (Source)	Fixture Output (Delivered)
1W	350mA	1.3W	110 lm	11.4 lm
2W	700mA	2.6W	220 lm	22.6 lm

Application

Environment	Dry Location approved. IP 52.
Mounting	Recessed mount with coil spring clip. Mounts directly to cabinet millwork, drywall, ceiling tiles, etc.

Electrical

Power Supplies	Remote LED drivers (120-277V AC input, constant current output): Fixtures to be wired in series.
Control	On/off control Dimming (consult factory): ELV or 0-10V dimming with appropriate drivers. Other options (consult factory): TRIAC/MLV, DMX, DALI, Casambi, Power over Ethernet.

Luminaire Construction

LED Light Source	W22S = CCT: 2200K, CRI (Ra): 80+, Colour Consistency: 3SDCM W27H = CCT: 2700K, CRI (Ra): 90+, Colour Consistency: 2SDCM W30H = CCT: 3000K, CRI (Ra): 90+, Colour Consistency: 2SDCM W35H = CCT: 3500K, CRI (Ra): 90+, Colour Consistency: 2SDCM W41H = CCT: 4100K, CRI (Ra): 90+, Colour Consistency: 3SDCM
Standard Compliance	✓ADA-compliant ✓WELL standard – Feature 58: Color Quality
Weight	0.1kg (0.22lbs).
Material	Fixture: Stainless steel (316) with polycarbonate lens, RoHS compliant.
Supplied with	Standard installation housing: Coil spring clips X 2. Cable: 2' (610mm) factory-installed wire lead .
Warranty & LED Life	5 years limited warranty. Estimated useful life of LED is 50,000 hours.

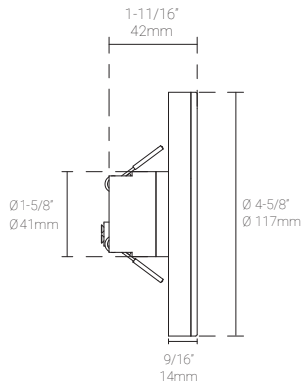
Ordered Separately

System Components	Power Supplies: remote driver. Please consult factory or visit Recommended Drivers for available driver options.
-------------------	--

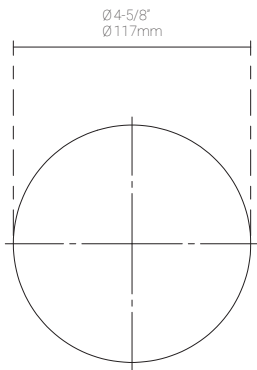
Mounting Options & Dimensions

LED Insert Dimensions

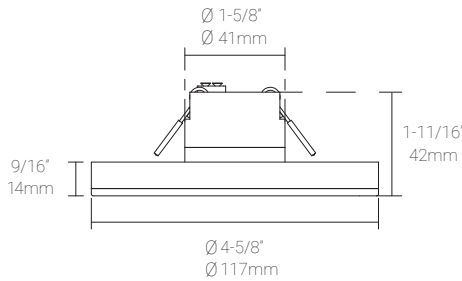
Fixture



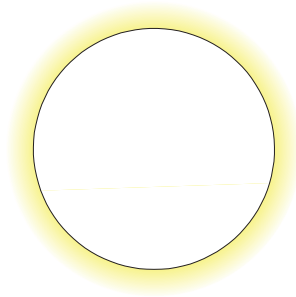
Front View



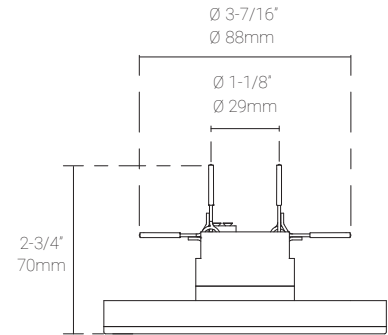
Fixture: Spring Clips (closed)



Beam



Fixture: Spring Clips (open)



3D View

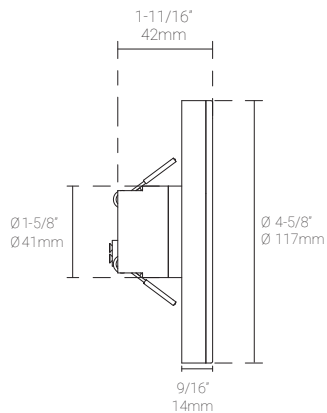


3D View (Back)



Wall Installation | shown with coil spring clips

Fixture

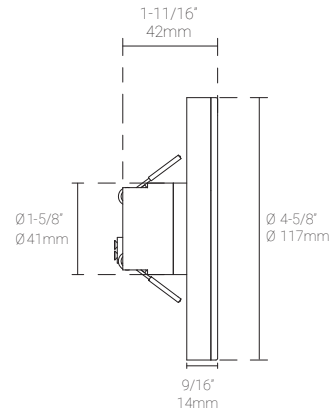


Fixture installed with coil spring clips.



Ceiling Installation | shown with coil spring clips

Fixture

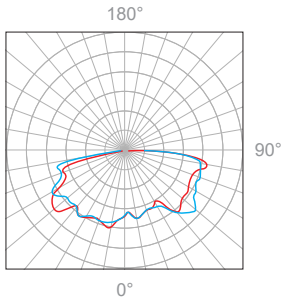


Fixture installed with coil spring clips.



1W, 3000K, 90+ CRI

Polar Candela Distribution



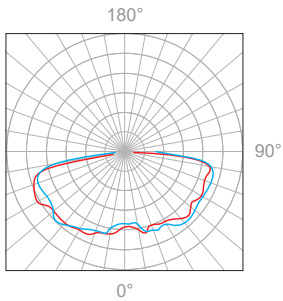
Illuminance at a Distance

Distance		Center Beam fc	Beam Width			
1.5ft	0.46m	0.72fc	10.2ft	3.1m	21.6ft	6.6m
3.0ft	0.91m	0.18fc	20.4ft	6.2m	43.1ft	13.1m
4.5ft	1.37m	0.08fc	30.7ft	9.3m	64.7ft	19.7m
6.0ft	1.83m	0.04fc	40.9ft	12.4m	86.3ft	26.3m
7.5ft	2.29m	0.03fc	51.1ft	15.6m	107.9ft	32.9m
9.0ft	2.74m	0.02fc	61.3ft	18.7m	129.4ft	39.4m

Delivered Lumen: 11.4lm
 ■ Vertical Beam Spread: 147.3°
 ■ Horizontal Beam Spread: 164.2°

2W, 3000K, 90+ CRI

Polar Candela Distribution



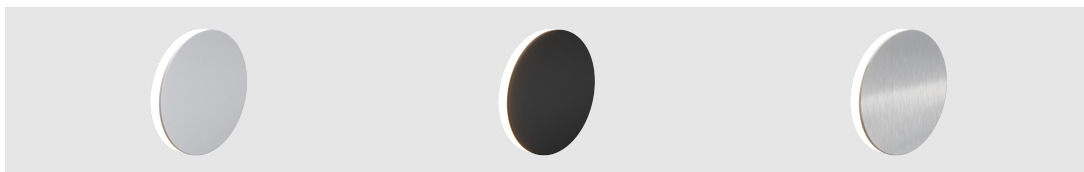
Illuminance at a Distance

Distance		Center Beam fc	Beam Width			
1.5ft	0.46m	1.43fc	9.6ft	2.9m	21.2ft	6.4m
3.0ft	0.91m	0.36fc	19.1ft	5.8m	42.4ft	13.1m
4.5ft	1.37m	0.16fc	28.7ft	8.7m	63.6ft	19.7m
6.0ft	1.83m	0.09fc	38.3ft	11.6m	84.7ft	26.3m
7.5ft	2.29m	0.06fc	47.9ft	14.6m	105.9ft	32.9m
9.0ft	2.74m	0.04fc	57.4ft	17.5m	127.1ft	39.4m

Delivered Lumen: 22.6lm
 ■ Vertical Beam Spread: 145.2°
 ■ Horizontal Beam Spread: 163.9°

Appendix

Aluminum Finishes



MA matte clear anodized

BK black powder coated

S6 stainless steel (316)