

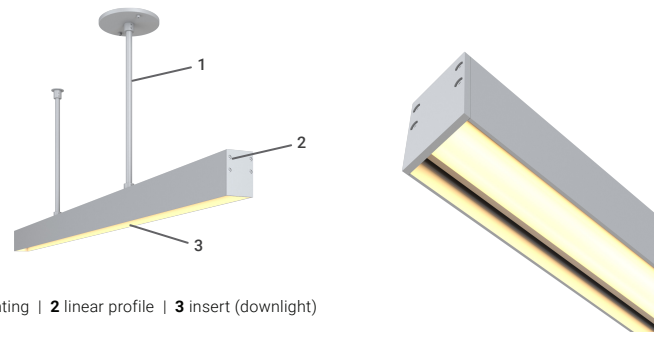


# L800 series | L802-I107

## INTERIOR

Linear | Linear beam series with different insert options

- Dry location



1 mounting | 2 linear profile | 3 insert (downlight)

### Performance

Insert	Wattage	Forward Current	Power Consumption Budget per fixture (including driver)	LED output (Source)	Fixture Output (Delivered)
I107	7W/ft	300mA	8W/ft	770 lm/ft	352-434 lm/ft
I107	10W/ft	420mA	11.5W/ft	1100 lm/ft	496-637 lm/ft

### Application

Environment	Dry Location approved. IP 50.
Mounting	<b>Surface-mounted:</b> Mounts directly to surface or recessed mount with mounting screws (supplied by others). <b>Suspension-mounted:</b> Suspended from ceiling with a stand off and a canopy (both ordered separately).

### Electrical

Power Supplies	<b>Remote LED drivers</b> (120-277V AC input, constant voltage output): Fixtures to be wired in parallel. <b>Recommended drivers (consult factory):</b> TLDAV100W24V04iB or TLDAV100W24V05iB.
Control	<b>On/off control:</b> Touch Switch or Occupancy Sensor. <b>Dimming:</b> ELV or 0-10V dimming with appropriate drivers. <b>Other options (consult factory):</b> TRIAC/MLV, DMX, DALI, Casambi, Power over Ethernet.

### Luminaire Construction

LED Light Source	<b>W22S</b> = CCT: 2200K, CRI (Ra): 80+, Colour Consistency: 3SDCM <b>W27H</b> = CCT: 2700K, CRI (Ra): 90+, Colour Consistency: 3SDCM <b>W30H</b> = CCT: 3000K, CRI (Ra): 90+, Colour Consistency: 3SDCM <b>W35H</b> = CCT: 3500K, CRI (Ra): 90+, Colour Consistency: 3SDCM <b>W41H</b> = CCT: 4100K, CRI (Ra): 90+, Colour Consistency: 3SDCM
Weight	N/A.
Material	<b>Fixture:</b> extruded marine-grade aluminum with polycarbonate lens.
Supplied with	<b>Cable:</b> 3' (914mm) factory-installed wire lead (for surface mount).
Warranty & LED Life	5 years limited warranty. Estimated useful life of LED is 50,000 hours.

### Ordered Separately

System Components	<b>Power supplies:</b> remote driver Please consult factory or visit <a href="#">Recommended Drivers</a> for available driver options.
-------------------	---

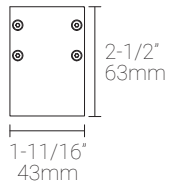
Mounting Options & Dimensions

LED Fixture Dimensions | Surface-mount

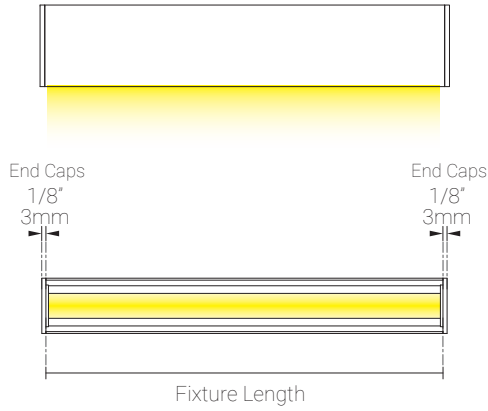
Fixture

Side View

3D View



Side View

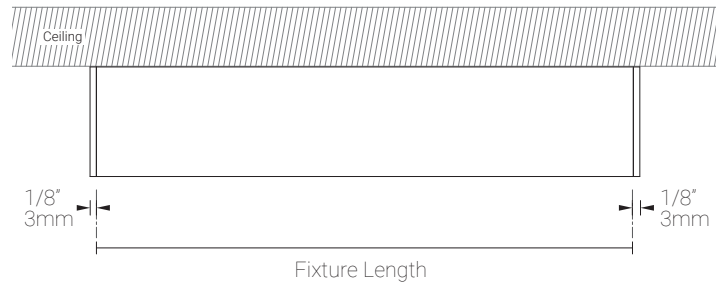
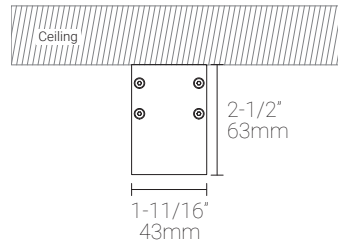
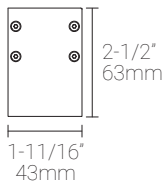


Surface-mount Installation

Fixture

Fixture installed - Side

Fixture installed - Front

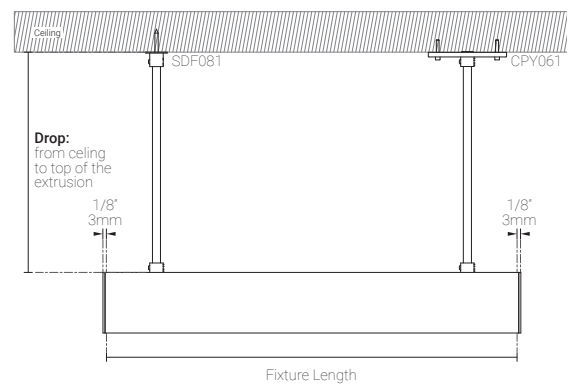
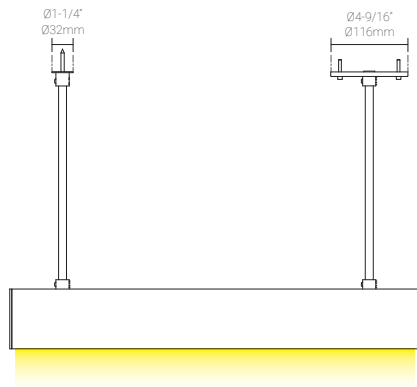
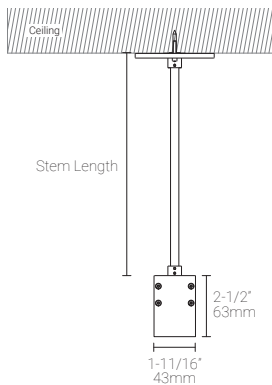


Suspended-mount Installation

Fixture

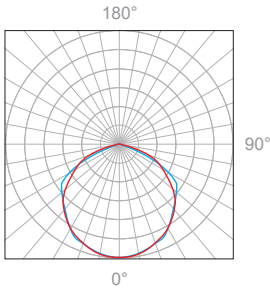
Mounting Dimensions

Fixture installed

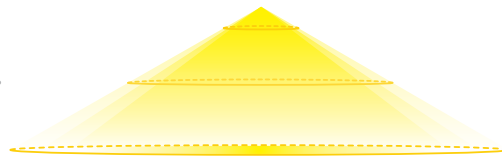


I107 7W/ft, 4' (1219mm), 3000K, 90+ CRI

Polar Candela Distribution



Beam Width: 120°



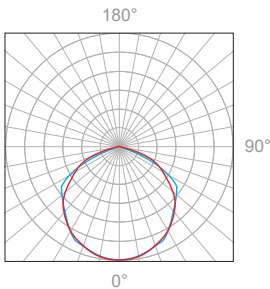
Illuminance at a Distance

Distance		Center Beam fc	Beam Width			
1.5ft	0.46m	317fc	7.7ft	2.34m	3.0ft	0.91m
3.0ft	0.91m	79.1fc	15.4ft	4.70m	5.9ft	1.80m
4.5ft	1.37m	35.2fc	23.0ft	7.01m	8.9ft	2.71m
6.0ft	1.83m	19.8fc	30.7ft	9.35m	11.8ft	3.59m
7.5ft	2.29m	12.7fc	38.4ft	11.70m	14.8ft	4.51m
9.0ft	2.74m	8.79fc	46.1ft	14.05m	17.7ft	5.39m

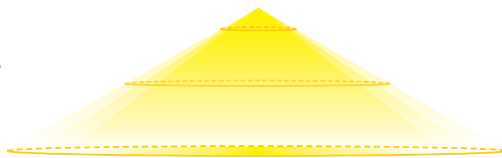
Delivered Lumen: 485.7 lm (1ft), 1,593.0 lm (1m), 1,942.7 lm (4ft)  
 ■ Vertical Beam Spread : 137.3°  
 ■ Horizontal Beam Spread : 89.1°

I107 10W/ft, 4' (1219mm), 3000K, 90+ CRI

Polar Candela Distribution



Beam Width: 120°



Illuminance at a Distance

Distance		Center Beam fc	Beam Width			
1.5ft	0.46m	399fc	7.6ft	2.31m	2.9ft	0.88m
3.0ft	0.91m	99.7fc	15.1ft	4.60m	5.9ft	1.80m
4.5ft	1.37m	44.3fc	22.7ft	6.92m	8.8ft	2.68m
6.0ft	1.83m	24.9fc	30.2ft	9.20m	11.8ft	3.59m
7.5ft	2.29m	15.9fc	37.8ft	11.52m	14.7ft	4.48m
9.0ft	2.74m	11.1fc	45.4ft	13.83m	17.7ft	5.39m

Delivered Lumen: 612.5 lm (1ft), 2,009.1 lm (1m), 2,450.1 lm  
 ■ Vertical Beam Spread : 136.7°  
 ■ Horizontal Beam Spread : 89.0°

Appendix

Aluminum Finishes, Mounts, and Accessories | I107



MA matte clear anodized surface mounted



BA black anodized surface mounted



MA matte clear anodized suspension mounted



BA black anodized suspension mounted