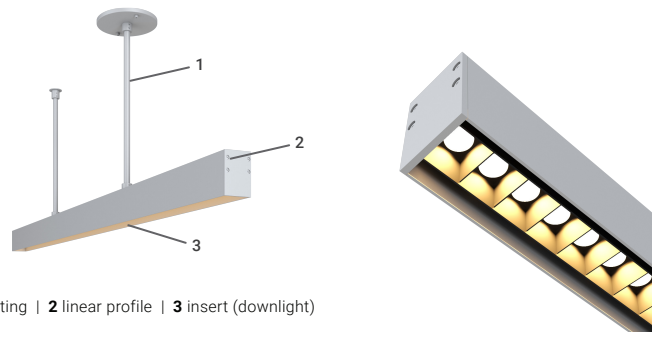


L800 series | L802-I167

INTERIOR

Linear | Linear beam series with different insert options

- Dry location



1 mounting | 2 linear profile | 3 insert (downlight)

Performance

Insert	Wattage	Forward Current	Power Consumption Budget per fixture (including driver)	LED output (Source)	Fixture Output (Delivered)
I167	12W/ft	500mA	14W/ft	1320 lm/ft	616-631 lm/ft

Application

Environment	Dry Location approved. IP 50.
Mounting	Surface-mounted: Mounts directly to surface or recessed mount with mounting screws (supplied by others). Suspension-mounted: Suspended from ceiling with a stand off and a canopy (both ordered separately).

Electrical

Power Supplies	Remote LED drivers (120-277V AC input, constant voltage output): Fixtures to be wired in parallel. Recommended drivers (consult factory): TLDAV100W24V04iB or TLDAV100W24V05iB.
Control	Dimming: ELV or 0-10V dimming with appropriate drivers. Other options (consult factory): TRIAC/MLV, DMX, DALI, Casambi, Power over Ethernet.

Luminaire Construction

LED Light Source	W22S = CCT: 2200K, CRI (Ra): 80+, Colour Consistency: 3SDCM W27H = CCT: 2700K, CRI (Ra): 90+, Colour Consistency: 2SDCM W30H = CCT: 3000K, CRI (Ra): 90+, Colour Consistency: 2SDCM W35H = CCT: 3500K, CRI (Ra): 90+, Colour Consistency: 2SDCM W41H = CCT: 4100K, CRI (Ra): 90+, Colour Consistency: 3SDCM
Weight	N/A.
Material	Fixture: extruded marine-grade aluminum with polycarbonate lens.
Supplied with	Cable: 3' (914mm) factory-installed wire lead (for surface mount).
Warranty & LED Life	5 years limited warranty. Estimated useful life of LED is 50,000 hours.

Ordered Separately

System Components	Power supplies: remote driver Please consult factory or visit Recommended Drivers for available driver options.
-------------------	---

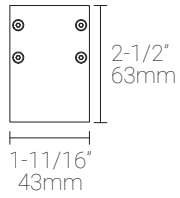
Mounting Options & Dimensions

LED Fixture Dimensions | Surface-mount

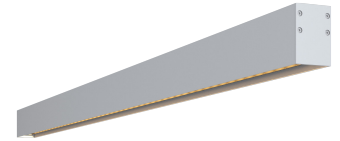
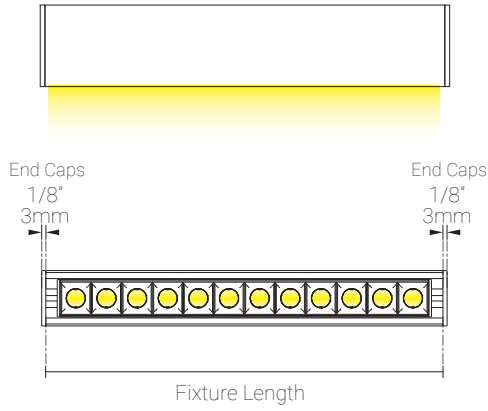
Fixture

Side View

3D View



Side View

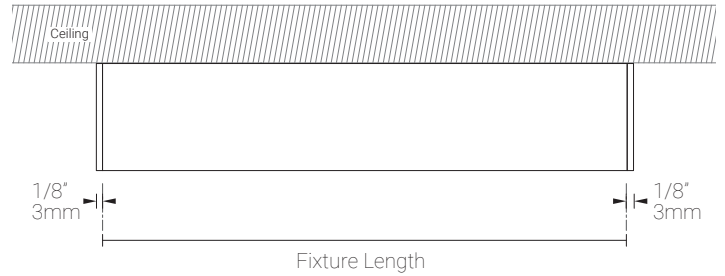
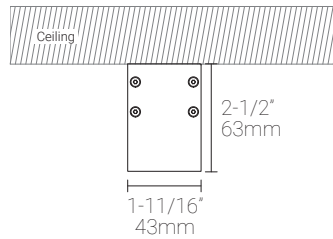
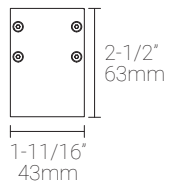


Surface-mount Installation

Fixture

Fixture installed - Side

Fixture installed - Front

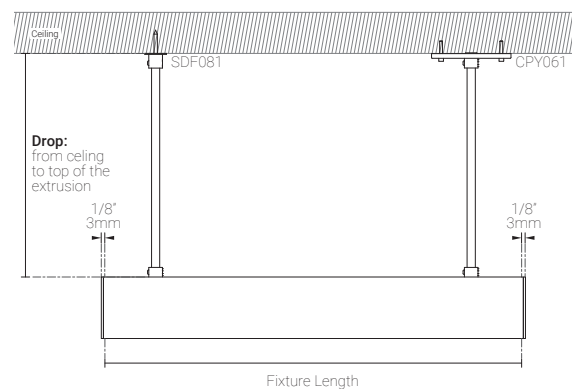
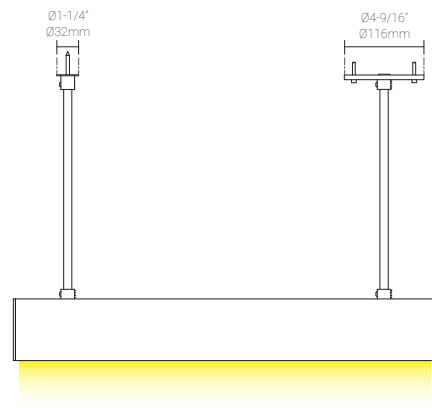
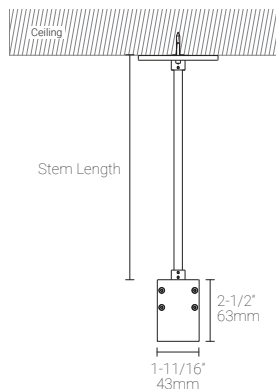


Suspended-mount Installation

Fixture

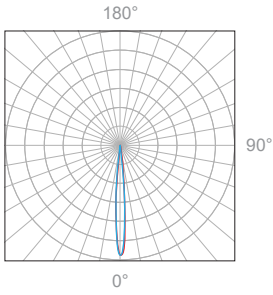
Mounting Dimensions

Fixture installed



I167 12W/ft, 4' (1219mm), 2700K, 90+ CRI

Polar Candela Distribution



Beam Width: 12°



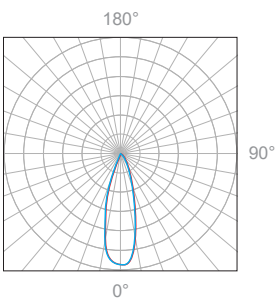
Illuminance at a Distance

Distance		Center Beam fc	Beam Width			
1.5ft	0.46m	4478fc	1.5ft	0.45m	0.5ft	0.15m
3.0ft	0.91m	1119fc	2.9ft	0.88m	1.0ft	0.30m
4.5ft	1.37m	498fc	4.4ft	1.34m	1.5ft	0.45m
6.0ft	1.83m	280fc	5.8ft	1.76m	2.0ft	0.61m
7.5ft	2.29m	179fc	7.3ft	2.22m	2.5ft	0.76m
9.0ft	2.74m	124fc	8.7ft	2.65m	3.0ft	0.91m

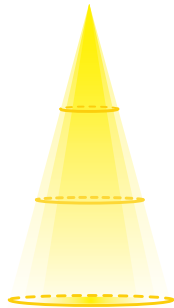
Delivered Lumen: 824.4 lm (1ft), 2704.0 lm (1m), 3297.6 lm (4ft)

- Vertical Beam Spread : 51.7°
- Horizontal Beam Spread : 18.7°

Polar Candela Distribution



Beam Width: 30°



Illuminance at a Distance

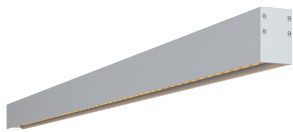
Distance		Center Beam fc	Beam Width			
1.5ft	0.46m	2731fc	1.6ft	0.48m	0.8ft	0.24m
3.0ft	0.91m	683fc	3.2ft	0.97m	1.5ft	0.45m
4.5ft	1.37m	303fc	4.8ft	1.46m	2.3ft	0.70m
6.0ft	1.83m	171fc	6.3ft	1.92m	3.1ft	0.94m
7.5ft	2.29m	109fc	7.9ft	2.40m	3.8ft	1.15m
9.0ft	2.74m	75.9fc	9.5ft	2.89m	4.6ft	1.40m

Delivered Lumen: 777.4 lm (1ft), 2704.0 lm (1m), 3109.6 lm (4ft)

- Vertical Beam Spread : 55.7°
- Horizontal Beam Spread : 28.7°

Appendix

Aluminum Finishes, Mounts, and Accessories | I167



MA matte clear anodized surface mounted



BA black anodized surface mounted



MA matte clear anodized suspension mounted



BA black anodized suspension mounted