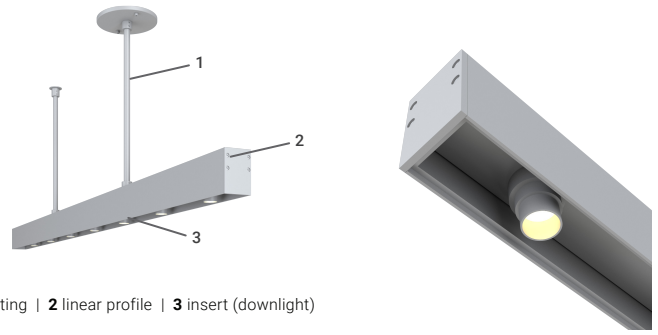


# L800 series | L802-I51

## INTERIOR

Linear | Linear beam series with different insert options

- Dry location



1 mounting | 2 linear profile | 3 insert (downlight)



### Ordering Information

Clear Form

Date : \_\_\_\_\_ Quantity : \_\_\_\_\_

Project : \_\_\_\_\_ Note : \_\_\_\_\_

Type : \_\_\_\_\_

### Specifications

**Fixture comprises of 3 components that need to be specified separately: Mounting (only suspended-mount needs specification), Rail, and Insert**

**Luminaire | Example Code (Suspended):** U-C12-BA // RAL-802-8-BA // I51-1-W35H-N-NA-BA | **(Surface):** RAL-802-8-BA // I51-1-W35H-N-NA-BA

**MOUNTING:**                      Suspended    Surface

#### COMPONENT 1 – MOUNTING (SUSPENDED)

Mounting	Stem Length or Cable Length	Finish (mounting) <sup>1,2</sup>
<b>U</b>		
U suspended	<b>S12</b> 12" (305mm) <b>SX</b> custom <sup>1,1</sup> <b>C12</b> 12" (305mm) <b>CX</b> custom <sup>1,1</sup>	<b>Aluminum Finishes:</b> <b>MA</b> matte clear anodized <b>BA</b> black anodized

#### COMPONENT 3 – INSERT

Insert	Wattage	Spacing <sup>3,1</sup>	CCT & CRI	Beam Angle	Shrouds (Accessories) <sup>3,2</sup>	Finishes
<b>I51</b>						
	<b>1</b> 1W <b>2</b> 2W	<b>S3</b> 3" (76mm) <b>SX</b> custom	<b>Standard (80+) CRI:</b> <b>W22S</b> 2200K 80+  <b>High (90+) CRI:</b> <b>W27H</b> 2700K 90+ <b>W30H</b> 3000K 90+ <b>W35H</b> 3500K 90+ <b>W41H</b> 4100K 90+	<b>S</b> spot, 12° <b>N</b> narrow flood, 30° <b>W</b> wide flood, 120°	<b>NA</b> no accessories <b>FS</b> full shroud	<b>MA</b> matte clear anodized <b>BA</b> black anodized

#### COMPONENT 2 – RAIL

Rail	Fixture Length <sup>2,1</sup>	Finish (rail) <sup>2,3</sup>
<b>RAL-802</b>		
	<b>1</b> 1' (min.) <b>X</b> custom <sup>2,2</sup> <b>8</b> 8' (max.)	<b>Aluminum Finishes:</b> <b>MA</b> matte clear anodized <b>BA</b> black anodized

#### Important Notes

##### Specification

- 1.1 Maximum: 6' (1829mm), 1' (305mm) increments.
- 1.2 Refer to Appendix/MP Lighting website for complete look of luminaire with different finish options.
- 2.1 Fixture length is the length of the fixture without the end caps (3mm each cap).
- 2.2 Maximum: 8' (2438mm), 1' (305mm) increments.
- 2.3 Refer to Appendix/MP Lighting website for complete look of luminaire with different finish options.
- 3.1 Spotlights should be at least 1" (25mm) apart from each other, and 6" (152mm) away from ends of a rail.
- 3.2 Full Shrouds are available for all beam angles. Only spot and narrow flood angles can be made without accessories.

#### System Components (Ordered Separately)

Remote Driver : \_\_\_\_\_

\* Consult MP Lighting Website or Factory.

#### Warranty Notes & Disclaimer

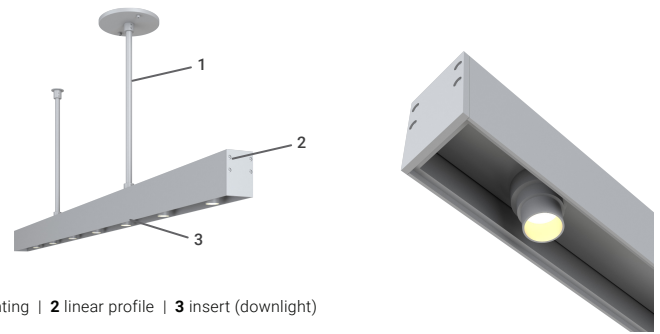
Malfunction and damage to product due to incompatible dimming system or misuse will not be covered under warranty. Consult MP Lighting for recommended drivers. If the fixture has an option to be installed with a dimming control system, consult a dimming system manufacturer with minimum load before installing. MP Lighting reserves the right, at its sole discretion, at any time and without notice, to make design changes to any of our products. Consult MP Lighting website for most updated documentation.

# L800 series | L802-I51

## INTERIOR

Linear | Linear beam series with different insert options

- Dry location



1 mounting | 2 linear profile | 3 insert (downlight)



### Performance

Insert	Wattage	Forward Current	Power Consumption Budget per fixture (including driver)	LED output (Source)	Fixture Output (Delivered)
I51	1W	350mA	1.5W	110 lm	46-78 lm
I51	2W	700mA	3W	220 lm	65-154 lm

### Application

Environment	Dry Location approved. IP 50.
Mounting	<b>Surface-mounted:</b> Mounts directly to surface or recessed mount with mounting screws (supplied by others). <b>Suspension-mounted:</b> Suspended from ceiling with a stand off and a canopy (both ordered separately).

### Electrical

Power Supplies	<b>Recommended drivers (consult factory):</b> TLDAV100W24V04iB or TLDAV100W24V05iB. <b>Remote LED drivers</b> (120-277V AC input, constant current output): Fixtures to be wired in series.
Control	<b>Dimming:</b> ELV or 0-10V dimming with appropriate drivers. <b>Other options (consult factory):</b> TRIAC/MLV, DMX, DALI, Casambi, Power over Ethernet.

### Luminaire Construction

LED Light Source	<b>W22S</b> = CCT: 2200K, CRI (Ra): 80+, Colour Consistency: 3SDCM <b>W27H</b> = CCT: 2700K, CRI (Ra): 90+, Colour Consistency: 2SDCM <b>W30H</b> = CCT: 3000K, CRI (Ra): 90+, Colour Consistency: 2SDCM <b>W35H</b> = CCT: 3500K, CRI (Ra): 90+, Colour Consistency: 2SDCM <b>W41H</b> = CCT: 4100K, CRI (Ra): 90+, Colour Consistency: 3SDCM
Weight	N/A.
Material	<b>Fixture:</b> extruded marine-grade aluminum.
Supplied with	<b>Cable:</b> 3' (914mm) factory-installed wire lead (for surface mount).
Warranty & LED Life	5 years limited warranty. Estimated useful life of LED is 50,000 hours.

### Ordered Separately

System Components	<b>Power supplies:</b> remote driver Please consult factory or visit <a href="#">Recommended Drivers</a> for available driver options.
-------------------	---

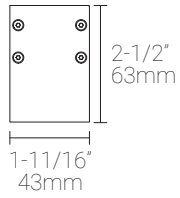
Mounting Options & Dimensions

LED Fixture Dimensions | Surface-mount

Fixture

Side View

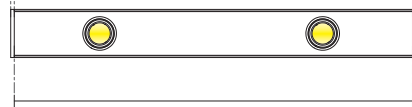
3D View



Side View



Bottom View

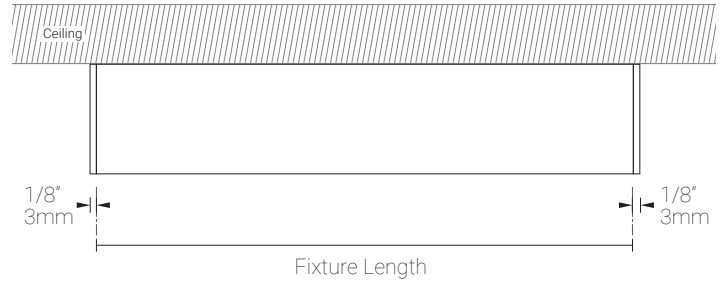
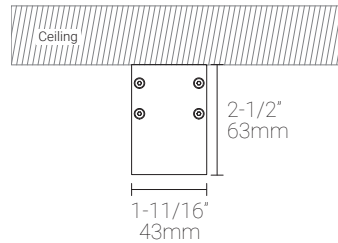
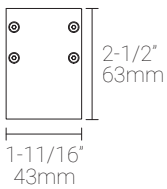


Surface-mount Installation

Fixture

Fixture installed - Side

Fixture installed - Front

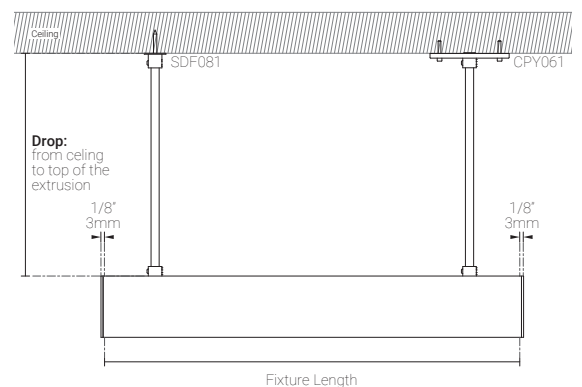
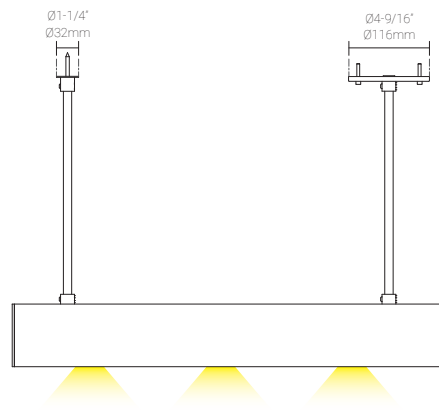
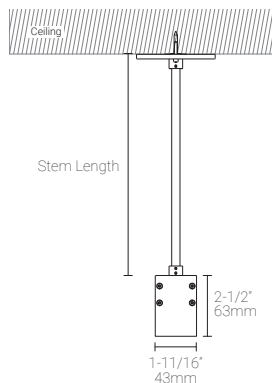


Suspended-mount Installation

Fixture

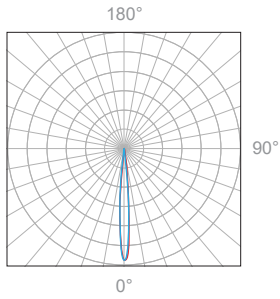
Mounting Dimensions

Fixture installed



I51 1W, 4' (1219mm), 2700K, 90+ CRI

Polar Candela Distribution



Beam Width: 12°



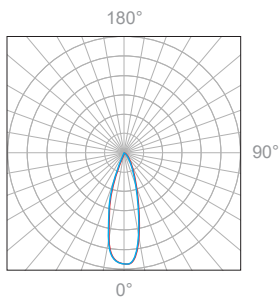
Illuminance at a Distance

Distance		Center Beam fc	Beam Width			
1.5ft	0.46m	695fc	1.7ft	0.52m	0.6ft	0.18m
3.0ft	0.91m	174fc	3.4ft	1.03m	1.1ft	0.33m
4.5ft	1.37m	77.3fc	5.1ft	1.55m	1.7ft	0.52m
6.0ft	1.83m	43.5fc	6.8ft	2.07m	2.2ft	0.67m
7.5ft	2.29m	27.8fc	8.5ft	2.59m	2.8ft	0.85m
9.0ft	2.74m	19.3fc	10.2ft	3.10m	3.3ft	1.00m

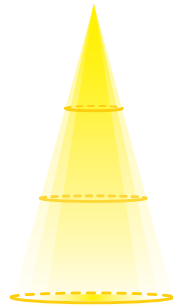
Delivered Lumen: 175.7lm (1ft), 576.3lm (1m), 702.8lm (4ft)

- Vertical Beam Spread : 59.1°
- Horizontal Beam Spread : 20.9°

Polar Candela Distribution



Beam Width: 30°



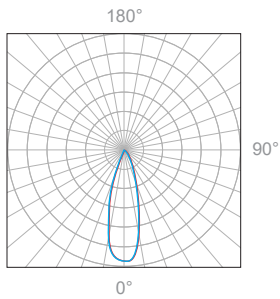
Illuminance at a Distance

Distance		Center Beam fc	Beam Width			
1.5ft	0.46m	677fc	1.6ft	0.48m	0.7ft	0.21m
3.0ft	0.91m	169fc	3.1ft	0.94m	1.3ft	0.39m
4.5ft	1.37m	75.3fc	4.7ft	1.43m	2.0ft	0.61m
6.0ft	1.83m	42.3fc	6.2ft	1.89m	2.6ft	0.79m
7.5ft	2.29m	27.1fc	7.8ft	2.37m	3.3ft	1.00m
9.0ft	2.74m	18.8fc	9.3ft	2.83m	3.9ft	1.18m

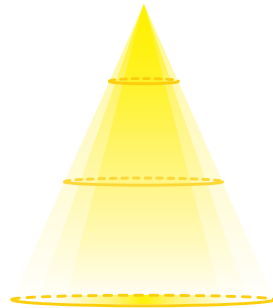
Delivered Lumen: 179.9lm (1ft), 589.9lm (1m), 719.4lm (4ft)

- Vertical Beam Spread : 54.8°
- Horizontal Beam Spread : 24.6°

Polar Candela Distribution



Beam Width: 45°



Illuminance at a Distance

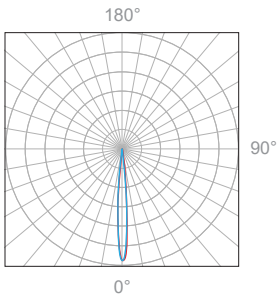
Distance		Center Beam fc	Beam Width			
1.5ft	0.46m	300fc	2.1ft	0.64m	1.2ft	0.36m
3.0ft	0.91m	75.0fc	4.2ft	1.28m	2.3ft	0.70m
4.5ft	1.37m	33.3fc	6.3ft	1.92m	3.5ft	1.06m
6.0ft	1.83m	18.8fc	8.3ft	2.52m	4.7ft	1.43m
7.5ft	2.29m	12.0fc	10.4ft	3.16m	5.9ft	1.79m
9.0ft	2.74m	8.3fc	12.5ft	3.81m	7.0ft	2.13m

Delivered Lumen: 150.4lm (1ft), 493.3lm (1m), 601.6lm (4ft)

- Vertical Beam Spread : 69.7°
- Horizontal Beam Spread : 42.7°

I51 2W, 4' (1219mm), 2700K, 90+ CRI

Polar Candela Distribution



Beam Width: 12°



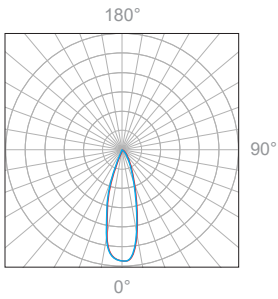
Illuminance at a Distance

Distance		Center Beam fc	Beam Width			
1.5ft	0.46m	1326fc	1.6ft	0.64m	0.5ft	0.36m
3.0ft	0.91m	331fc	3.1ft	1.28m	1.1ft	0.70m
4.5ft	1.37m	147fc	4.7ft	1.92m	1.6ft	1.06m
6.0ft	1.83m	82.8fc	6.3ft	2.52m	2.1ft	1.43m
7.5ft	2.29m	53.0fc	7.8ft	3.16m	2.6ft	1.79m
9.0ft	2.74m	36.8fc	9.4ft	3.81m	3.2ft	2.13m

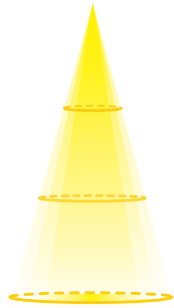
Delivered Lumen: 294.3lm (1ft), 965.3lm (1m), 1177.2lm (4ft)

- Vertical Beam Spread : 55.1°
- Horizontal Beam Spread : 20.0°

Polar Candela Distribution



Beam Width: 30°



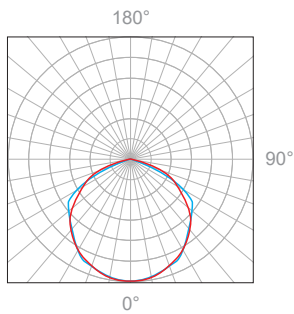
Illuminance at a Distance

Distance		Center Beam fc	Beam Width			
1.5ft	0.46m	1233fc	1.6ft	0.48m	0.6ft	0.18m
3.0ft	0.91m	308fc	3.3ft	1.00m	1.3ft	0.39m
4.5ft	1.37m	137fc	4.9ft	1.49m	1.9ft	0.58m
6.0ft	1.83m	77.0fc	6.5ft	1.98m	2.6ft	0.79m
7.5ft	2.29m	49.3fc	8.2ft	2.50m	3.2ft	0.97m
9.0ft	2.74m	34.2fc	9.8ft	2.98m	3.9ft	1.18m

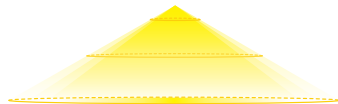
Delivered Lumen: 307.4lm (1ft), 1008.2lm (1m), 1229.5lm (4ft)

- Vertical Beam Spread : 57.1°
- Horizontal Beam Spread : 24.2°

Polar Candela Distribution



Beam Width: 120°



Illuminance at a Distance

Distance		Center Beam fc	Beam Width			
1.5ft	0.46m	549fc	2.0ft	0.61m	1.2ft	0.36m
3.0ft	0.91m	137fc	4.1ft	1.25m	2.4ft	0.73m
4.5ft	1.37m	61fc	6.1ft	1.86m	3.5ft	1.06m
6.0ft	1.83m	34.3fc	8.2ft	2.50m	4.7ft	1.43m
7.5ft	2.29m	22fc	10.2ft	3.11m	5.9ft	1.79m
9.0ft	2.74m	15.2fc	12.3ft	3.75m	7.1ft	2.16m

Delivered Lumen: 264.8lm (1ft), 868.5lm (1m), 1059.1lm (4ft)

- Vertical Beam Spread : 68.5°
- Horizontal Beam Spread : 43°

Appendix

Aluminum Finishes, Mounts, and Accessories | I51



MA matte clear anodized  
surface mounted



BA black anodized  
surface mounted



MA matte clear anodized  
suspension mounted



BA black anodized  
suspension mounted



MA matte clear anodized  
12°/30° FS full shroud



BA black anodized  
12°/30° FS full shroud



MA matte clear anodized  
12°/30° NA no accessories



BA black anodized  
12°/30° NA no accessories



MA matte clear anodized  
120° FS full shroud



BA black anodized  
120° FS full shroud