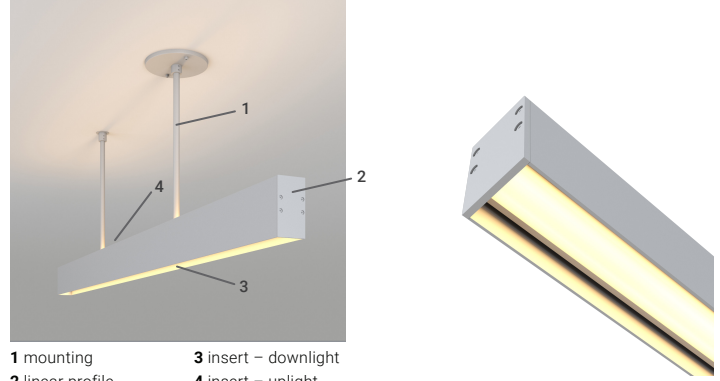


# L800 series | L804-I107

## INTERIOR

Linear | Linear beam series with different insert options

- Dry location



1 mounting  
2 linear profile  
3 insert - downlight  
4 insert - uplight

### Ordering Information

Clear Form

Date : \_\_\_\_\_ Quantity : \_\_\_\_\_

Project : \_\_\_\_\_ Note : \_\_\_\_\_

Type : \_\_\_\_\_

### Specifications

*Fixture comprises of 4 components that need to be specified separately: Mounting, Rail, Uplight Insert, and Downlight Insert*

**Luminaire** | Example Code: U-C12-BA // RAL-804-8-BA // I107-10-W35H-W-F // I107-7-W30H-W-F

#### COMPONENT 1 – MOUNTING (SUSPENDED)

Mounting	Stem Length or Cable Length	Finish (mounting) <sup>1,2</sup>
<b>U</b>		
U suspended	<b>S12</b> 12" (305mm) <b>SX</b> custom <sup>1,1</sup> <b>C12</b> 12" (305mm) <b>CX</b> custom <sup>1,1</sup>	<b>Aluminum Finishes:</b> <b>MA</b> matte clear anodized <b>BA</b> black anodized

#### COMPONENT 2 – RAIL

Rail	Fixture Length <sup>2,1</sup>	Finish (rail) <sup>2,3</sup>
<b>RAL-804</b>		
	<b>1</b> 1' (min.) <b>X</b> custom <sup>2,2</sup> <b>8</b> 8' (max.)	<b>Aluminum Finishes:</b> <b>MA</b> matte clear anodized <b>BA</b> black anodized

#### COMPONENT 3 – INSERT (DOWNLIGHT)

Insert	Wattage	CCT & CRI	Beam Angle	Lens	Finishes
<b>I107</b>			<b>W</b>		
	<b>7</b> 7W/ft <b>10</b> 10W/ft	<b>Standard (80+) CRI:</b> <b>W22S</b> 2200K 80+  <b>High (90+) CRI:</b> <b>W27H</b> 2700K 90+ <b>W30H</b> 3000K 90+ <b>W35H</b> 3500K 90+ <b>W41H</b> 4100K 90+	<b>W</b> wide flood, 120°	<b>F</b> frosted <b>P</b> prismatic	<b>MA</b> matte clear anodized <b>BA</b> black anodized

#### COMPONENT 4 – INSERT (UPLIGHT)

Insert	Wattage	CCT & CRI	Beam Angle	Lens
<b>I107</b>			<b>W</b>	
	<b>7</b> 7W/ft <b>10</b> 10W/ft	<b>Standard (80+) CRI:</b> <b>W22S</b> 2200K 80+  <b>High (90+) CRI:</b> <b>W27H</b> 2700K 90+ <b>W30H</b> 3000K 90+ <b>W35H</b> 3500K 90+ <b>W41H</b> 4100K 90+	<b>W</b> wide flood, 120°	<b>F</b> frosted <b>P</b> prismatic

#### System Components (Ordered Separately)

Remote Driver : \_\_\_\_\_

\* Consult MP Lighting Website or Factory.

#### Important Notes

##### Specification

- Maximum: 6' (1829mm), 1' (305mm) increments.
- Refer to Appendix/MP Lighting website for complete look of luminaire with different finish options.
- Fixture length is the length of the fixture without the end caps (3mm each cap).
- Maximum: 8' (2438mm), 1' (305mm) increments.
- Refer to Appendix/MP Lighting website for complete look of luminaire with different finish options.

##### Warranty Notes & Disclaimer

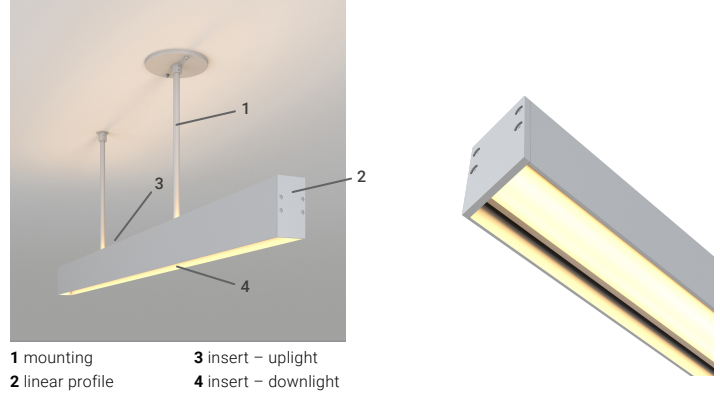
Malfunction and damage to product due to incompatible dimming system or misuse will not be covered under warranty. Consult MP Lighting for recommended drivers. If the fixture has an option to be installed with a dimming control system, consult a dimming system manufacturer with minimum load before installing. MP Lighting reserves the right, at its sole discretion, at any time and without notice, to make design changes to any of our products. Consult MP Lighting website for most updated documentation.

# L800 series | L804-I107

## INTERIOR

Linear | Linear beam series with different insert options

- Dry location



1 mounting  
2 linear profile  
3 insert – uplight  
4 insert – downlight

### Performance

Insert	Wattage	Forward Current	Power Consumption Budget per fixture (including driver)	LED output (Source)	Fixture Output (Delivered)
I107	7W/ft	300mA	8W/ft	770 lm/ft	1404-1677 lm/ft
I107	10W/ft	420mA	11.5W/ft	1100 lm/ft	1498-1944 lm/ft

### Application

Environment	Dry Location approved. IP 50.
Mounting	<b>Suspension-mounted:</b> Suspended from ceiling with a stand off and a canopy (both ordered separately).

### Electrical

Power Supplies	<b>Remote LED drivers</b> (120-277V AC input, constant voltage output): Fixtures to be wired in parallel. <b>Recommended drivers (consult factory):</b> TLDAV100W24V04iB or TLDAV100W24V05iB.
Control	<b>On/off control:</b> Touch Switch or Occupancy Sensor. <b>Dimming:</b> ELV or 0-10V dimming with appropriate drivers. <b>Other options (consult factory):</b> TRIAC/MLV, DMX, DALI, Casambi, Power over Ethernet.

### Luminaire Construction

LED Light Source	<b>W22S</b> = CCT: 2200K, CRI (Ra): 80+, Colour Consistency: 3SDCM <b>W27H</b> = CCT: 2700K, CRI (Ra): 90+, Colour Consistency: 3SDCM <b>W30H</b> = CCT: 3000K, CRI (Ra): 90+, Colour Consistency: 3SDCM <b>W35H</b> = CCT: 3500K, CRI (Ra): 90+, Colour Consistency: 3SDCM <b>W41H</b> = CCT: 4100K, CRI (Ra): 90+, Colour Consistency: 3SDCM
Weight	N/A.
Material	<b>Fixture:</b> extruded marine-grade aluminum with polycarbonate lens.
Supplied with	<b>Cable:</b> 3' (914mm) factory-installed wire lead (for surface mount).
Warranty & LED Life	5 years limited warranty. Estimated useful life of LED is 50,000 hours.

### Ordered Separately

System Components	<b>Power supplies:</b> remote driver Please consult factory or visit <a href="#">Recommended Drivers</a> for available driver options.
-------------------	---

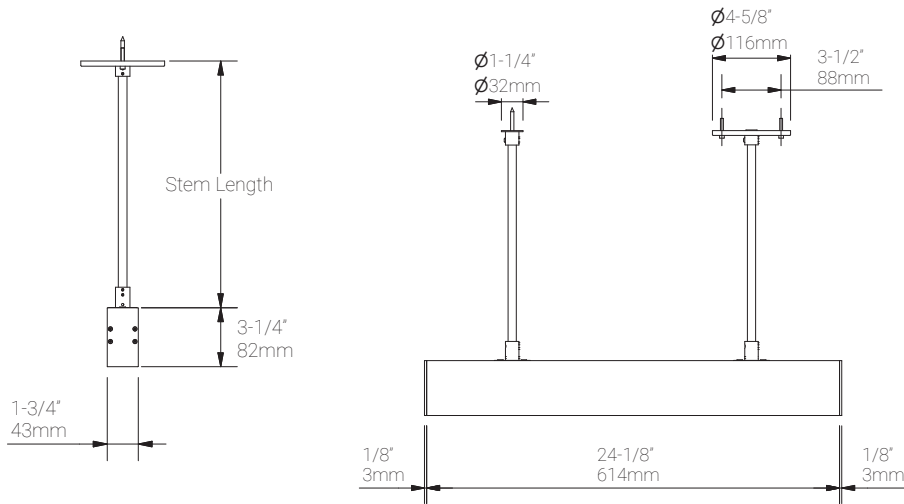
Mounting Options & Dimensions

LED Fixture Dimensions | Suspended-mount

Fixture

Side View

3D View



Appendix

Aluminum Finishes | I107



MA matte clear anodized

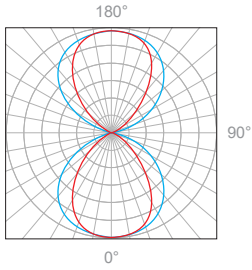


BA black anodized

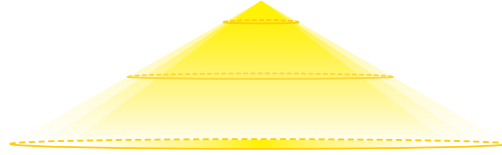
I107 7W/ft, 4' (1219mm), 3000K, 90+ CRI | I107 7W/ft, 4' (1219mm), 3000K, 90+ CRI

Prismatic Lens

Polar Candela Distribution



Beam Width: 120°



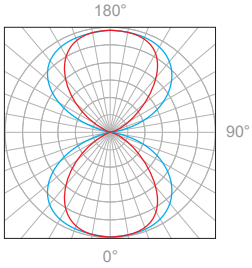
Illuminance at a Distance

Distance		Center Beam fc	Beam Width			
3.0ft	0.91m	130fc	10.2ft	3.10m	4.8ft	1.46m
6.0ft	1.83m	32.5fc	20.5ft	6.24m	9.7ft	2.95m
9.0ft	2.74m	14.5fc	30.7ft	9.35m	14.5ft	4.42m
12ft	3.65m	8.13fc	40.9ft	12.46m	19.4ft	5.91m
15ft	4.57m	5.20fc	51.2ft	15.60m	24.2ft	7.37m
18ft	5.48m	3.61fc	61.4ft	18.71m	29.0ft	8.84m

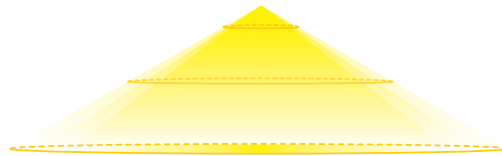
Delivered Lumen: 5619.2 lm  
 ■ Vertical Beam Spread : 119.2°  
 ■ Horizontal Beam Spread : 77.8°

Frosted Lens

Polar Candela Distribution



Beam Width: 120°



Illuminance at a Distance

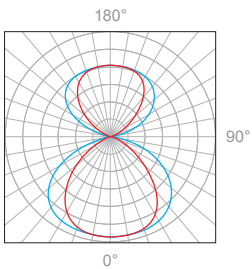
Distance		Center Beam fc	Beam Width			
3.0ft	0.91m	99.2fc	15.1ft	3.68m	7.9ft	2.40m
6.0ft	1.83m	24.8fc	30.1ft	6.12m	15.7ft	4.78m
9.0ft	2.74m	11.0fc	45.2ft	13.77m	23.6ft	7.19m
12ft	3.65m	6.20fc	60.3ft	18.38m	31.5ft	9.60m
15ft	4.57m	3.97fc	75.4ft	22.98m	39.4ft	12.00m
18ft	5.48m	2.75fc	90.4ft	27.55m	47.2ft	14.38m

Delivered Lumen: 5763.8 lm  
 ■ Vertical Beam Spread : 136.6°  
 ■ Horizontal Beam Spread : 105.4°

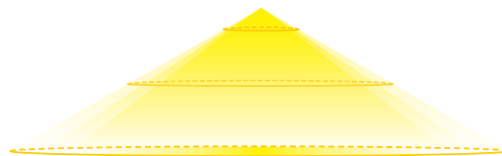
I107 10W/ft, 4' (1219mm), 3000K, 90+ CRI | I107 7W/ft, 4' (1219mm), 3000K, 90+ CRI

Prismatic Lens

Polar Candela Distribution



Beam Width: 120°



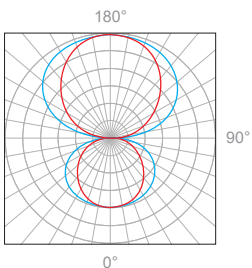
Illuminance at a Distance

Distance		Center Beam fc	Beam Width			
3.0ft	0.91m	180fc	10.2ft	3.10m	4.8ft	1.46m
6.0ft	1.83m	44.9fc	20.5ft	6.24m	9.7ft	2.95m
9.0ft	2.74m	20.0fc	30.7ft	9.35m	14.5ft	4.42m
12ft	3.65m	11.2fc	40.9ft	12.46m	19.4ft	5.91m
15ft	4.57m	7.19fc	51.2ft	15.60m	24.2ft	7.37m
18ft	5.48m	4.99fc	61.4ft	18.71m	29.1ft	8.87m

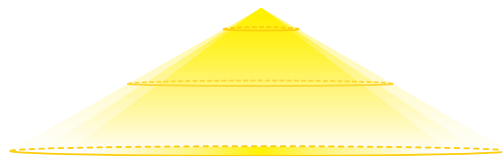
Delivered Lumen: 6712.2 lm  
 ■ Vertical Beam Spread : 119.2°  
 ■ Horizontal Beam Spread : 77.9°

Frosted Lens

Polar Candela Distribution



Beam Width: 120°



Illuminance at a Distance

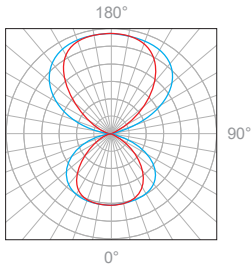
Distance		Center Beam fc	Beam Width			
3.0ft	0.91m	85.7fc	3.1ft	0.94m	8.2ft	2.50m
6.0ft	1.83m	21.4fc	6.3ft	1.92m	16.3ft	4.96m
9.0ft	2.74m	9.53fc	9.4ft	2.86m	24.5ft	7.46m
12ft	3.65m	5.36fc	12.6ft	3.84m	32.7ft	9.96m
15ft	4.57m	3.43fc	15.7ft	4.78m	40.8ft	12.43m
18ft	5.48m	2.38fc	18.9ft	5.76m	49.0ft	14.93m

Delivered Lumen: 5994.0 lm  
 ■ Vertical Beam Spread : 55.3°  
 ■ Horizontal Beam Spread : 107.4°

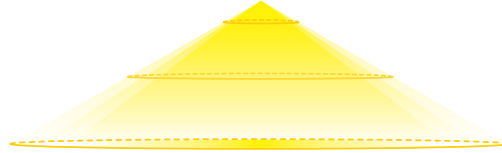
I107 7W/ft, 4' (1219mm), 3000K, 90+ CRI | I107 10W/ft, 4' (1219mm), 3000K, 90+ CRI

Prismatic Lens

Polar Candela Distribution



Beam Width: 120°



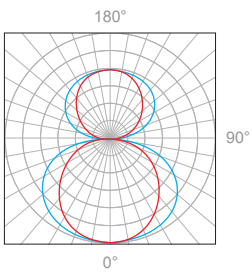
Illuminance at a Distance

Distance		Center Beam fc	Beam Width			
3.0ft	0.91m	130fc	2.6ft	3.10m	5.0ft	1.46m
6.0ft	1.83m	32.6fc	5.2ft	6.24m	10.1ft	2.95m
9.0ft	2.74m	14.5fc	7.8ft	9.35m	15.1ft	4.42m
12ft	3.65m	8.14fc	10.4ft	12.46m	20.1ft	5.91m
15ft	4.57m	5.21fc	13.0ft	15.60m	25.1ft	7.37m
18ft	5.48m	3.62fc	15.6ft	18.71m	30.2ft	8.84m

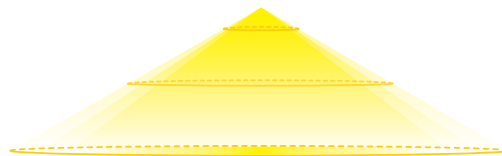
Delivered Lumen: 6708.7 lm  
 ■ Vertical Beam Spread : 47.0°  
 ■ Horizontal Beam Spread : 79.9°

Frosted Lens

Polar Candela Distribution



Beam Width: 120°



Illuminance at a Distance

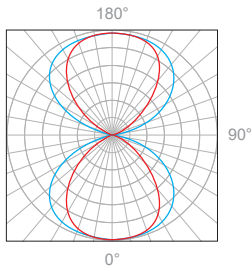
Distance		Center Beam fc	Beam Width			
3.0ft	0.91m	120fc	15.2ft	4.63m	7.9ft	2.40m
6.0ft	1.83m	30.1fc	30.4ft	6.26m	15.9ft	4.84m
9.0ft	2.74m	13.4fc	45.6ft	13.89m	23.8ft	7.25m
12ft	3.65m	7.51fc	60.7ft	18.50m	31.7ft	9.66m
15ft	4.57m	4.81fc	75.9ft	23.13m	39.7ft	12.10m
18ft	5.48m	3.34fc	91.1ft	27.76m	47.6ft	14.50m

Delivered Lumen: 6005.2 lm  
 ■ Vertical Beam Spread : 136.9°  
 ■ Horizontal Beam Spread : 105.8°

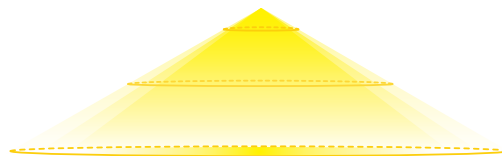
I107 10W/ft, 4' (1219mm), 3000K, 90+ CRI | I107 10W/ft, 4' (1219mm), 3000K, 90+ CRI

Prismatic Lens

Polar Candela Distribution



Beam Width: 120°



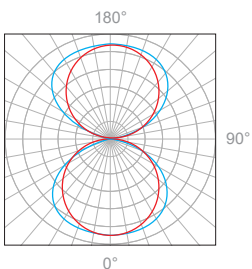
Illuminance at a Distance

Distance		Center Beam fc	Beam Width			
3.0ft	0.91m	180fc	10.2ft	3.10m	4.8ft	1.46m
6.0ft	1.83m	45.0fc	20.5ft	6.24m	9.7ft	2.95m
9.0ft	2.74m	20.0fc	30.7ft	9.35m	14.5ft	4.42m
12ft	3.65m	11.2fc	40.9ft	12.46m	19.4ft	5.91m
15ft	4.57m	7.20fc	51.2ft	15.60m	24.2ft	7.37m
18ft	5.48m	5.00fc	61.4ft	18.71m	29.1ft	8.87m

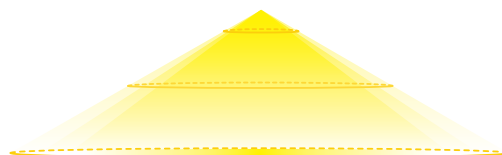
Delivered Lumen: 7778.4 lm  
 ■ Vertical Beam Spread : 119.2°  
 ■ Horizontal Beam Spread : 77.9°

Frosted Lens

Polar Candela Distribution



Beam Width: 120°



Illuminance at a Distance

Distance		Center Beam fc	Beam Width			
3.0ft	0.91m	120fc	15.2ft	4.63m	7.9ft	2.40m
6.0ft	1.83m	30.1fc	30.4ft	6.26m	15.8ft	4.81m
9.0ft	2.74m	13.4fc	45.5ft	13.86m	23.7ft	7.22m
12ft	3.65m	7.51fc	60.7ft	18.50m	31.6ft	9.63m
15ft	4.57m	4.81fc	75.9ft	23.13m	39.5ft	12.04m
18ft	5.48m	3.34fc	91.1ft	27.76m	47.4ft	14.44m

Delivered Lumen: 6975.4 lm  
 ■ Vertical Beam Spread : 136.9°  
 ■ Horizontal Beam Spread : 105.8°