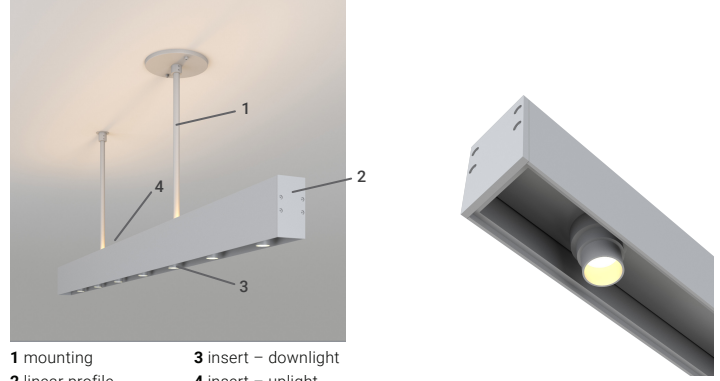


L800 series | L804-I51

INTERIOR

Linear | Linear beam series with different insert options

- Dry location



1 mounting
2 linear profile
3 insert - downlight
4 insert - uplight

Ordering Information

Clear Form

Date : _____

Project : _____

Type : _____

Quantity : _____

Note : _____

Specifications

Fixture comprises of 4 components that need to be specified separately: Mounting, Rail, Uplight Insert, and Downlight Insert
Luminaire | Example Code: U-C12-BA // RAL-804-8-BA // I51-1-W35H-N-NA-BA // I107-7-W30H-W-F

COMPONENT 1 – MOUNTING (SUSPENDED)

Mounting	Stem Length or Cable Length	Finish (mounting) ^{1,2}
U		
U suspended	S12 12" (305mm) SX custom ^{1,1} C12 12" (305mm) CX custom ^{1,1}	Aluminum Finishes: MA matte clear anodized BA black anodized

COMPONENT 2 – RAIL

Rail	Fixture Length ^{2,1}	Finish (rail) ^{2,3}
RAL-804		
	1 1' (min.) X custom ^{2,2} 8 8' (max.)	Aluminum Finishes: MA matte clear anodized BA black anodized

COMPONENT 3 – INSERT (DOWNLIGHT)

Insert	Wattage	CCT & CRI	Beam Angle ^{3,1}	Shrouds (Accessories) ^{3,2}	Finishes
I51					
	1 1W 2 2W	Standard (80+) CRI: W22S 2200K 80+ High (90+) CRI: W27H 2700K 90+ W30H 3000K 90+ W35H 3500K 90+ W41H 4100K 90+	S spot, 12° N narrow flood, 30° W wide flood, 120°	NA no accessories FS full shroud	MA matte clear anodized BA black anodized

COMPONENT 4 – INSERT (UPLIGHT)

Insert	Wattage	CCT & CRI	Beam Angle	Lens
I107			W	
	7 7W/ft 10 10W/ft	Standard (80+) CRI: W22S 2200K 80+ High (90+) CRI: W27H 2700K 90+ W30H 3000K 90+ W35H 3500K 90+ W41H 4100K 90+	W wide flood, 120°	F frosted P prismatic

System Components (Ordered Separately)

Remote Driver : _____

* Consult MP Lighting Website or Factory.

Important Notes

Specification

- Maximum: 6' (1829mm), 1' (305mm) increments.
- Refer to Appendix/MP Lighting website for complete look of luminaire with different finish options.
- Fixture length is the length of the fixture without the end caps (3mm each cap).
- Maximum: 8' (2438mm), 1' (305mm) increments.
- Refer to Appendix/MP Lighting website for complete look of luminaire with different finish options.
- Quantity of spotlights and spacing between spotlights are also required to be specified. Spotlights should be at least 1' apart from each other, and 6" away from ends of a rail.
- Full Shrouds are available for all beam angles. Only spot and narrow flood angles can be made without accessories.

Warranty Notes & Disclaimer

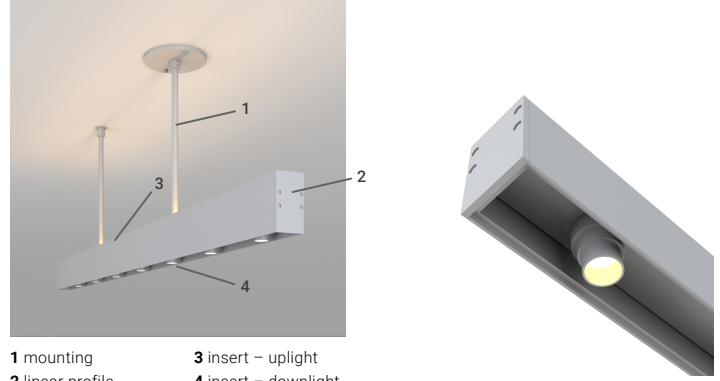
Malfunction and damage to product due to incompatible dimming system or misuse will not be covered under warranty. Consult MP Lighting for recommended drivers. If the fixture has an option to be installed with a dimming control system, consult a dimming system manufacturer with minimum load before installing. MP Lighting reserves the right, at its sole discretion, at any time and without notice, to make design changes to any of our products. Consult MP Lighting website for most updated documentation.

L800 series | L804-I51

INTERIOR

Linear | Linear beam series with different insert options

- Dry location



1 mounting
2 linear profile
3 insert - uplight
4 insert - downlight

Performance

Insert	Wattage	Forward Current	Power Consumption Budget per fixture (including driver)	LED output (Source)	Fixture Output (Delivered)
I51	1W	350mA	1.5W	110 lm	806-1134 lm
I51	2W	700mA	3W	220 lm	882-1263 lm

Application

Environment	Dry Location approved. IP 50.
Mounting	Suspension-mounted: Suspended from ceiling with a stand off and a canopy (both ordered separately).

Electrical

Power Supplies	Recommended drivers (consult factory): TLDAV100W24V04iB or TLDAV100W24V05iB. Remote LED drivers (120-277V AC input, constant current output): Fixtures to be wired in series.
Control	Dimming: ELV or 0-10V dimming with appropriate drivers. Other options (consult factory): TRIAC/MLV, DMX, DALI, Casambi, Power over Ethernet.

Luminaire Construction

LED Light Source	W22S = CCT: 2200K, CRI (Ra): 80+, Colour Consistency: 3SDCM W27H = CCT: 2700K, CRI (Ra): 90+, Colour Consistency: 2SDCM W30H = CCT: 3000K, CRI (Ra): 90+, Colour Consistency: 2SDCM W35H = CCT: 3500K, CRI (Ra): 90+, Colour Consistency: 2SDCM W41H = CCT: 4100K, CRI (Ra): 90+, Colour Consistency: 3SDCM
Weight	N/A.
Material	Fixture: extruded marine-grade aluminum.
Supplied with	Cable: 3' (914mm) factory-installed wire lead (for surface mount).
Warranty & LED Life	5 years limited warranty. Estimated useful life of LED is 50,000 hours.

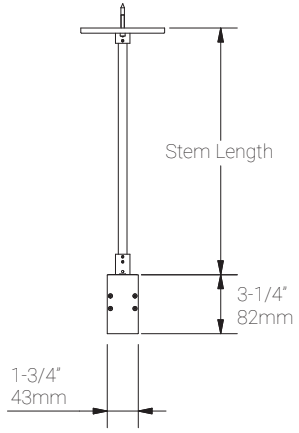
Ordered Separately

System Components	Power supplies: remote driver Please consult factory or visit Recommended Drivers for available driver options.
-------------------	---

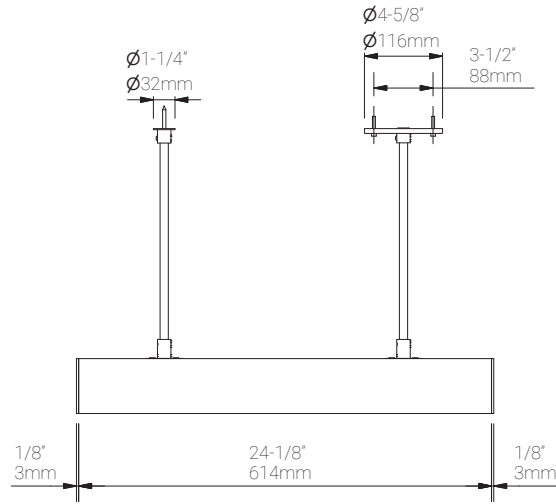
Mounting Options & Dimensions

LED Fixture Dimensions | Suspended-mount

Fixture



Side View

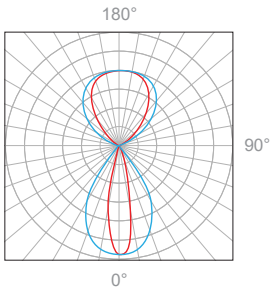


3D View



I51, 1W, 4' (1219mm), 2700K, 90+ CRI | I107, 7W, 4' (1219mm), 2700K, 90+ CRI, Prismatic Lens

Polar Candela Distribution



Beam Width: 12°



Illuminance at a Distance

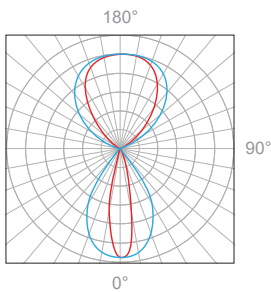
Distance		Center Beam fc	Beam Width			
3.0ft	0.91m	172fc	3.3ft	1.00m	1.0ft	0.30m
6.0ft	1.83m	42.9fc	6.6ft	2.01m	2.1ft	0.64m
9.0ft	2.74m	19.1fc	9.9ft	3.01m	3.1ft	0.94m
12ft	3.65m	10.7fc	13.2ft	4.02m	4.2ft	1.28m
15ft	4.57m	6.86fc	16.5ft	5.03m	5.2ft	1.58m
18ft	5.48m	4.76fc	19.8ft	6.03m	6.3ft	1.92m

Delivered Lumen: 3451.6 lm

Vertical Beam Spread : 57.6°

Horizontal Beam Spread : 19.7°

Polar Candela Distribution



Beam Width: 30°



Illuminance at a Distance

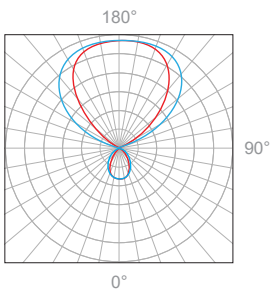
Distance		Center Beam fc	Beam Width			
3.0ft	0.91m	152fc	3.4ft	1.03m	1.2ft	0.36m
6.0ft	1.83m	37.9fc	6.9ft	2.10m	2.4ft	0.73m
9.0ft	2.74m	16.9fc	10.3ft	3.14m	3.7ft	1.12m
12ft	3.65m	9.48fc	13.8ft	4.20m	4.9ft	1.49m
15ft	4.57m	6.07fc	17.2ft	5.24m	6.1ft	1.86m
18ft	5.48m	4.21fc	20.6ft	6.27m	7.3ft	2.22m

Delivered Lumen: 3480.4 lm

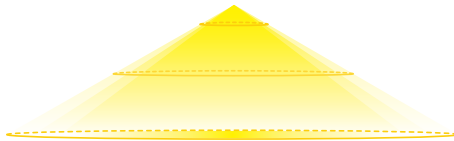
Vertical Beam Spread : 59.7°

Horizontal Beam Spread : 23°

Polar Candela Distribution



Beam Width: 120°



Illuminance at a Distance

Distance		Center Beam fc	Beam Width			
3.0ft	0.91m	28.8fc	2.1ft	0.64m	4.8ft	1.46m
6.0ft	1.83m	7.19fc	4.2ft	1.28m	9.6ft	2.92m
9.0ft	2.74m	3.20fc	6.3ft	1.92m	14.4ft	4.39m
12ft	3.65m	1.80fc	8.4ft	2.56m	19.2ft	5.85m
15ft	4.57m	1.15fc	10.5ft	3.20m	24.0ft	7.31m
18ft	5.48m	0.80fc	12.6ft	3.84m	28.8ft	8.77m

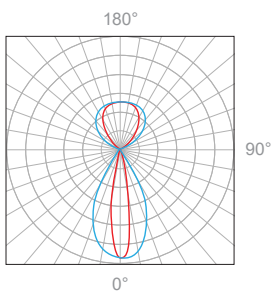
Delivered Lumen: 3225.0 lm

Vertical Beam Spread : 38.7°

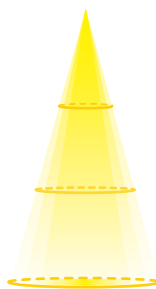
Horizontal Beam Spread : 77.4°

I51, 2W, 4' (1219mm), 2700K, 90+ CRI | I107, 7W, 4' (1219mm), 2700K, 90+ CRI, Prismatic Lens

Polar Candela Distribution



Beam Width: 30°



Illuminance at a Distance

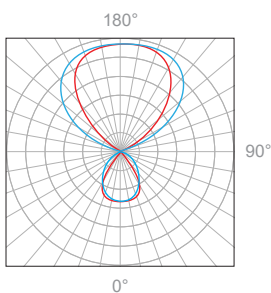
Distance		Center Beam fc	Beam Width			
3.0ft	0.91m	127fc	2.1ft	0.64m	4.8ft	1.46m
6.0ft	1.83m	31.7fc	4.2ft	1.28m	9.6ft	2.92m
9.0ft	2.74m	14.1fc	6.4ft	1.95m	14.5ft	4.41m
12ft	3.65m	7.92fc	8.5ft	2.59m	19.3ft	5.88m
15ft	4.57m	5.07fc	10.6ft	3.23m	24.1ft	7.34m
18ft	5.48m	3.52fc	12.6ft	3.84m	28.9ft	8.80m

Delivered Lumen: 3811.6 lm

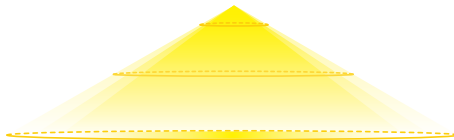
Vertical Beam Spread : 38.9°

Horizontal Beam Spread : 77.6°

Polar Candela Distribution



Beam Width: 120°



Illuminance at a Distance

Distance		Center Beam fc	Beam Width			
3.0ft	0.91m	52.0fc	2.1ft	0.64m	4.8ft	1.46m
6.0ft	1.83m	13.0fc	4.2ft	1.28m	9.6ft	2.92m
9.0ft	2.74m	5.78fc	6.2ft	1.89m	14.4ft	4.38m
12ft	3.65m	3.52fc	8.3ft	2.53m	19.1ft	5.82m
15ft	4.57m	2.08fc	10.4ft	3.17m	23.9ft	7.28m
18ft	5.48m	1.44fc	12.5ft	3.81m	28.7ft	8.74m

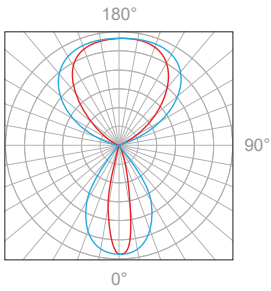
Delivered Lumen: 3528.5 lm

Vertical Beam Spread : 38.3°

Horizontal Beam Spread : 77.1°

I51, 1W, 4' (1219mm), 2700K, 90+ CRI | I107, 10W, 4' (1219mm), 2700K, 90+ CRI, Prismatic Lens

Polar Candela Distribution



Beam Width: 12°

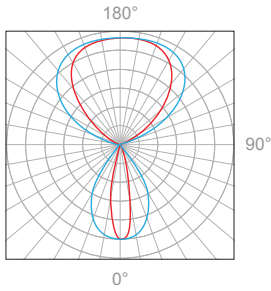


Illuminance at a Distance

Distance		Center Beam fc	Beam Width			
3.0ft	0.91m	172fc	2.1ft	0.64m	4.8ft	1.46m
6.0ft	1.83m	42.9fc	4.1ft	1.25m	9.6ft	2.92m
9.0ft	2.74m	19.1fc	6.2ft	1.89m	14.3ft	4.35m
12ft	3.65m	10.7fc	8.3ft	2.53m	19.1ft	5.82m
15ft	4.57m	6.86fc	10.3ft	3.14m	23.9ft	7.28m
18ft	5.48m	4.76fc	12.4ft	3.78m	28.7ft	8.74m

Delivered Lumen: 4537.6 lm
 ■ Vertical Beam Spread : 38.0°
 ■ Horizontal Beam Spread : 77.1°

Polar Candela Distribution



Beam Width: 30°

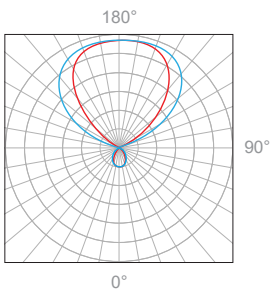


Illuminance at a Distance

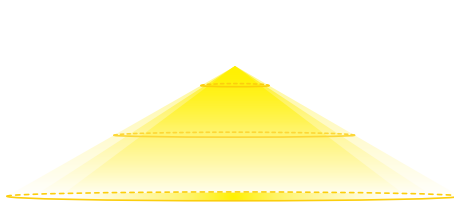
Distance		Center Beam fc	Beam Width			
3.0ft	0.91m	151fc	2.1ft	0.64m	4.8ft	1.46m
6.0ft	1.83m	37.8fc	4.1ft	1.25m	9.6ft	2.92m
9.0ft	2.74m	16.8fc	6.2ft	1.89m	14.3ft	4.35m
12ft	3.65m	9.45fc	8.3ft	2.53m	19.1ft	5.82m
15ft	4.57m	6.05fc	10.3ft	3.14m	23.9ft	7.28m
18ft	5.48m	4.20fc	12.4ft	3.78m	28.7ft	8.74m

Delivered Lumen: 4538.8 lm
 ■ Vertical Beam Spread : 38.0°
 ■ Horizontal Beam Spread : 77.0°

Polar Candela Distribution



Beam Width: 120°



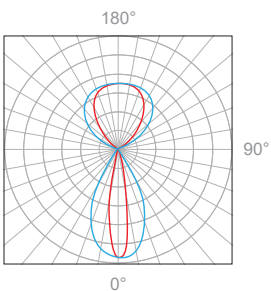
Illuminance at a Distance

Distance		Center Beam fc	Beam Width			
3.0ft	0.91m	28.8fc	2.1ft	0.64m	4.8ft	1.46m
6.0ft	1.83m	7.19fc	4.2ft	1.28m	9.6ft	2.92m
9.0ft	2.74m	3.20fc	6.2ft	1.89m	14.4ft	4.38m
12ft	3.65m	1.80fc	8.3ft	2.53m	19.2ft	5.85m
15ft	4.57m	1.15fc	10.4ft	3.17m	23.9ft	7.28m
18ft	5.48m	0.80fc	12.5ft	3.81m	28.7ft	8.74m

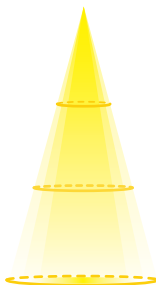
Delivered Lumen: 4306.0 lm
 ■ Vertical Beam Spread : 38.2°
 ■ Horizontal Beam Spread : 77.2°

I51, 2W, 4' (1219mm), 2700K, 90+ CRI | I107, 10W, 4' (1219mm), 2700K, 90+ CRI, Prismatic Lens

Polar Candela Distribution



Beam Width: 30°

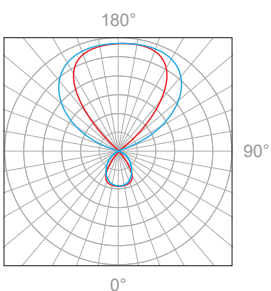


Illuminance at a Distance

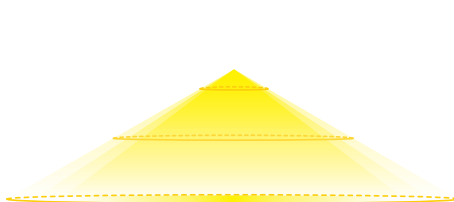
Distance		Center Beam fc	Beam Width			
3.0ft	0.91m	294fc	3.2ft	0.97m	1.3ft	0.39m
6.0ft	1.83m	73.6fc	6.5ft	1.98m	2.5ft	0.76m
9.0ft	2.74m	32.7fc	9.7ft	2.95m	3.8ft	1.15m
12ft	3.65m	18.4fc	13.0ft	3.96m	5.0ft	1.52m
15ft	4.57m	11.8fc	16.2ft	4.93m	6.3ft	1.92m
18ft	5.48m	8.18fc	19.5ft	5.94m	7.5ft	2.28m

Delivered Lumen: 5054.0 lm
 ■ Vertical Beam Spread : 56.8°
 ■ Horizontal Beam Spread : 23.6°

Polar Candela Distribution



Beam Width: 120°



Illuminance at a Distance

Distance		Center Beam fc	Beam Width			
3.0ft	0.91m	51.8fc	2.2ft	0.67m	4.9ft	1.49m
6.0ft	1.83m	13.0fc	4.5ft	1.37m	9.8ft	2.98m
9.0ft	2.74m	5.76fc	6.7ft	2.04m	14.7ft	4.48m
12ft	3.65m	3.24fc	9.0ft	2.74m	19.7ft	6.00m
15ft	4.57m	2.07fc	11.2ft	3.41m	24.6ft	7.49m
18ft	5.48m	1.44fc	13.5ft	4.11m	29.5ft	8.99m

Delivered Lumen: 4619.7 lm
 ■ Vertical Beam Spread : 41.1°
 ■ Horizontal Beam Spread : 78.7°

Appendix

Aluminum Finishes, Mounts, and Accessories | I51



MA matte clear anodized



BA black anodized



MA matte clear anodized
12°/30° FS full shroud



BA black anodized
12°/30° FS full shroud



MA matte clear anodized
12°/30° NA no accessories



BA black anodized
12°/30° NA no accessories



MA matte clear anodized
120° FS full shroud



BA black anodized
120° FS full shroud