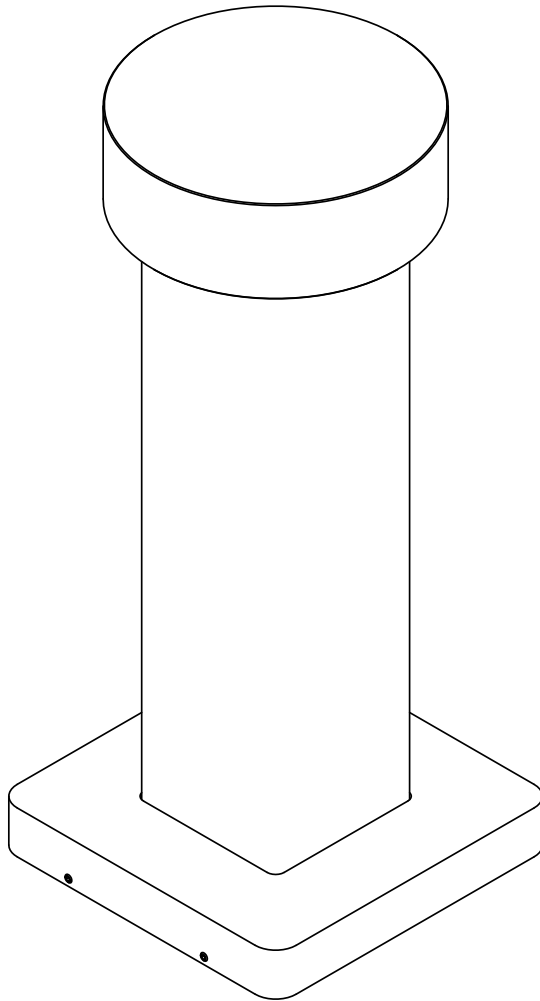


# L921

*Bollard*



# L921

Bollard

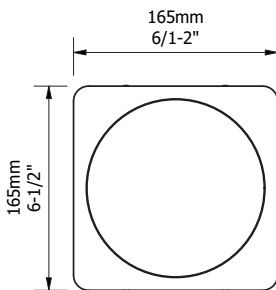
## PARTS

LED fixture x 1  
Mounting plate x 1  
Base plate with bracket x 1  
Base cover x 1  
1/4" Mounting bolts x 4  
1/4" Hex cap nuts & washers x 4  
M6 countersunk screws x 4  
3/4" Flexible conduit (not included)  
M4 set screws x 4

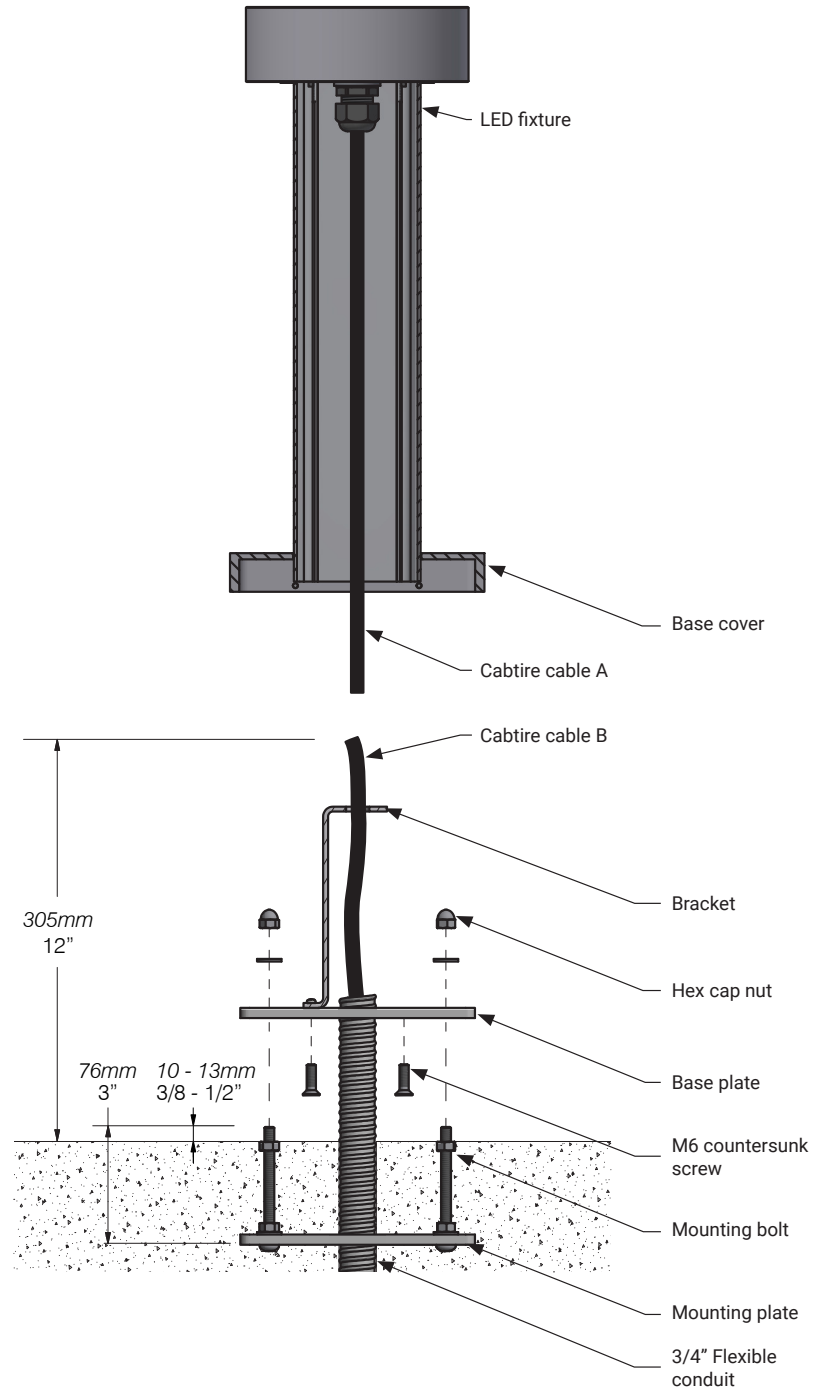
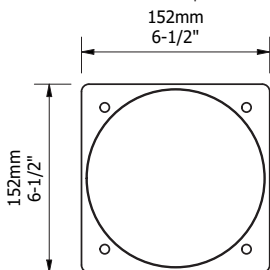
1. Ensure 3/8" to 1/2" (10 to 13mm) of hex bolt screws should remain above finished concrete when positioning mounting plate.
2. Pull 3/4" flexible conduit above
3. Base Plate so it remains above final concrete surface.
4. Pull approximately 12" (305mm) of line voltage cabtire cable (not provided) so cable remains above final concrete surface.

*\*Ground wire in cable is necessary.*

LED fixture with base cover



LED fixture with base plate



# L921

Bollard

## PARTS

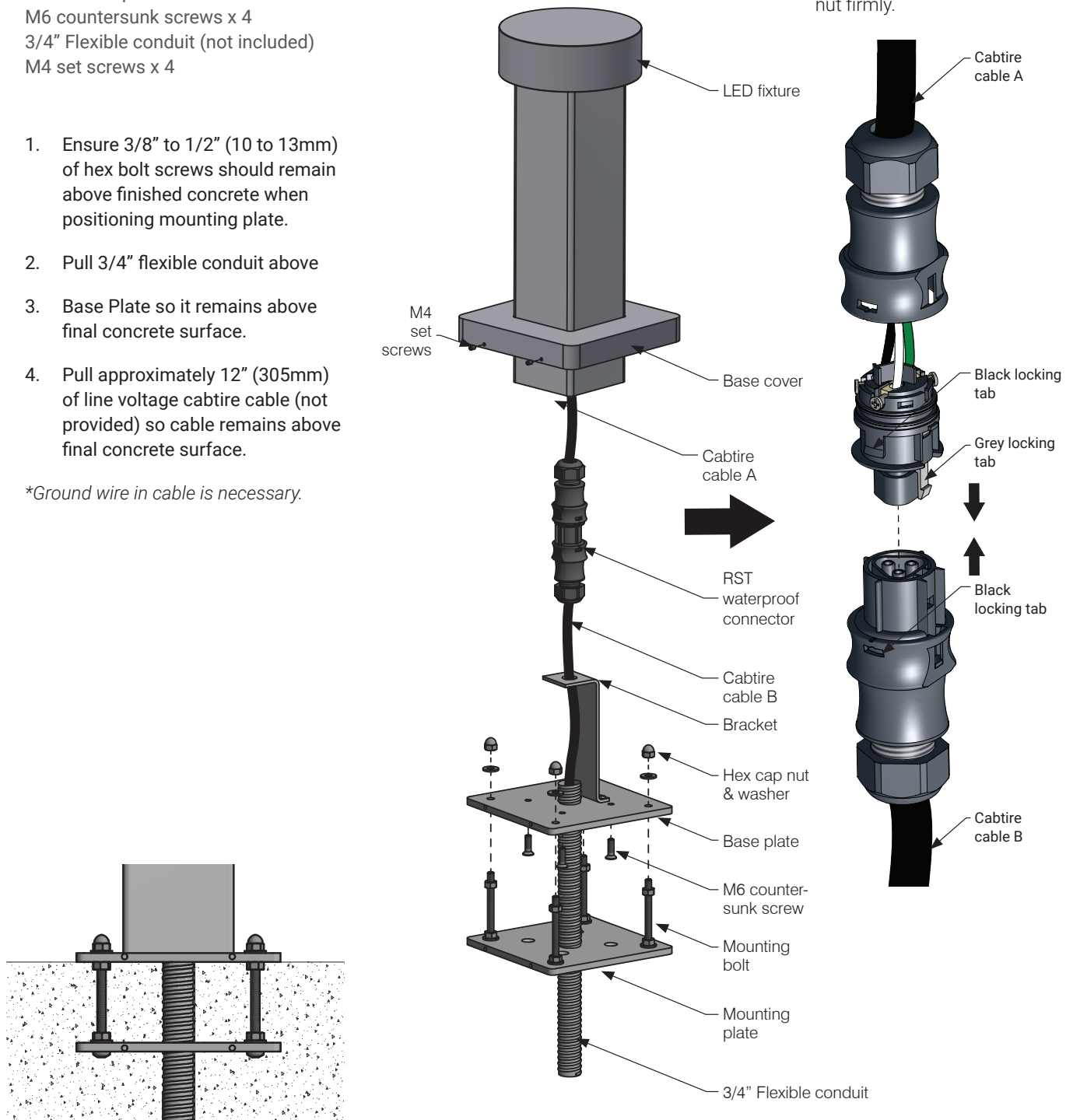
LED fixture x 1  
Mounting plate x 1  
Base plate with bracket x 1  
Base cover x 1  
1/4" Mounting bolts x 4  
1/4" Hex cap nuts & washers x 4  
M6 countersunk screws x 4  
3/4" Flexible conduit (not included)  
M4 set screws x 4

1. Ensure 3/8" to 1/2" (10 to 13mm) of hex bolt screws should remain above finished concrete when positioning mounting plate.
2. Pull 3/4" flexible conduit above
3. Base Plate so it remains above final concrete surface.
4. Pull approximately 12" (305mm) of line voltage cabtire cable (not provided) so cable remains above final concrete surface.

*\*Ground wire in cable is necessary.*

## RST Connector Instructions

- 1) Separate RST connectors by depressing grey locking tab and pulling apart.
- 2) Open connector half way by depressing two black locking tabs.
- 3) Connect line, neutral and ground wires to screw terminals then tighten gland nut firmly.



 MP LIGHTING®

## IMPORTANT SAFETY INSTRUCTIONS

KEEP THESE INSTALLATION INSTRUCTIONS

(Including General and Additional Markings for Fixtures)

(FOR MP LIGHTING LED LUMINAIRES, CLASS 3402-xx)

### General and additional markings

1. For Use Only with Certified/NRTL Driver, Model \_\_\_\_\_
2. DRY LOCATIONS ONLY or OUTDOOR USE ONLY or DRY/OUTDOOR USE ONLY or Outdoor / submersible Use Only - as indicated on fixtures
3. MIN 90 C SUPPLY CONDUCTORS
4. Model L92: SUITABLE FOR MOUNTING WITHIN 1.2 M (4FT) OF THE GROUND
5. Models L01, L03, L04, L05, L06, and L07: SUITABLE FOR USE IN POURED CONCRETE, USE ON CLASS 2 CIRCUIT ONLY
6. Models with Class 2 LED Drivers which are intended for installation for other than Indoor Use Only: CAUTION: CONNECTED ONLY TO A CIRCUIT PROTECTED BY A CLASS A GROUND FAULT CIRCUIT INTERRUPTER

### Installation instructions

1. The grounding installation shall be done in accordance with CEC-Part 1.
2. WARNING: RISK OF FIRE OR ELECTRIC SHOCK: DO NOT MAKE OR ALTER ANY OPENINGS IN THE COMPARTMENT OF WIRING OR ELECTRICAL COMPONENTS DURING INSTALLATION. DO NOT ALTER OR ADD BALLASTS, OR ANY OTHER ELECTRICAL COMPONENTS.
3. INSTALLATION AND USE OF THIS FIXTURE MOUNTING ASSEMBLY REQUIRES A PERSON FAMILIAR WITH THE CONSTRUCTION AND OPERATION OF LUMINAIRE ELECTRICAL SYSTEMS AND THE HAZARD INVOLVED, IF NOT QUALIFIED, DO NOT ATTEMPT INSTALLATION. CONTACT A QUALIFIED ELECTRICIAN.
4. TURN OFF POWER BEFORE INSTALLATION.
5. KEEP THESE INSTALLATION INSTRUCTIONS.

## CONSIGNES DE SÉCURITÉ IMPORTANTES

CONSERVER CES INSTRUCTIONS D'INSTALLATION

(Dont le général et marques supplémentaires pour les appareils)

(Pour les luminaires LED MP D'ÉCLAIRAGE , CLASS 3402 -xx )

### Général et marquages supplémentaires

1. A utiliser uniquement avec Certified / NRTL pilote, modèle \_\_\_\_\_
2. POUR EMPLACEMENTS SECS SEULEMENT ou UTILISATION EXTÉRIEURE SEULEMENT ou SEC / UTILISATION EXTÉRIEURE SEULEMENT ou extérieure / Utilisation submersible seulement - comme indiqué sur les appareils
3. LES FILS D'ALIMENTATION 90 °C MIN
4. Modèle L92: Pour montage moins de 1,2 m (4 pi) DE LA TERRE
5. Modèles L01, L03, L04, L05, L06, L07 et: utilisables dans le béton coulé, UTILISATION DE CLASSE 2 CIRCUIT UNIQUEMENT
6. ATTENTION: CONNECTED UNIQUEMENT À UN CIRCUIT PROTÉGÉ PAR UN DISJONCTEUR DIFFÉRENTIEL DE CLASS A

### Les instructions d'installation

1. L'installation de mise à la terre doit être fait en conformité avec CEC Partie 1.
2. AVERTISSEMENT : RISQUE D'INCENDIE OU D'ÉLECTROCUTION: NE PAS FAIRE OU MODIFIER DES OUVERTURES DANS LE COMPARTIMENT DE CÂBLAGE OU DE COMPOSANTS ÉLECTRIQUES LORS DE L'INSTALLATION. NE PAS MODIFIER OU AJOUTER DES BALLASTS, OU AUTRES COMPOSANTS ÉLECTRIQUES
3. CE PRODUIT DOIT ÊTRE INSTALLÉ SELON LE CODE D'INSTALLATION PERTINENT, PAR UNE PERSONNE QUI CONNAÎT BIEN LE PRODUIT ET SON FONCTIONNEMENT AINSI QUE LES RISQUES INHÉRENTS. CONSULTER UN ÉLECTRICIEN QUALIFIÉ.
4. COUPER LE COURANT AVANT L'INSTALLATION.
5. CONSERVEZ CES INSTRUCTIONS.