

L932

EXTERIOR
Bollard

Wet, Damp, and Dry location



Shown with B3 canopy & PS (Pipe Stake)



Shown with B6 canopy

Ordering Information

Clear Form

Date : _____

Quantity : _____

Project : _____

Note : _____

Type : _____

Specifications

Luminaire | Example Code: L932-B3-PS-1-2-W30H-N-ELB-WS-S6

Product	Canopy	Mounting ¹	Post Length	Wattage	CCT & CRI ²	Beam Angle	Accessories (optional)	Shroud	Finish ³
L932	B3	PS pipe stake	1 1'	1 1W	W22S 2200K 80+ W27H 2700K 90+ W30H 3000K 90+ W35H 3500K 90+ W41H 4100K 90+	S spot 12° N narrow 30°	ELB eggcrate louver	FS full shroud WS wet location shroud	Aluminum Finishes: MA matte clear anodized BA black anodized ⁴ Stainless Steel Finishes: S6 stainless steel (316)
		NM no pipe	2 2'	2 2W					
			3 3'						
Product	Canopy	Mounting	Post Length	Wattage	CCT & CRI ²	Beam Angle	Accessories (optional)	Shroud	Finish ⁶
L932	B6	MK3 mounting kit	1 1'	1 1W	W22S 2200K 80+ W27H 2700K 90+ W30H 3000K 90+ W35H 3500K 90+ W41H 4100K 90+	S spot 12° N narrow 30°	ELB eggcrate louver	FS full shroud WS wet location shroud	Aluminum Finishes: MA matte clear anodized BA black anodized ⁴
		EBX-OCT1 back box	2 2'	2 2W					
		NM no pipe or box	3 3'						

System Components (Ordered Separately)

Remote Driver : _____

* Consult MP Lighting Website or Factory.

Important Notes

Specification

- Default pipe stake length: 18" (457mm), field-cuttable
- Refer to pg.2 - for Light Quality & Colour Consistency details.
- Refer to Appendix or MP Lighting website for complete look of luminaire with different finish options.
- BA (black anodized) needs longer lead time.
- B6 is only available in MA (matte clear anodized) and BA (black anodized).
- Contact factory for S6 (stainless steel 316) option with B6 canopy.

Warranty Notes & Disclaimer

Malfunction and damage to product due to incompatible dimming system or misuse will not be covered under warranty. Consult MP Lighting for recommended drivers. If the fixture has an option to be installed with a dimming control system, consult a dimming system manufacturer with minimum load before installing. MP Lighting reserves the right, at its sole discretion, at any time and without notice, to make design changes to any of our products. Consult MP Lighting website for most updated documentation.

L932

EXTERIOR

Bollard

- Wet, Damp, and Dry location



Shown with B3 canopy & PS (Pipe Stake)



Shown with B6 canopy

Performance

Wattage	Forward Current	Power Consumption Budget per fixture (including driver)	LED output (Source)	Fixture Output (Delivered)
1W	350mA	1.3W	110 lm	47-56 lm
2W	700mA	2.6W	220 lm	90-99 lm

Application

Environment	Wet / Damp / Dry Location approved. IP 66. Wet location shroud (WS) can be specified where proper drainage for water in shroud is required.
Mounting	B3: pushed into ground with PS (pipe stake, optional) or mounts with 1-1/2" OD standard pipe (supplied by others) B6: mounts to standard 4" octagonal back box (supplied by others) or MP Lighting back box (EBX-OCT1, ordered separately) MK3 mounting kit (optional): Recommended for thicker concrete slab and paving stone in-ground installation. Custom rectangular electrical box option is available for stair riser&wall installation. See "Mounting Options & Dimensions," or visit MK3

Electrical

Power Supplies	Remote LED drivers (120-277V AC input, constant current output): Fixtures to be wired in series.
Control	On/off control Dimming: ELV or 0-10V dimming with appropriate drivers Other options (consult factory): TRIAC/MLV, DMX, DALI, Casambi, Power over Ethernet

Luminaire Construction

LED Light Source	W22S = CCT: 2200K, CRI (Ra): 80+, Colour Consistency: 3SDCM W27H = CCT: 2700K, CRI (Ra): 90+, Colour Consistency: 2SDCM W30H = CCT: 3000K, CRI (Ra): 90+, Colour Consistency: 2SDCM W35H = CCT: 3500K, CRI (Ra): 90+, Colour Consistency: 3SDCM (Contact factory for 2SDCM option) W41H = CCT: 4100K, CRI (Ra): 90+, Colour Consistency: 3SDCM
Standard Compliance	✓WELL standard – Feature 58: Color Quality
Weight	N/A
Material	Fixture: machined marine-grade aluminum or stainless steel 316
Supplied with	N/A
Warranty & LED Life	5 years limited warranty Estimated useful life of LED is 50,000 hours.

Ordered Separately

System Components	Power supplies: remote driver Please consult factory or visit Recommended Drivers for available driver options.
-------------------	---

Mounting Options & Dimensions

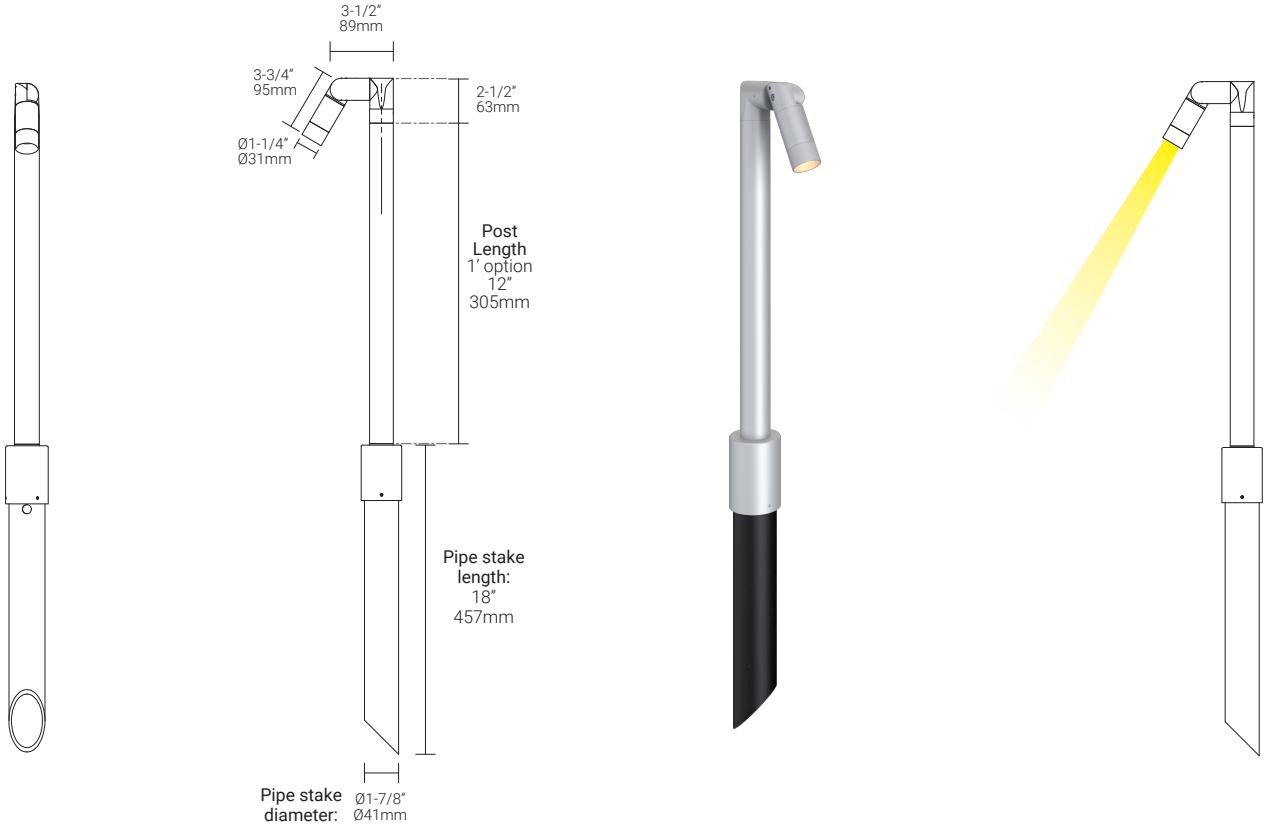
LED Fixture Dimensions

Fixture shown with B3 canopy & PS (pipe stake)

Side View

3D View

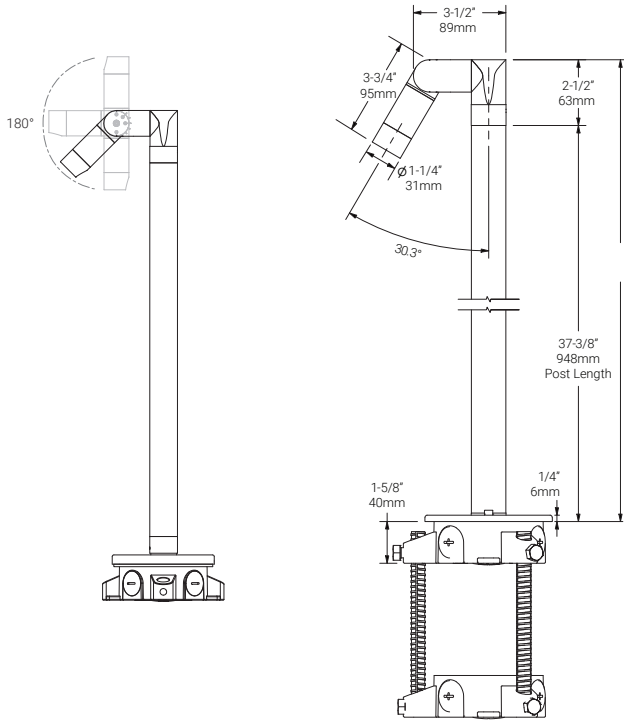
Beam



Mounting Kit

LED Fixture Dimensions

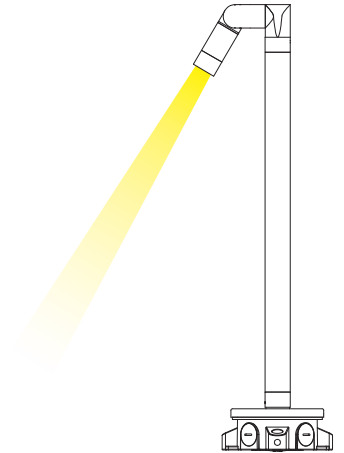
Fixture shown with B6 canopy and back box (EBX-OCT1).



3D View

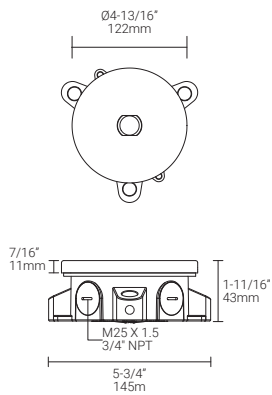


Beam

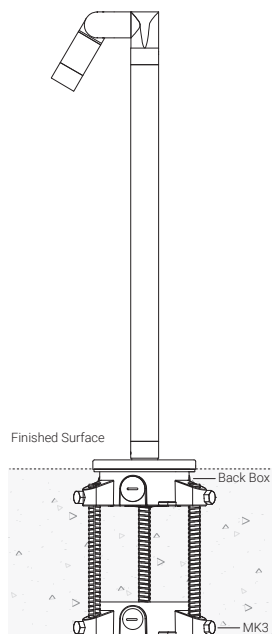


MK3 Installation (shown with MP Lighting Back Box EBX-OCT1)

Back Box (EBX-OCT1) & B6 Canopy Dimension



Back Box (EBX-OCT1) with B6 & MK3: Complete Installation



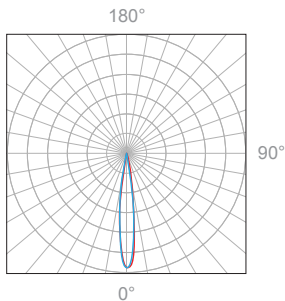
3D View



* Ø1/2" rebar required.

1W, 3000K, 90+ CRI

Polar Candela Distribution



Beam Width: 12°

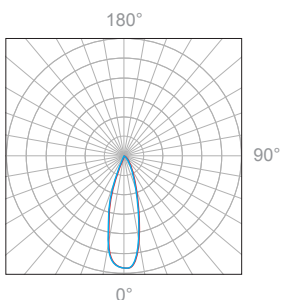


Illuminance at a Distance

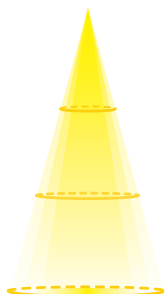
Distance		Center Beam fc	Beam Width			
1.0ft	0.30m	333fc	0.3ft	0.09m	0.3ft	0.09m
2.0ft	0.61m	94fc	0.7ft	0.21m	0.7ft	0.21m
3.0ft	0.91m	41fc	1.0ft	0.30m	1.0ft	0.30m
4.0ft	1.22m	22fc	1.3ft	0.40m	1.3ft	0.40m
5.0ft	1.52m	15fc	1.7ft	0.52m	1.7ft	0.52m
6.0ft	1.83m	10fc	2.1ft	0.64m	2.1ft	0.64m

Delivered Lumen: 65lm
 ■ Vertical Beam Spread: 19.4°
 ■ Horizontal Beam Spread: 19.4°

Polar Candela Distribution



Beam Width: 30°



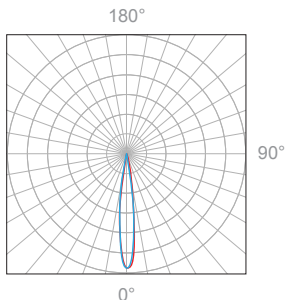
Illuminance at a Distance

Distance		Center Beam fc	Beam Width			
1.0ft	0.30m	209fc	0.5ft	0.15m	0.5ft	0.15m
2.0ft	0.61m	56fc	1.0ft	0.30m	1.0ft	0.30m
3.0ft	0.91m	26fc	1.5ft	0.46m	1.5ft	0.46m
4.0ft	1.22m	14fc	2.0ft	0.61m	2.0ft	0.61m
5.0ft	1.52m	9fc	2.5ft	0.76m	2.5ft	0.76m
6.0ft	1.83m	7fc	3.1ft	0.95m	3.1ft	0.95m

Delivered Lumen: 75lm
 ■ Vertical Beam Spread: 28.5°
 ■ Horizontal Beam Spread: 28.7°

2W, 3000K, 90+ CRI

Polar Candela Distribution



Beam Width: 12°

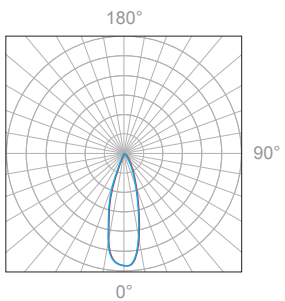


Illuminance at a Distance

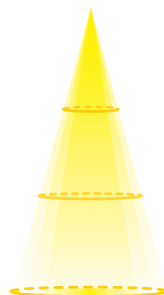
Distance		Center Beam fc	Beam Width			
1.0ft	0.30m	593fc	0.3ft	0.09m	0.3ft	0.09m
2.0ft	0.61m	166fc	0.7ft	0.21m	0.7ft	0.21m
3.0ft	0.91m	70fc	1.0ft	0.30m	1.0ft	0.30m
4.0ft	1.22m	40fc	1.3ft	0.40m	1.3ft	0.40m
5.0ft	1.52m	26fc	1.7ft	0.52m	1.7ft	0.52m
6.0ft	1.83m	18fc	2.0ft	0.61m	2.0ft	0.61m

Delivered Lumen: 129lm
 ■ Vertical Beam Spread: 19.0°
 ■ Horizontal Beam Spread: 19.0°

Polar Candela Distribution



Beam Width: 30°



Illuminance at a Distance

Distance		Center Beam fc	Beam Width			
1.0ft	0.30m	384fc	0.5ft	0.15m	0.5ft	0.15m
2.0ft	0.61m	104fc	1.0ft	0.30m	1.0ft	0.30m
3.0ft	0.91m	45fc	1.5ft	0.46m	1.5ft	0.46m
4.0ft	1.22m	25fc	2.0ft	0.61m	2.0ft	0.61m
5.0ft	1.52m	16fc	2.5ft	0.76m	2.5ft	0.76m
6.0ft	1.83m	12fc	3.0ft	0.91m	3.0ft	0.91m

Delivered Lumen: 149lm
 ■ Vertical Beam Spread: 28.3°
 ■ Horizontal Beam Spread: 28.3°

Appendix

Finish Options | shown with B3 canopy & PS (pipe stake)



MA matte clear anodized



BA black anodized
* Needs longer lead time

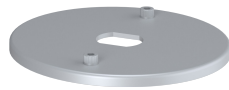


S6 stainless steel 316

Canopy Options



B3

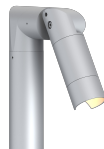


B6

Shroud Options



FS full shroud



WS wet location shroud