

LED10W24VN-01

CONSTANT VOLTAGE

10W, 410mA, non dimmable, 100-240V AC Input

- Dry location



Ordering Information Clear Form

<p>Date : _____</p> <p>Project : _____</p> <p>Type : _____</p>	<p>Quantity : _____</p> <p>Note : _____</p>
----------------------------------------------------------------	---------------------------------------------

Specifications

LED Driver | Example Code: LED10W24VN-01-B

Product	Enclosure
LED10W24VN-01	B
	B driver enclosure

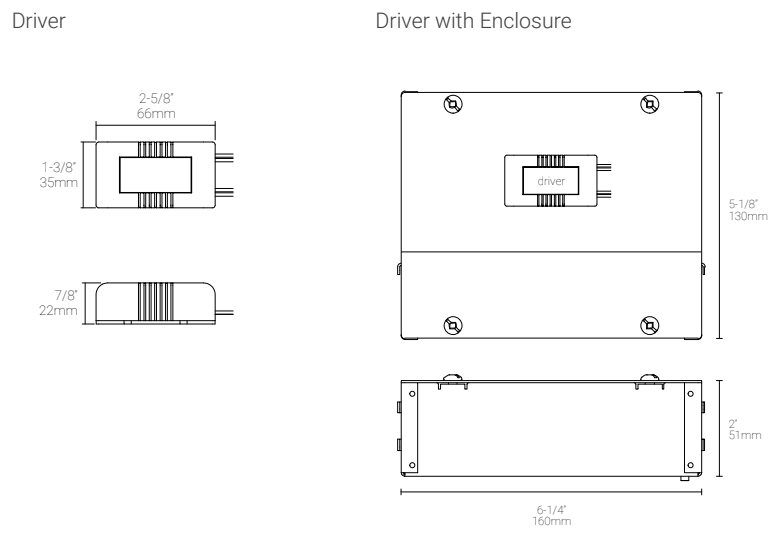
Important Notes

Warranty Notes & Disclaimer

MP Lighting reserves the right, at its sole discretion, at any time and without notice, to make improvements and innovations to any of our products. Consult MP Lighting website for further details.

1. Do not install on-off switch at the output (load) side of a constant current LED driver as it will damage the fixture(s) and will void the warranty on both driver and fixture(s).
2. Fixtures must be wired as per MP Lighting's instruction (series wiring for constant current driver and parallel wiring for constant voltage drivers.) Failures due to improper installation will void warranty.

Dimensions



LED10W24VN-01

CONSTANT VOLTAGE

10W, 410mA, non dimmable, 100-240V AC Input

● Dry location



Performance

Input	Output	Efficiency
Voltage: 100~240V AC, 50/60 Hz	Voltage: 24V	Power Factor: 0.5 minimum.
	Current: 410mA Constant	Typical Efficiency: 66%
	Wattage: 10W maximum	

Controls

Dimming Protocols	Non-dimming.
Dimming Range	-

Recommended Load

Driver Load	LED fixtures (700mA) wired in parallel.
-------------	-----------------------------------------

Application

Environments	Dry Location approved.
Ambient Temperature	-10°C (14°F) minimum
Case Temperature	70°C (158°F) maximum
Driver Protection	Short Circuit & Overload protection
Weight	66.5g (0.15lb)
Case Material	Non-conductive white plastic.

Wiring Diagram

Dimming | For use with LED lighting fixtures (700mA), wired in parallel.

Minimum and Maximum load depends on wattage of fixtures.

