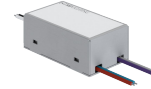


# LED10W600iZ-01

## CONSTANT CURRENT

10W, 600mA, 0-10V dimmable, 120~277V AC Input

○ Damp, and Dry location



### Ordering Information

Clear Form

Date :	_____	Quantity :	_____
Project :	_____	Note :	_____
Type :	_____		_____

### Specifications

LED Driver | Example Code: LED10W600iZ-01-B

Product	Enclosure
LED10W600iZ-01	B
	B driver enclosure

### Important Notes

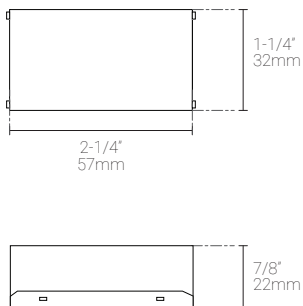
#### Warranty Notes & Disclaimer

MP Lighting reserves the right, at its sole discretion, at any time and without notice, to make improvements and innovations to any of our products. Consult MP Lighting website for further details.

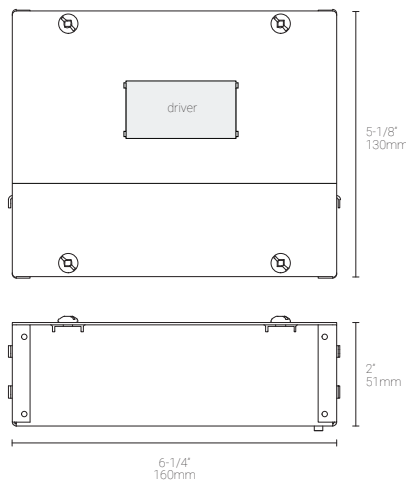
1. Do not install on-off switch at the output (load) side of a constant current LED driver as it will damage the fixture(s) and will void the warranty on both driver and fixture(s).
2. Fixtures must be wired as per MP Lighting's instruction (series wiring for constant current driver and parallel wiring for constant voltage drivers.) Failures due to improper installation will void warranty.

### Dimensions

Driver



Driver with Enclosure (EBX-160-ZP)



# LED10W600iZ-01

## CONSTANT CURRENT

10W, 600mA, 0-10V dimmable, 120V AC Input

○ Damp, and Dry location



### Performance

Input	Output	Efficiency
<b>Voltage:</b> 120~277V AC, 60 Hz	<b>Voltage:</b> 8~13V DC	<b>Power Factor:</b> 0.9 minimum.
	<b>Current:</b> 600mA Constant	<b>Typical Efficiency:</b> 80%
	<b>Wattage:</b> 10W maximum	

### Controls

Dimming Protocols	0-10V dimming at 120V only. Can be used in both dimming & non-dimming systems.
Dimming Range	10%~100%

### Recommended Load

Driver Load

Typically used for 6W or 8W LED fixtures with the load below:

Systems		Load	
Input Voltage	System Dimming Option	Minimum	Maximum
120V only	Dimming	1	1
	Non- Dimming	1	1
120V~277V	Dimming	1	1
	Non- Dimming	1	1

### Application

Environments	Damp / Dry Location approved.
Ambient Temperature	-20°C (-4°F) minimum
Case Temperature	80°C (176°F) maximum
Driver Protection	Short Circuit, Overload & Over-voltage protection
Weight	65g (0.143lb)
Case Material	Aluminum

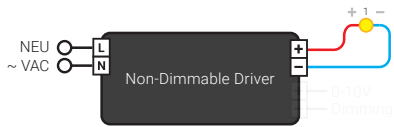
## Wiring Diagram

**Dimming | For use with 1 x 6W or 1 x 8W LED lighting fixtures (600mA), wired in series**



● 600mA LED Lighting Fixture

**Non-Dimming | For use with 1 x 6W or 1 x 8W LED lighting fixtures (600mA), wired in series**



● 600mA LED Lighting Fixture