

# LED12W700iP-01

## CONSTANT CURRENT

12W, 700mA, ELV dimmable, 120V AC Input

○ Damp and Dry location



### Ordering Information

Clear Form

Date :	_____	Quantity :	_____
Project :	_____	Note :	_____
Type :	_____		_____

### Specifications

LED Driver | Example Code: LED12W700iP-01-B

Product	Enclosure
LED12W700iP-01	B
	B driver enclosure

### Important Notes

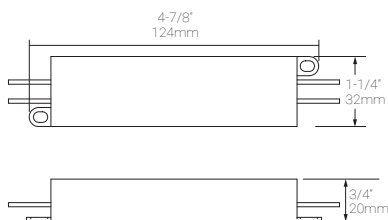
#### Warranty Notes & Disclaimer

MP Lighting reserves the right, at its sole discretion, at any time and without notice, to make improvements and innovations to any of our products. Consult MP Lighting website for further details.

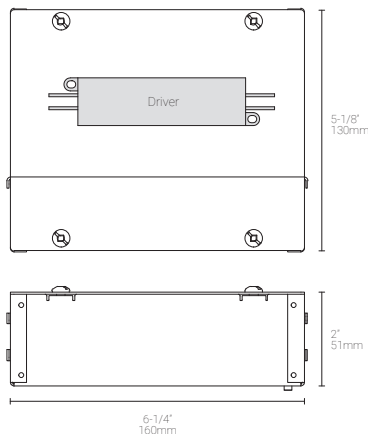
1. Do not install on-off switch at the output (load) side of a constant current LED driver as it will damage the fixture(s) and will void the warranty on both driver and fixture(s).
2. Fixtures must be wired as per MP Lighting's instruction (series wiring for constant current driver and parallel wiring for constant voltage drivers.) Failures due to improper installation will void warranty.

### Dimensions

Driver



Driver with Enclosure (EBX-160-ZP)



# LED12W700iP-01

## CONSTANT CURRENT

12W, 700mA, ELV dimmable, 120V AC Input

○ Damp and Dry location



### Performance

Input	Output	Efficiency
<b>Voltage:</b> 120V AC, 50/60 Hz	<b>Voltage:</b> 5~17V DC	<b>Power Factor:</b> 0.9 minimum.
	<b>Current:</b> 700mA Constant	<b>Typical Efficiency:</b> 80%
	<b>Wattage:</b> 12W maximum	

### Controls

Dimming Protocols	ELV dimmable. Can be used in both dimming & non-dimming systems.
Dimming Range	10%~100%

### Recommended Load

Driver Load Typically used for 2W LED fixtures with the load below:

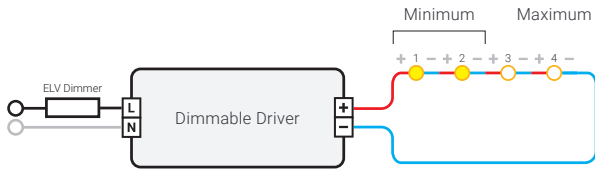
Systems		Load	
Input Voltage	System Dimming Option	Minimum	Maximum
120V only	Dimming	2	4
	Non- Dimming	2	4
> 120V~277V	Dimming	X	X
	Non- Dimming	X	X

### Application

Environments	Damp and Dry Location approved.
Ambient Temperature	-30°C (-22°F) minimum.
Case Temperature	90°C (194°F) maximum.
Driver Protection	Short Circuit, Overload & Over-voltage protection.
Weight	150g (0.33lb).
Case Material	Polycarbonate.

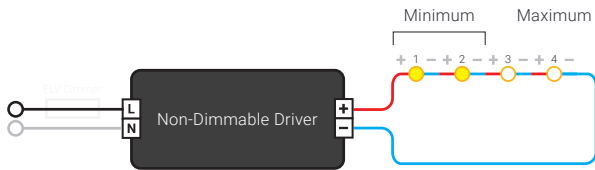
Wiring Diagram

Dimming | For use with 2-4 x 2W LED lighting fixtures (700mA), wired in series



● 700mA LED Lighting Fixture

Non-Dimming | For use with 2-4 x 2W LED lighting fixtures (700mA), wired in series



● 700mA LED Lighting Fixture