

LED15W350iP-01

CONSTANT CURRENT

15W, 350mA, MLV dimmable, 120V AC Input

○ Damp and Dry location



Ordering Information Clear Form

<p>Date : _____</p> <p>Project : _____</p> <p>Type : _____</p>	<p>Quantity : _____</p> <p>Note : _____</p>
--	---

Specifications

LED Driver | Example Code: LED15W350iP-01-B

Product	Enclosure
LED15W350iP-01	B
	B driver enclosure

Important Notes

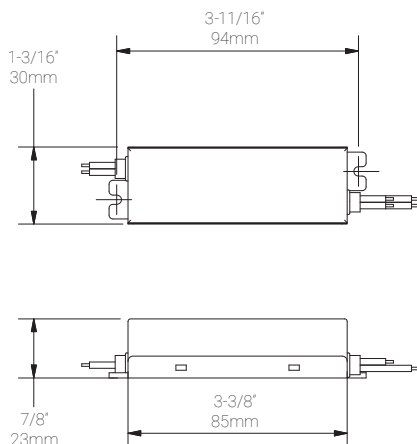
Warranty Notes & Disclaimer

MP Lighting reserves the right, at its sole discretion, at any time and without notice, to make improvements and innovations to any of our products. Consult MP Lighting website for further details.

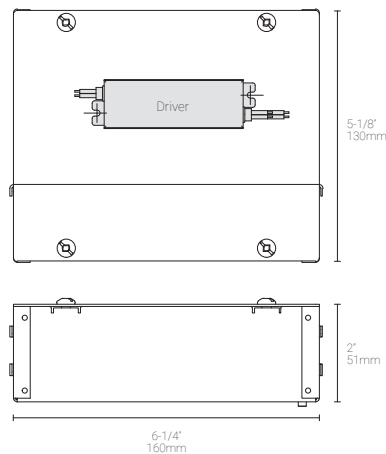
1. Do not install on-off switch at the output (load) side of a constant current LED driver as it will damage the fixture(s) and will void the warranty on both driver and fixture(s).
2. Fixtures must be wired as per MP Lighting's instruction (series wiring for constant current driver and parallel wiring for constant voltage drivers.) Failures due to improper installation will void warranty.

Dimensions

Driver



Driver with Enclosure (EBX-160-ZP)



LED15W350iP-01

CONSTANT CURRENT

15W, 350mA, MLV dimmable, 120V AC Input

○ Damp and Dry location



Performance

Input	Output	Efficiency
Voltage: 120V AC, 60 Hz	Voltage: 20~42V DC	Power Factor: 0.95 minimum.
	Current: 350mA Constant	Typical Efficiency: 80%
	Wattage: 15W maximum	

Controls

Dimming Protocols	MLV dimmable. Can be used in both dimming & non-dimming systems.
Dimming Range	10%~100%

Recommended Load

Driver Load Typically used for 13W LED fixtures with the load below:

Systems		Load	
Input Voltage	System Dimming Option	Minimum	Maximum
120V only	Dimming	1	1
	Non- Dimming	1	1
> 120V~277V	Dimming	X	X
	Non- Dimming	X	X

Application

Environments	Damp and Dry Location approved.
Ambient Temperature	-40°C (-40°F) minimum.
Case Temperature	85°C (185°F) maximum.
Driver Protection	Short Circuit, Overload & Over-voltage protection.
Weight	454g (1lb).
Case Material	Aluminum.

Wiring Diagram

Dimming | For use with 1 x 13 Watt LED lighting fixtures (350mA), wired in series



● 350mA LED Lighting Fixture

Non-Dimming | For use with 1 x 13 Watt LED lighting fixtures (350mA), wired in series



● 350mA LED Lighting Fixture