

LED18W350iZ-01

CONSTANT CURRENT

18W, 350mA, 0-10V dimmable, 120~277V AC Input

○ Damp and Dry location



Ordering Information Clear Form

Date :	Quantity :
Project :	Note :
Type :	

Specifications

LED Driver | Example Code: LED18W350iZ-01-B

Product	Enclosure
LED18W350iZ-01	B
	B driver enclosure

Important Notes

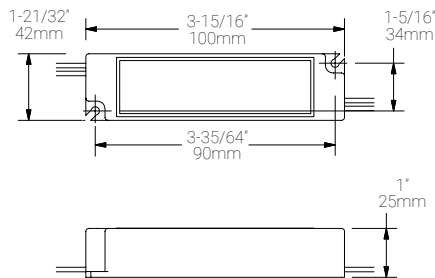
Warranty Notes & Disclaimer

MP Lighting reserves the right, at its sole discretion, at any time and without notice, to make improvements and innovations to any of our products. Consult MP Lighting website for further details.

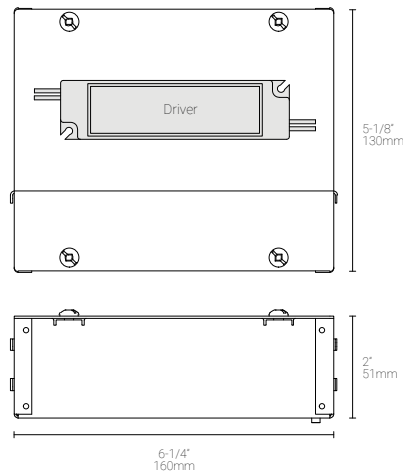
1. Do not install on-off switch at the output (load) side of a constant current LED driver as it will damage the fixture(s) and will void the warranty on both driver and fixture(s).
2. Fixtures must be wired as per MP Lighting's instruction (series wiring for constant current driver and parallel wiring for constant voltage drivers.) Failures due to improper installation will void warranty.

Dimensions

Driver



Driver with Enclosure (EBX-160-ZP)



LED18W350iZ-01

CONSTANT CURRENT

18W, 350mA, 0-10V dimmable, 120V AC Input

○ Damp and Dry location



Performance

Input	Output	Efficiency
Voltage: 120~277V AC, 50/60 Hz	Voltage: 50V max. Current: 350mA constant Wattage: 18W maximum	Power Factor: 0.9 minimum. Typical Efficiency: 80%

Controls

Dimming Protocols	0-10V dimmable. Can be used in both dimming & non-dimming systems.
Dimming Range	10%~100%

Recommended Load

Driver Load

Typically used for 1W LED fixtures with the load below:

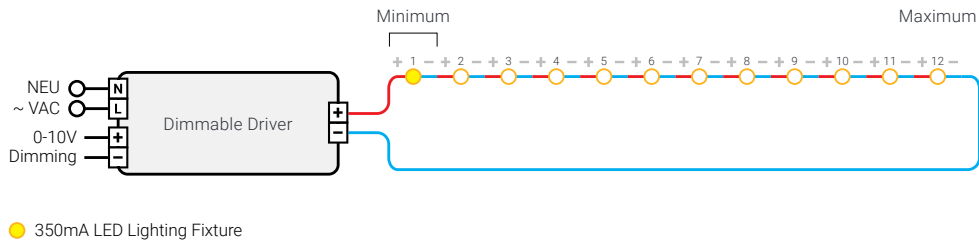
Systems		Load	
Input Voltage	System Dimming Option	Minimum	Maximum
120V only	Dimming	1	12
	Non- Dimming	1	12
> 120V~277V	Dimming	1	12
	Non- Dimming	1	12

Application

Environments	Damp and Dry Location approved.
Ambient Temperature	-20°C (-4°F) minimum.
Case Temperature	80°C (179°F) maximum.
Driver Protection	Short Circuit, Overload & Over-voltage protection.
Weight	140g (0.31lb).
Case Material	Plastic.

Wiring Diagram

Dimming | For use with 1-12 x 1W LED lighting fixtures (350mA), wired in series



Non-Dimming | For use with 1-12 x 1W LED lighting fixtures (350mA), wired in series

