

LED18W700iP-01

CONSTANT CURRENT

18W, 700mA, ELV dimmable, 120-277V AC Input

○ Damp, and Dry location



Ordering Information

Clear Form

Date :	_____	Quantity :	_____
Project :	_____	Note :	_____
Type :	_____		_____

Specifications

LED Driver | Example Code: LED18W700iP-01-B

Product	Enclosure
LED18W700iP-01	B
	B driver enclosure

Important Notes

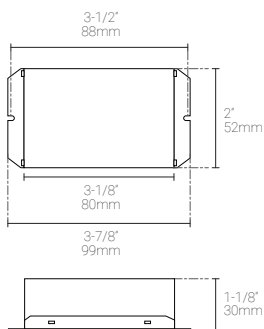
Warranty Notes & Disclaimer

MP Lighting reserves the right, at its sole discretion, at any time and without notice, to make improvements and innovations to any of our products. Consult MP Lighting website for further details.

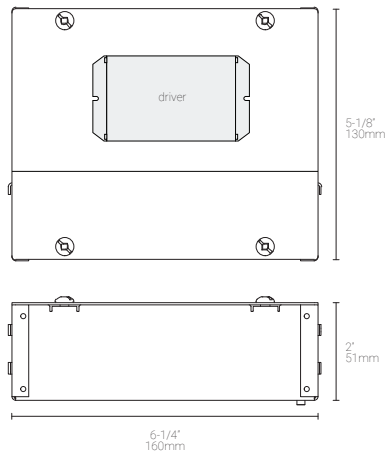
1. Do not install on-off switch at the output (load) side of a constant current LED driver as it will damage the fixture(s) and will void the warranty on both driver and fixture(s).
2. Fixtures must be wired as per MP Lighting's instruction (series wiring for constant current driver and parallel wiring for constant voltage drivers.) Failures due to improper installation will void warranty.

Dimensions

Driver



Driver with Enclosure (EBX-160-ZP)



LED18W700iP-01

CONSTANT CURRENT

18W, 700mA, ELV dimmalbe, 120-277V AC Input

○ Damp, and Dry location



Performance

Input	Output	Efficiency
Voltage: 120~277V AC, 50/60 Hz	Voltage: 4~26V DC	Power Factor: 0.9 minimum.
	Current: 700mA Constant	Typical Efficiency: 80%
	Wattage: 18W maximum	

Controls

Dimming Protocols	ELV dimming at 120V only. Can be used in both dimming & non-dimming systems.
Dimming Range	10%~100%

Recommended Load

Driver Load Typically used for 2W LED fixtures with the load below:

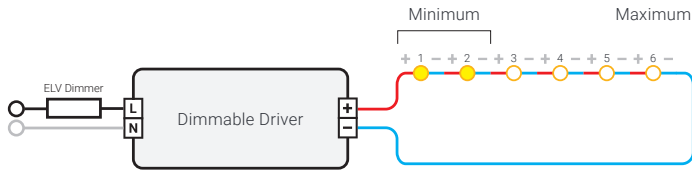
Systems		Load	
Input Voltage	System Dimming Option	Minimum	Maximum
120V only	Dimming	2	6
	Non- Dimming	2	6
> 120V~277V	Dimming	X	X
	Non- Dimming	2	6

Application

Environments	Damp / Dry Location approved.
Ambient Temperature	-30°C (-22°F) minimum
Case Temperature	80°C (176°F) maximum
Driver Protection	Short Circuit, Overload & Over-voltage protection
Weight	255g (0.56lb)
Case Material	Steel

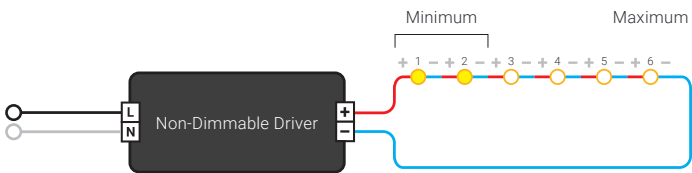
Wiring Diagram

Dimming | For use with 2-6 x 2W LED lighting fixtures (700mA), wired in series



● 700mA LED Lighting Fixture

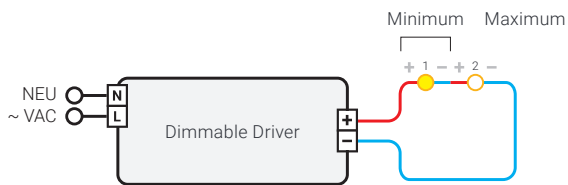
Non-Dimming | For use with 2-6 x 2W LED lighting fixtures (700mA), wired in series



● 700mA LED Lighting Fixture

Wiring Diagram | 8W

Dimming | For use with 1-2 x 8W LED lighting fixtures (700mA), wired in series



● 700mA LED Lighting Fixture