

LED22W350iZ-01

CONSTANT CURRENT PROGRAMMABLE
 22W, 350mA, 0-10V dimmable, 120~277V AC Input

○ Damp and Dry location



Ordering Information

Clear Form

Date : _____
 Project : _____
 Type : _____

Quantity : _____
 Note : _____

Specifications

LED Driver | Example Code: LED22W350iZ-01-B

Product	Enclosure
LED22W350iZ-01	B
	B driver enclosure

Important Notes

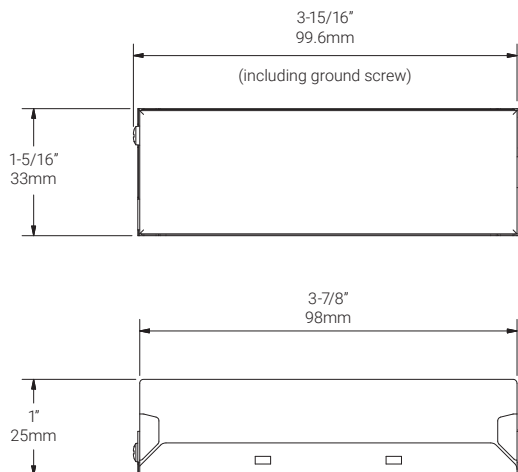
Warranty Notes & Disclaimer

MP Lighting reserves the right, at its sole discretion, at any time and without notice, to make improvements and innovations to any of our products. Consult MP Lighting website for further details.

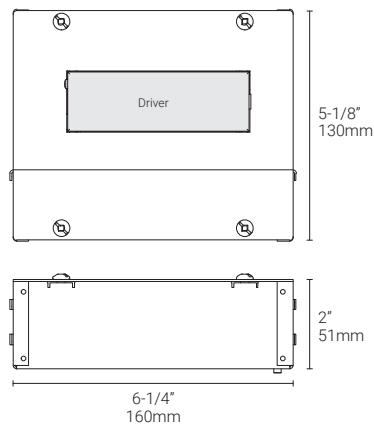
1. Do not install on-off switch at the output (load) side of a constant current LED driver as it will damage the fixture(s) and will void the warranty on both driver and fixture(s).
2. Fixtures must be wired as per MP Lighting's instruction (series wiring for constant current driver and parallel wiring for constant voltage drivers.) Failures due to improper installation will void warranty.

Dimensions

Driver



Driver with Enclosure (EBX-160-ZP)



LED22W350iZ-01

CONSTANT CURRENT PROGRAMMABLE

22W, 350mA, 0-10V dimmable, 120~277V AC Input

○ Damp and Dry location



Performance

Input	Output	Efficiency
Voltage: 120~277V AC, 50/60 Hz	Voltage: 2~42V DC	Power Factor: 0.95 minimum.
	Current: 350mA Constant	Typical Efficiency: 83%
	Wattage: 22W maximum	

Controls

Dimming Protocols	0-10V dimmable. Can be used in both dimming & non-dimming systems.
Dimming Range	1%~100%

Recommended Load

Driver Load	Typically used for a single 13W LED fixture.
-------------	--

Application

Environments	IP20. Damp and Dry Location approved.
Ambient Temperature	-20°C (-4°F) to 50°C (-122°F)
Case Temperature	75°C (167°F) maximum.
Driver Protection	Short Circuit, Overload & Over-voltage protection.
Weight	226g (0.50lb)
Case Material	Metal.