

# LED25W350iZ-01

**CONSTANT CURRENT PROGRAMMABLE**  
25W, 350mA, 0-10V dimmable, 120~277V AC Input



○ Damp and Dry location



## Ordering Information Clear Form

<p>Date : _____</p> <p>Project : _____</p> <p>Type : _____</p>	<p>Quantity : _____</p> <p>Note : _____</p>
--	---

## Specifications

LED Driver | Example Code: LED25W350iZ-01-B

Product	Enclosure
LED25W350iZ-01	<b>B</b>
	B driver enclosure

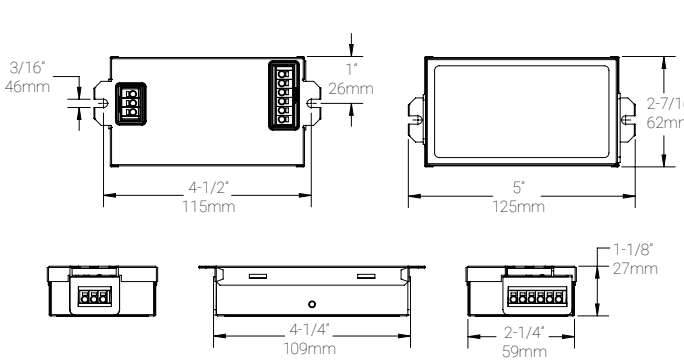
### Important Notes

**Warranty Notes & Disclaimer**  
MP Lighting reserves the right, at its sole discretion, at any time and without notice, to make improvements and innovations to any of our products. Consult MP Lighting website for further details.

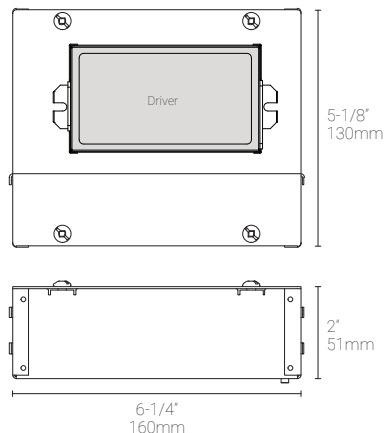
- Do not install on-off switch at the output (load) side of a constant current LED driver as it will damage the fixture(s) and will void the warranty on both driver and fixture(s).
- Fixtures must be wired as per MP Lighting's instruction (series wiring for constant current driver and parallel wiring for constant voltage drivers.) Failures due to improper installation will void warranty.

## Dimensions

Driver



Driver with Enclosure (EBX-160-ZP)



# LED25W350iZ-01

## CONSTANT CURRENT PROGRAMMABLE

25W, 350mA, 0-10V dimmable, 120~277V AC Input

○ Damp and Dry location



### Performance

Input	Output	Efficiency
<b>Voltage:</b> 120~277V AC, 60 Hz	<b>Voltage:</b> 8~55V DC	<b>Power Factor:</b> 0.9 minimum.
	<b>Current:</b> 350mA Constant	<b>Typical Efficiency:</b> 86%
	<b>Wattage:</b> 25W maximum	

### Controls

Dimming Protocols	0-10V dimmable. Can be used in both dimming & non-dimming systems.
Dimming Range	1%~100%

### Recommended Load

Driver Load Typically used for 3-14 1W LED fixtures with the load below:

Systems		Load	
Input Voltage	System Dimming Option	Minimum	Maximum
120V only	Dimming	3	14
	Non- Dimming	3	14
> 120V~277V	Dimming	3	14
	Non- Dimming	3	14

### Application

Environments	IP20. Damp and Dry Location approved.
Ambient Temperature	-30°C (-22°F) to 50°C (-122°F)
Case Temperature	90°C (194°F) maximum.
Driver Protection	Short Circuit, Overload & Over-voltage protection.
Weight	226g (0.50lb)
Case Material	Metal.

## Wiring Diagram

Dimming | For use with 3-14 x 1W LED lighting fixtures (350mA), wired in series

