

LED4W700iN-01

CONSTANT CURRENT

4W, 700mA, non-dimmable, 100-277V AC Input

○ Damp, and Dry location



Ordering Information

Clear Form

Date :	_____	Quantity :	_____
Project :	_____	Note :	_____
Type :	_____		_____

Specifications

LED Driver | Example Code: LED4W700iN-01-B

Product	Enclosure
LED4W700iN-01	B
	B driver enclosure

Important Notes

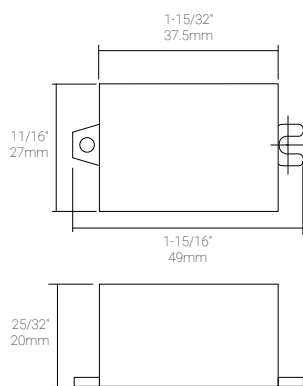
Warranty Notes & Disclaimer

MP Lighting reserves the right, at its sole discretion, at any time and without notice, to make improvements and innovations to any of our products. Consult MP Lighting website for further details.

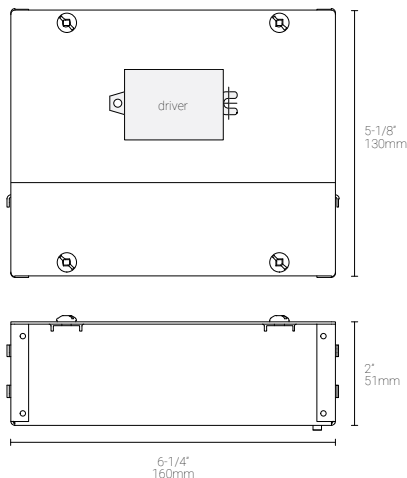
1. Do not install on-off switch at the output (load) side of a constant current LED driver as it will damage the fixture(s) and will void the warranty on both driver and fixture(s).
2. Fixtures must be wired as per MP Lighting's instruction (series wiring for constant current driver and parallel wiring for constant voltage drivers.) Failures due to improper installation will void warranty.

Dimensions

Driver



Driver with Enclosure (EBX-160-ZP)



LED4W700iN-01

CONSTANT CURRENT

4W, 700mA, non-dimmable, 100-277V AC Input

○ Damp, and Dry location



Performance

Input	Output	Efficiency
Voltage: 100~277V AC, 50/60 Hz	Voltage: 2.8~6.5V DC	Power Factor: 0.9 minimum.
	Current: 700mA Constant	Typical Efficiency: 80%
	Wattage: 4W maximum	

Controls

Dimming Protocols	Not dimmable.
Dimming Range	-

Recommended Load

Driver Load

Typically used for 1W LED fixtures with the load below:

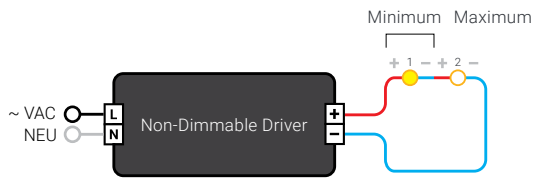
Systems		Load	
Input Voltage	System Dimming Option	Minimum	Maximum
100V only	Dimming	X	X
	Non- Dimming	1	2
> 100V~277V	Dimming	X	X
	Non- Dimming	1	2

Application

Environments	Damp / Dry Location approved.
Ambient Temperature	-25°C (-13°F) minimum
Case Temperature	85°C (185°F) maximum
Driver Protection	Short Circuit, Overload & Over-voltage protection
Weight	40g (0.1lb)
Case Material	Non-conductive black plastic.

Wiring Diagram

Non-Dimming | For use with 1-2 x 1W LED lighting fixtures (700mA), wired in series



● 350mA LED Lighting Fixture